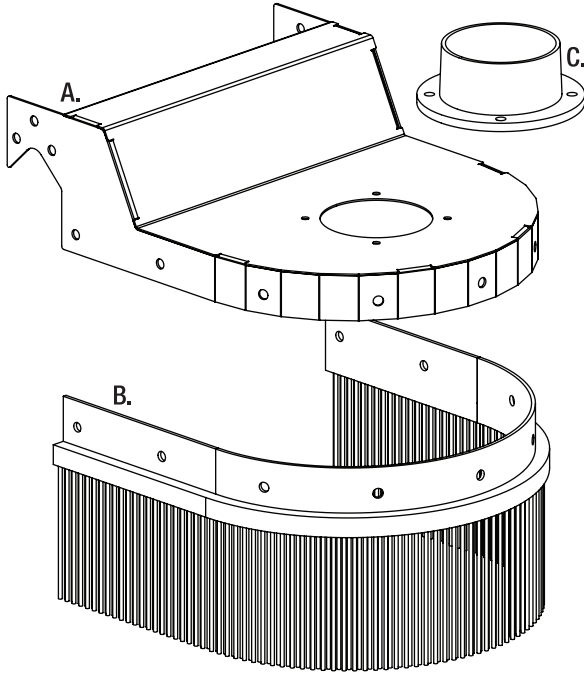


Woodpeckers[®]

SLAB FLATTENING MILL

DUST COLLECTION SHROUD

O W N E R ' S M A N U A L



- A. (1) Shroud Housing
- B. (1) Rubber Strip Bristles
- C. (1) Dust Port

- (9) 10-32 x 1/2 Black Torx Screw
- (9) 10-32 USS Washer
- (9) 10-32 Lock Nut
- (4) 8-32 Self Tapping Screws
- (6) 10-32 Thread Forming Torx Screw
- (1) 10-32 Torx Bit

Woodpeckers Slab Flattening Mill Dust Collection Shroud captures the majority of chips and dust created when milling slabs. It attaches easily to the router carriage and has a 2-1/2" connector for your dust collection system.

If you think you're missing anything, email us at mailroom@woodpeck.com.
You can also call us at 800-752-0725 from 9:00 a.m. to 5:00 p.m. EST Monday - Friday.

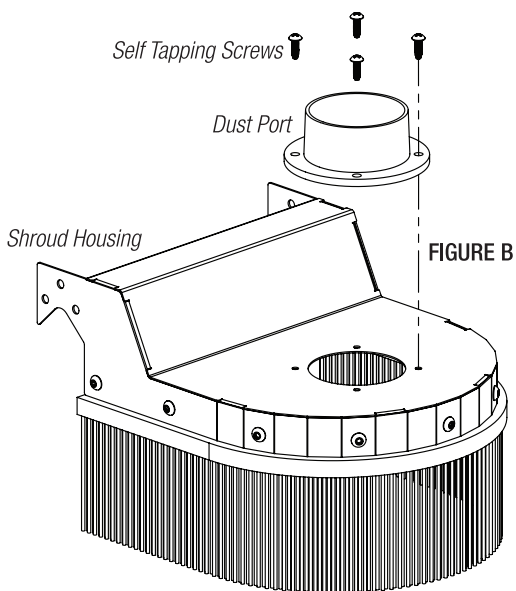
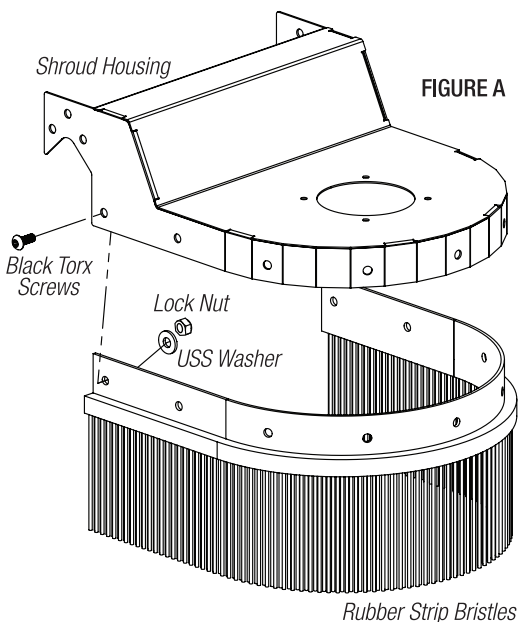
ASSEMBLING THE DUST COLLECTION SHROUD

1. To install the Rubber Strip Bristles to the Shroud Housing you will need the (9) 10-32 x ½ Black Torx Screws, the (9) 10-32 USS Washer, and the (9) 10-32 Lock Nut.

2. Begin installing at the ends of the Rubber Strip Bristles, working your way towards the middle.

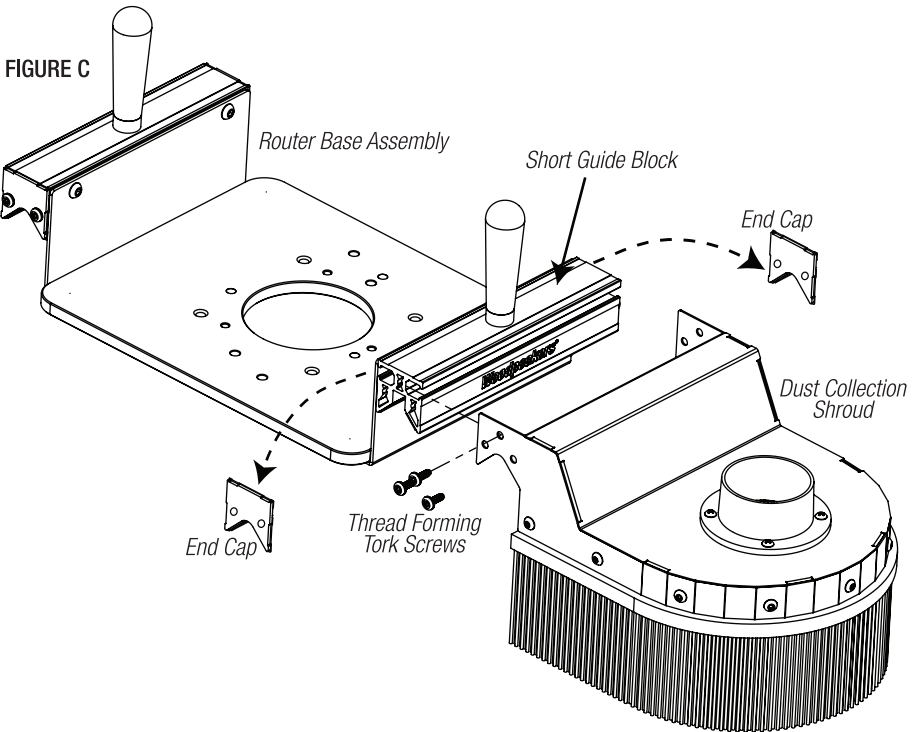
3. Insert a Black Torx Screw through the Shroud Housing then through the Rubber Strip Bristles. **FIGURE A.** Place a USS Washer and a Lock Nut onto the Black Torx Screw and tighten.

4. Install the Dust Port to the Shroud Housing using the (4) 8-32 Self Tapping Screws. Do not over tighten. **FIGURE B.**



ATTACHING THE DUST COLLECTION SHROUD TO THE ROUTER BASE ASSEMBLY

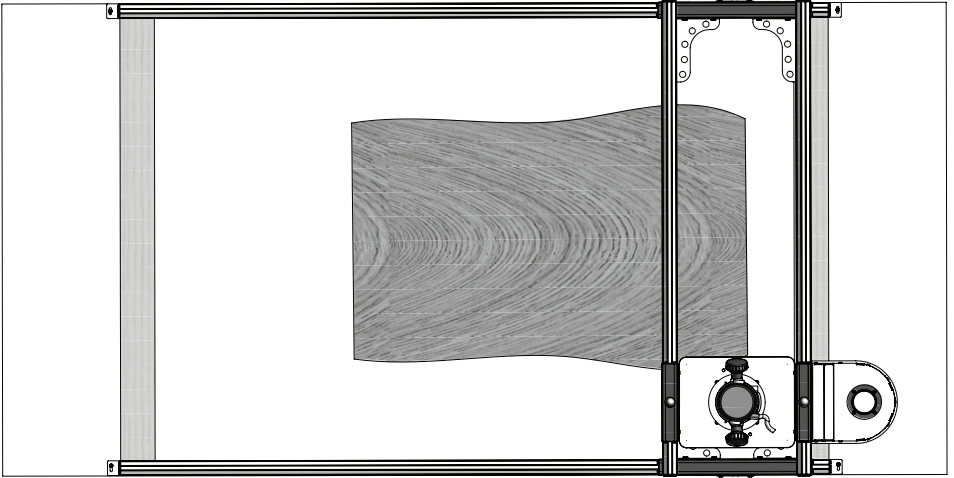
5. Remove two end caps on one of the short guide blocks on the router base assembly.
6. Slide the Dust Collection Shroud over the short guide block. **FIGURE C.**
7. Install the (6) 10-32 Thread Forming Torx Screws with the supplied 10-32 Torx Bit through the holes in the Dust Collection Shroud into the openings on the short guide block and tighten.



USING THE DUST COLLECTION SHROUD

1. Attach your dust collection unit to the Dust Port.

NOTE: For optimal dust collection, we recommend using a dust collection unit capable of 1100 CFM. Try to minimized the length of the 2 1/2" hose used.



HINT: Cut direction is important when using the Dust Collection Shroud. We recommend starting at the lower right hand corner of the piece. Cut on the “push”, bring the router back, stepover(left) approximately half the diameter of the cutter, cut again on the push. Repeat this process until your work piece is flattened.

Woodpeckers®

PRECISION WOODWORKING TOOLS MADE IN USA
Woodpeckers, LLC Strongsville, Ohio · woodpeck.com

© 2018 Woodpeckers, LLC

REV040319



WARNING! This product can expose you to chemicals, including chromium, which is known to the State of California to cause cancer and birth defects or other reproductive harm. For more information go to www.P65Warnings.ca.gov