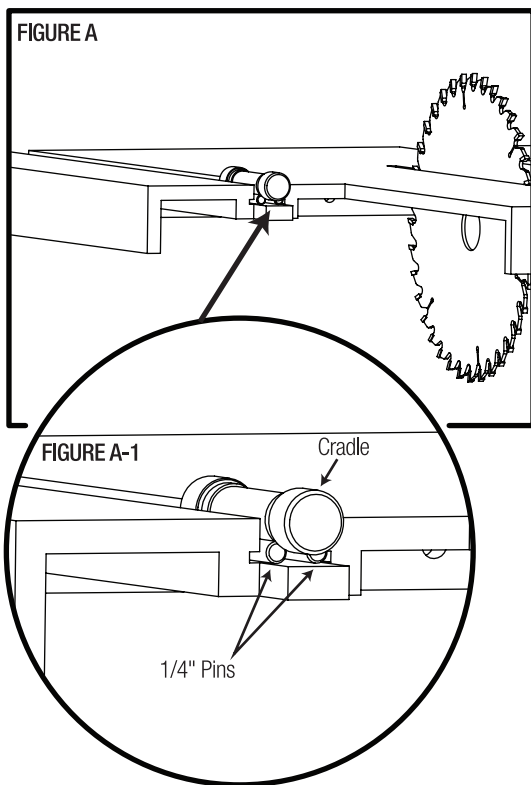


ACCURATE RESULTS REGARDLESS OF MITER SLOT SIZE

1. Place the two 1/4" Pins in the bottom of the miter gauge slot. Put the Cradle between the two pins, forcing one to each side. **FIGURES A & A-1.**

2. Test for proper arrangement by applying slight downward pressure on the Cradle while sliding back and forth in the slot. The Pins should stay trapped between the Cradle ends. Regardless of the miter gauge slot size or any variation from end to end, the Cradle will always be perfectly centered in the slot.

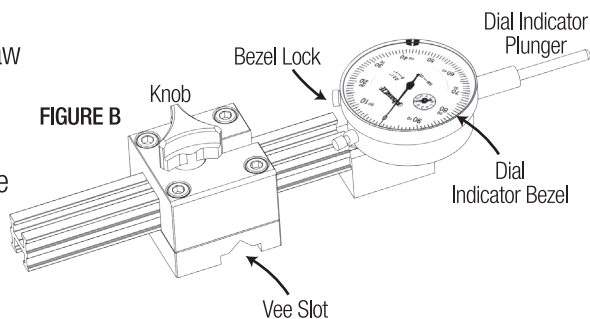


USING THE SAW GAUGE 2.0

CHECKING SAW BLADE:

1. Place the Vee-Slot of the Saw Gauge on the Cradle and locate at approximately the middle of the saw blade.

2. Loosen the Knob on the Main Body and extend the Track until the Dial Indicator Plunger is somewhere near the middle of its 1" travel. Tighten the Knob until snug. **FIGURE B.**



3. Move the Saw Gauge toward the front of the blade. Adjust the Dial Indicator Bezel to "0" and secure the Bezel Lock. **FIGURE C.**

4. With slight downward pressure, move the entire Saw Gauge toward the rear of the saw blade.

