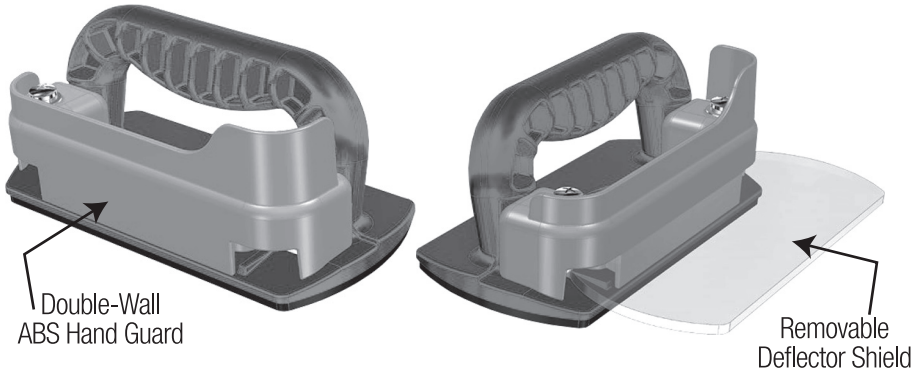


# Woodpeckers®

## PUSHGUARD

### O W N E R ' S M A N U A L



**Woodpeckers PushGuard** A rubber soled push block protects your hands by providing a barrier and increasing the distance between your hands and the cutter. It is your best line of defense against injury at the router table and jointer. With the new PushGuard you'll get the protections afforded by a good push block with the added benefit of a robust double-wall ABS Hand Guard that is positioned on the handle to act as a further barrier between your hands and the cutter.

The Hand Guard also provides an anchor point for the included acrylic Deflector Shield. In use, the Deflector Shield offers additional eye protection when performing free-form edge cuts using bearing or template guided router bits. The Deflector Shield is removable for more common fence guided cuts.

If you think you're missing anything, email us at [mailroom@woodpeck.com](mailto:mailroom@woodpeck.com).  
You can also call us at 800-752-0725 from 9:00 a.m. to 5:00 p.m. EST Monday - Friday.

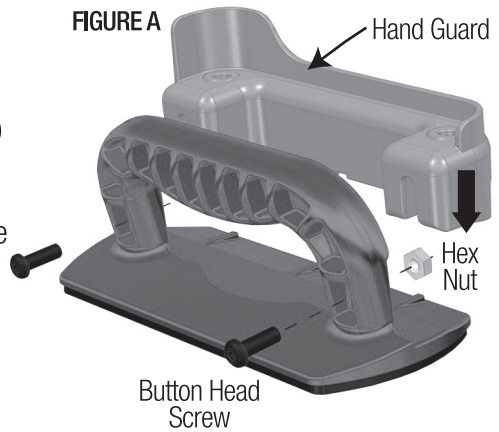
### IMPORTANT SAFETY INSTRUCTIONS

- Before using the PushGuard, read and follow all of the instructions and safety information in this manual.
- Use ONLY the washers, screws, hex nuts and rectangular nuts supplied with this product during assembly. DO NOT use substitutes.
- When using the PushGuard in conjunction with any other tool, first read and follow all instructions and safety information in that tool's owner's manual.
- When using PushGuard with other tools, make sure that all safety guards and other safety equipment supplied by the manufacturer of that tool are securely in place and functional.
- Never let the PushGuard interfere with another tool's safety equipment.
- Use appropriate safety devices. Keep hands clear of the bit or blade. Always use a push stick, rubber soled push block, or other safety device to keep your hands safely away from the cutting tool.
- Always wear safety glasses, hearing protection and follow all normal shop safety practices.
- Make sure all fasteners are securely tightened before making any cuts with the PushGuard.
- NEVER PLACE AN UNPROTECTED HAND WITHIN STRIKING DISTANCE OF THE ROUTER BIT.

## ATTACH HAND GUARD

Insert the (2) 1/4-20 x 3/4" Button Head Screws through the holes in the handle of the PushGuard and loosely thread on the (2) 1/4-20 Hex Nuts. Slide the Hand Guard down over the (2) Hex Nuts so that they are captured in the "T" feature on the side of the Hand Guard. **FIGURE A.**

Tighten the Button Head Screws to secure the Hand Guard.



## ATTACH DEFLECTOR SHIELD

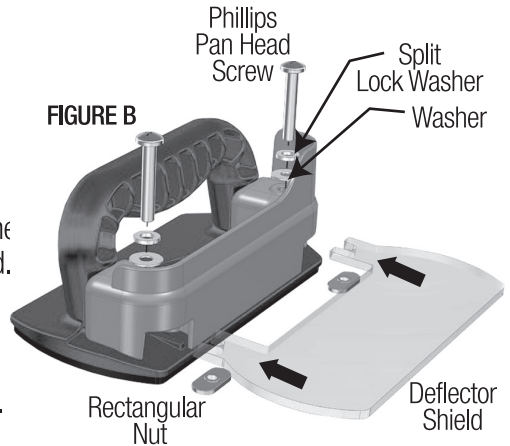
Use ONLY the Washers, Screws, Hex Nuts and Rectangular Nuts supplied with this product during assembly. DO NOT use substitutes.

Add a Lock Washer followed by a Flat Washer to each of the (2) 1/4-20 x 1-1/2" Phillips Pan Head Screws and insert into the holes located on the top of the Hand Guard. **FIGURE B.**

Loosely thread a 1/4-20 Rectangular Nut onto each of the Phillips Pan Head Screws.

The raised rim around the hole on the Rectangular Nuts should be facing up. Now slide the Deflector Shield between the Rectangular Nut and the underside of the recess in the Hand Guard.

Tighten the Phillips Pan Head Screws to secure the Deflector Shield.

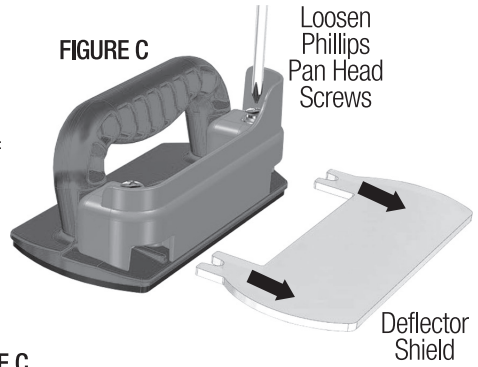


## TO REMOVE THE DEFLECTOR SHIELD

The Deflector Shield is designed for use during freeform edge cuts made using bearing or template guided router bits. If you are performing more common cuts using a fence system, the Deflector Shield should be removed.

Loosen the (2) Phillips Pan Head screws and slide the Deflector Shield off. **FIGURE C.**

Always securely re-tighten the Phillips Pan Head screws before making any cuts.



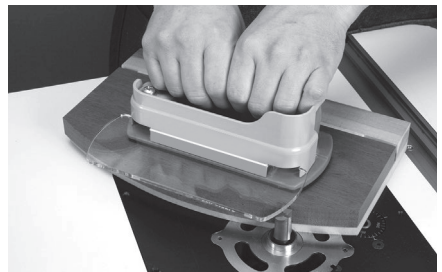
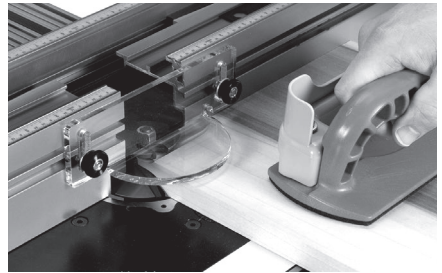
## OPERATION

### COMMON FENCE GUIDED CUTS

For fence guided cuts, the Deflector Shield should be removed. **ALWAYS CONFIRM YOUR SAFE CUTTING ROUTINES!** With the router turned off and the bit below the table surface, perform a “dry run” with your workpiece to make sure you are comfortable with the routine and your safety equipment usage before making any cuts. Leave space between the fence and PushGuard to avoid drag and provide clearance for your cutter guard.

### FREE-FORM CUTTING WITH BEARING AND TEMPLATE GUIDED CUTTERS

For this type of cut the addition of the Deflector Shield provides additional eye protection from chips generated during the cut. **You should still always wear Safety glasses and again, confirm your safe cutting routines. Perform a dry run to make sure that the Deflector Shield safely clears the cutter.**



REV011521

# **Woodpeckers®**

PRECISION WOODWORKING TOOLS

Woodpeckers, LLC Strongsville, Ohio · ***woodpeck.com***

© 2021 Woodpeckers, LLC



**WARNING!** This product can expose you to chemicals, including bisphenol, which is known to the State of California to cause cancer and birth defects or other reproductive harm. For more information go to [www.P65Warnings.ca.gov](http://www.P65Warnings.ca.gov)