

Woodpeckers®

KNUCKLE CLAMP™ KIT

O W N E R ' S M A N U A L

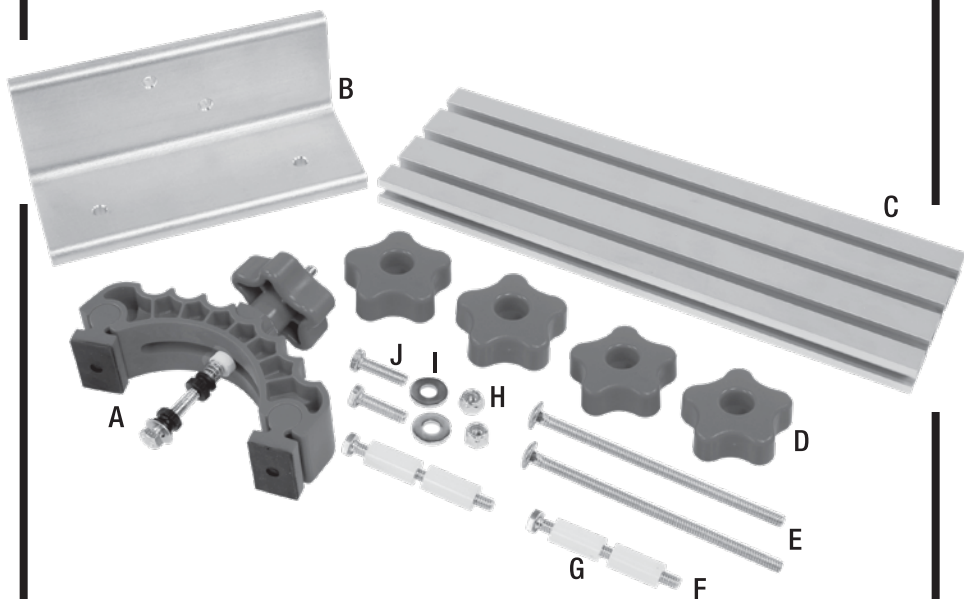


DIAGRAM LETTER	(QTY)	PART NAME
A	(1)	Knuckle Clamp <i>(also sold separately)</i>
B	(1)	Mounting Bracket
C	(1)	12" Super Track
D	(4)	Clamp Knob
E	(2)	1/4"-20 x 5" Hex Head Bolt
F	(2)	1/4"-20 x 3" Hex Head Bolt
G	(4)	Nylon Spacer
H	(2)	1/4"-20 Lock Nut
I	(2)	1/4"-20 USS Thick Washer
J	(2)	1/4"-20 x 1" Hex Head Bolt

If you think you're missing anything, email us at mailroom@woodpeck.com.
You can also call us at 800-752-0725 from 9:00 a.m. to 5:00 p.m. EST Monday - Friday.

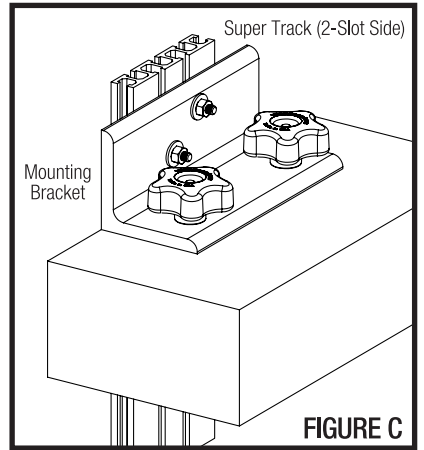
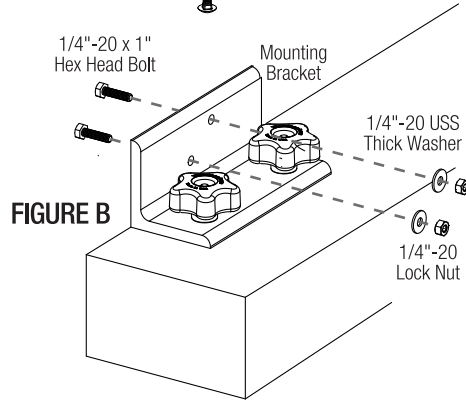
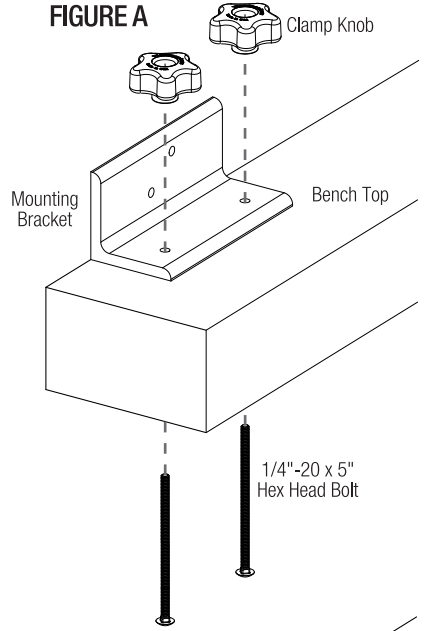
NUCKLE CLAMP KIT INSTRUCTIONS

1. Use the Mounting Bracket to mark the two locations where you need to drill $5/16$ " diameter holes. The holes are approximately $4-1/2$ " apart and 2" back from the front edge of your bench. The vertical face of Mounting Bracket should be flush with front edge of bench top.

2. Use (2) $1/4$ "-20 x 5" Hex Head Bolts to attach the Mounting Bracket to your bench. This length is ideal for benches $3-1/2$ " to 4" thick. *You may wish to use a different length depending on your bench top thickness.* Secure the Mounting Bracket with (2) Clamp Knobs. **FIGURE A.**

3. Loosely install (2) $1/4$ "-20 x 1" Hex Head Bolts from the front. From the inside of the Mounting Bracket slip a $1/4$ "-20 USS Thick Washer and start a $1/4$ "-20 Lock Nut onto each Bolt. **FIGURE B.**

4. With the two-slot face of the Super Track facing the Mounting Bracket, engage a Bolt head into each slot. Position the top end of the Super Track a couple inches above the top of the Mounting Bracket. This can be repositioned later. Securely tighten both Nuts. **FIGURE C.**



5. Assuming the board you'll be clamping will be oriented horizontally, install the Support Stud as shown. Slide the head of the 1/4"-20 x 3" Hex Head Bolt into either the left or right slot of the (3 slot side) Super Track. Slip on both Nylon Spacers and secure in place with a Clamp Knob. This Bolt should be positioned so that the edge of the board is above the Super Track.

FIGURE D.

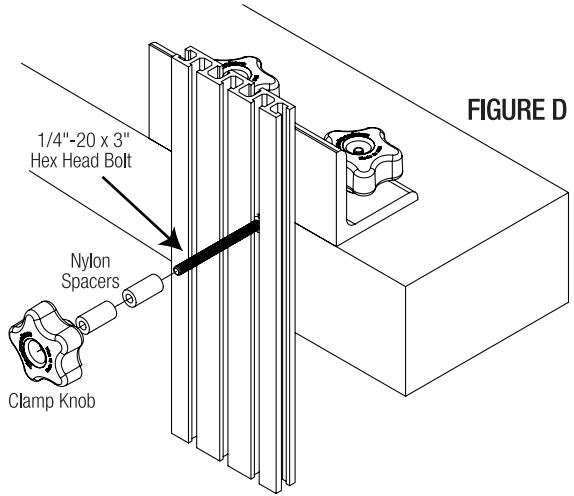


FIGURE D

5. Install the Knuckle Clamp in the Super Track slot opposite the Bolt. **FIGURE F.** Secure it in place by tightening the track closest to the track. **FIGURE E-1.**

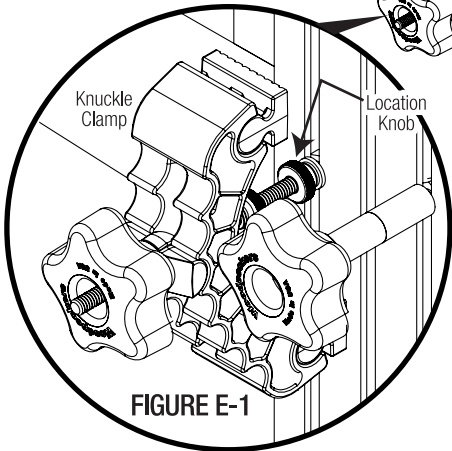


FIGURE E-1

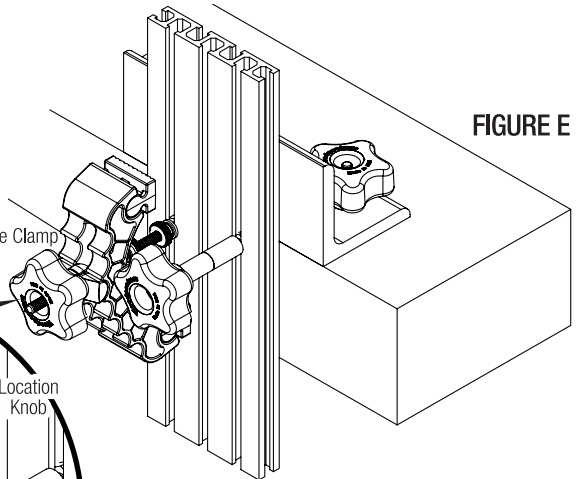


FIGURE E

NOTE: A single Knuckle Clamp Bench Kit is designed to hold smaller piece of wood. By using two or more kits, you can easily hold long pieces horizontally for edge planing and by butting two kits together you can clamp boards vertically for end grain work.

KNUCKLE CLAMPS

T-TRACK COMPATIBILITY: The Knuckle Clamp is designed to be used with any standard 1/4"-20 bolt. The provided hex head bolts can be used with almost any extruded aluminum T-track, allowing repositioning anywhere along the track. However, you can replace the hex head bolt with any 1/4"-20 bolt style. For example, a carriage head bolt can be used in places where the bolt is going through a wooden structure and only one position for the clamp is required.

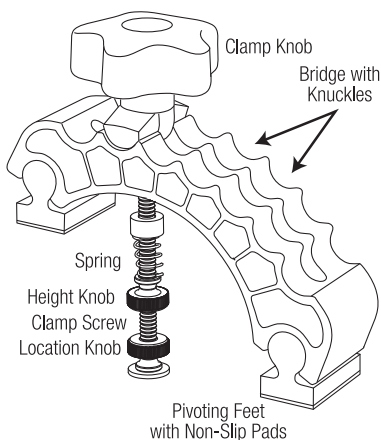
Do not tighten the clamp with anything other than the included Woodpeckers Multi-Knob. Hand pressure only.

PIVOTING FOOT: Each Pivoting Foot has a Non-Slip Pad molded to it. This Non-Slip Pad prevents marking of softer wood species and greatly reduces movement of the work piece being clamped.

HEIGHT KNOB: The purpose of the Height Knob and Spring is to allow the Knuckle Clamp to rest at a height just above the work piece when clamping pressure is removed, Thus making it easy to slide work under the foot.

LOCATION KNOB: Use the Location Knob to keep the screw vertically oriented and stable. No more than finger pressure is required to keep it in place.

Although the bridge has seven different knuckle locations, only the center five are typically used. The varied positions allow you to adjust clearance as needed. It's best to use the location closest to the material edge.



Woodpeckers®

PRECISION WOODWORKING TOOLS

Woodpeckers, LLC Strongsville, Ohio · woodpeck.com

© 2021 Woodpeckers, LLC



WARNING! This product can expose you to chemicals, including chromium, which is known to the State of California to cause cancer and birth defects or other reproductive harm. For more information go to www.P65Warnings.ca.gov