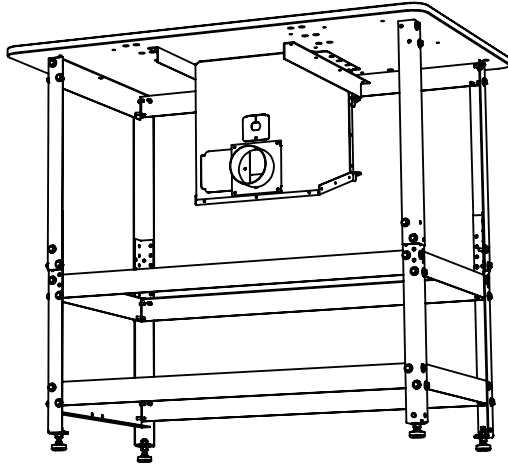


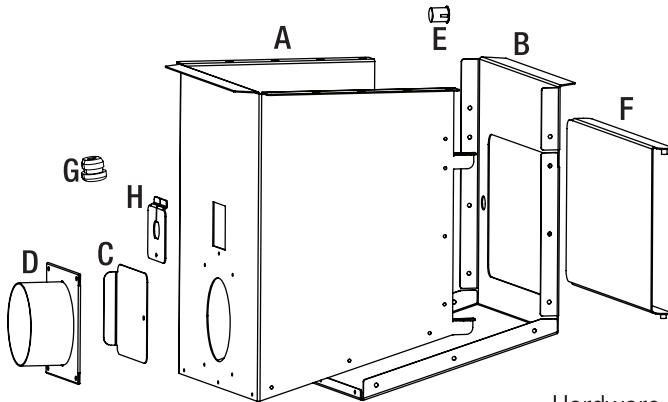
Woodpeckers[®]

DOWNDRAFT DUST CABINET

O W N E R ' S M A N U A L



Woodpeckers Downdraft Dust Cabinet keeps your workshop clean and your router running cool. The 4" dust port includes a built-in blast gate to maintain your collection efficiency when your router table is not in use.



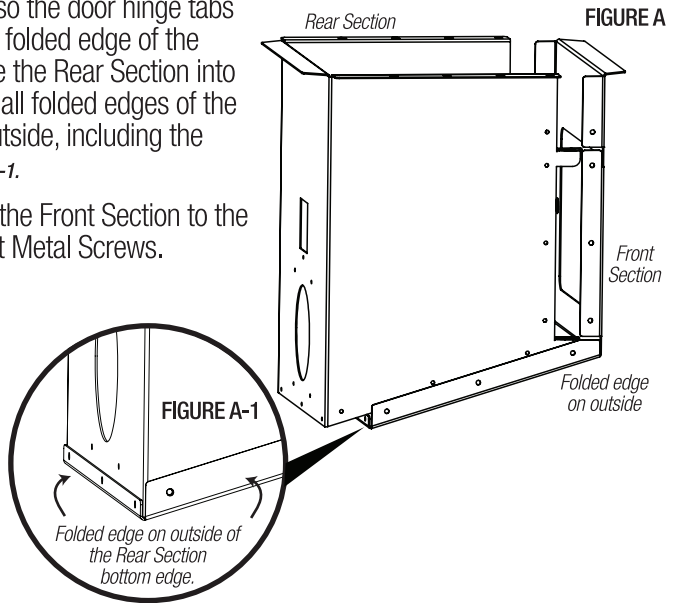
- A. Rear Section
- B. Front Section
- C. Blast Gate
- D. Dust Port
- E. Magnetic Door Latch
- F. Access Door
- G. Strain Relief
- H. Cord Clamp

Hardware Included:
(22) #8 x 3/8" Sheet Metal Screws
(4) 10-24 x 1/2" Machine Screws
(6) #10 Washers

If you think you're missing anything, email us at mailroom@woodpeck.com.
You can also call us at 800-752-0725 from 9:00 a.m. to 5:00 p.m. EST Monday - Friday.

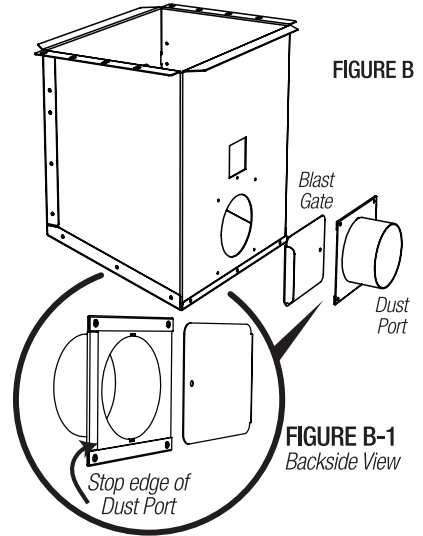
1. Align the Rear Section so the door hinge tabs line up with the slots in the folded edge of the Front Section. **FIGURE A.** Slide the Rear Section into the Front Section ensuring all folded edges of the Front Section are on the outside, including the back bottom edge. **FIGURE A-1.**

Screw the folded edges of the Front Section to the Rear Section with 17 Sheet Metal Screws.



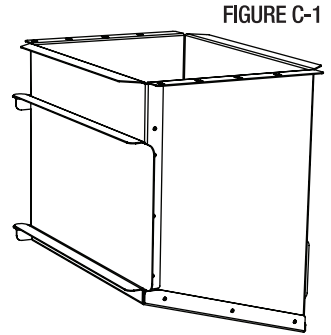
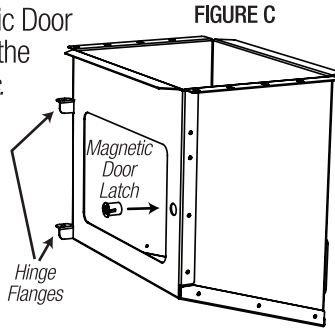
2. The Blast Gate can slide open to either the right or left, whichever is most convenient for you. Position the opening end of the Dust Port on the side you want to access. The stop edge of the Dust Port should face opposite of the direction you want to open the Blast Gate. **FIGURE B-1.**

Secure the Dust Port to the Rear Section with 4 Sheet Metal Screws. **FIGURE B.** Slide the Blast Gate into place.



3. Snap the Magnetic Door Latch into the slot in the Front Section. *FIGURE C.*

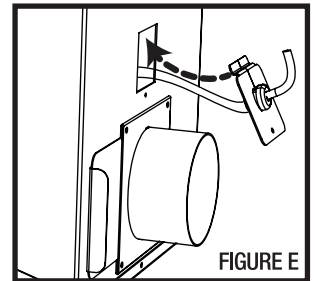
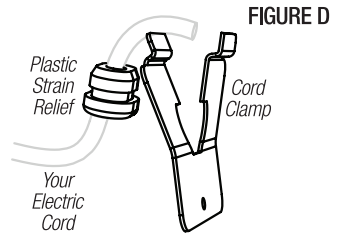
Drop the door pins of the Access Door into the hinge flanges. *FIGURE C-1.*



4. Place the Plastic Strain Relief onto your electric cord. Position it so the electric cord has a little slack inside the Downdraft Dust Cabinet. *FIGURE D.*

Spread the two halves of the Cord Clamp apart just enough to slip the Strain Relief in, then bring the Cord Clamp back to the flat position.

Slide the bent flange of the Cord Clamp inside the cabinet and secure with a Sheet Metal Screw. *FIGURE E.*

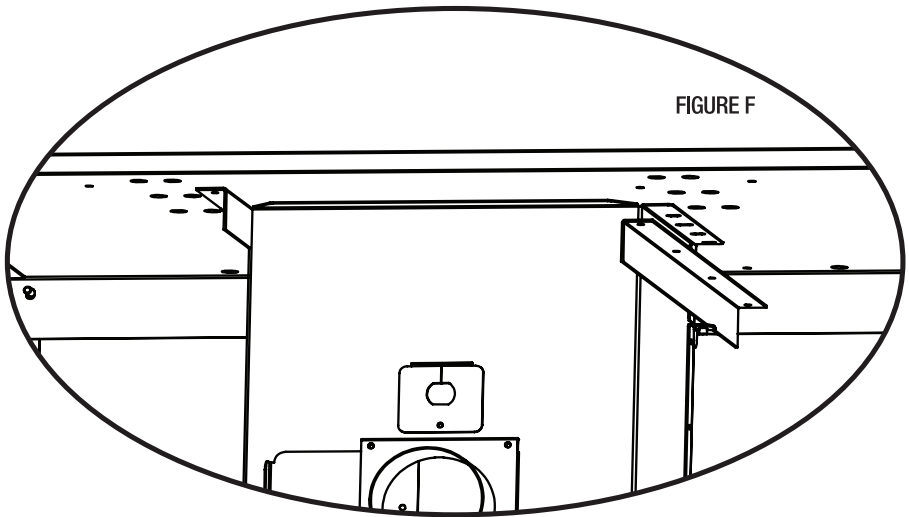


CAUTION: It is important to always use your Dust Collector once the cabinet is installed. Accumulated chips and saw dust could cause your router to over-heat.

5a. If installing the Downdraft Dust Cabinet onto a 27" x 43" Woodpeckers Router Table, remove the support braces from the underside of the router table. When you center the Downdraft Dust Cabinet on the router plate opening, the third hole from the front of the cabinet will line up with the third hole from the front in the support braces. Install a 10-24 x 1/2" machine screw through the support brace and the flange of the cabinet and into the router table. Re-install the 10-24 x 1/2" machine screws in the remaining three holes in the support brace using the washers (provided with the Downdraft Dust Cabinet) as spacers between the brace and the table.

5b. If installing the Downdraft Dust Cabinet onto a 24" x 32" Woodpeckers Router Table, remove the support braces from the underside of the router table. When you center the Downdraft Dust Cabinet on the router plate opening, the first hole from the front of the cabinet will line up with the second hole in the support braces and the last hole on the cabinet will line up with the third hole in the support brace. Install a 10-24 x 1/2" machine screw through the support brace and the flange of the cabinet and into the router table. The remaining two holes in the support brace will now need the provided washers as spacers between the brace and the table.

For both, install the screws in alternating fashion (front to back and side to side). Install loosely at first and tighten in the same alternating pattern.



Woodpeckers®

PRECISION WOODWORKING TOOLS

Woodpeckers, LLC Strongsville, Ohio · woodpeck.com

© 2019 Woodpeckers, LLC

REV121119



WARNING! This product can expose you to chemicals, including chromium, which is known to the State of California to cause cancer and birth defects or other reproductive harm. For more information go to www.P65Warnings.ca.gov