

Woodpeckers®

DELUXE TRAMMEL SYSTEM

OWNER'S MANUAL

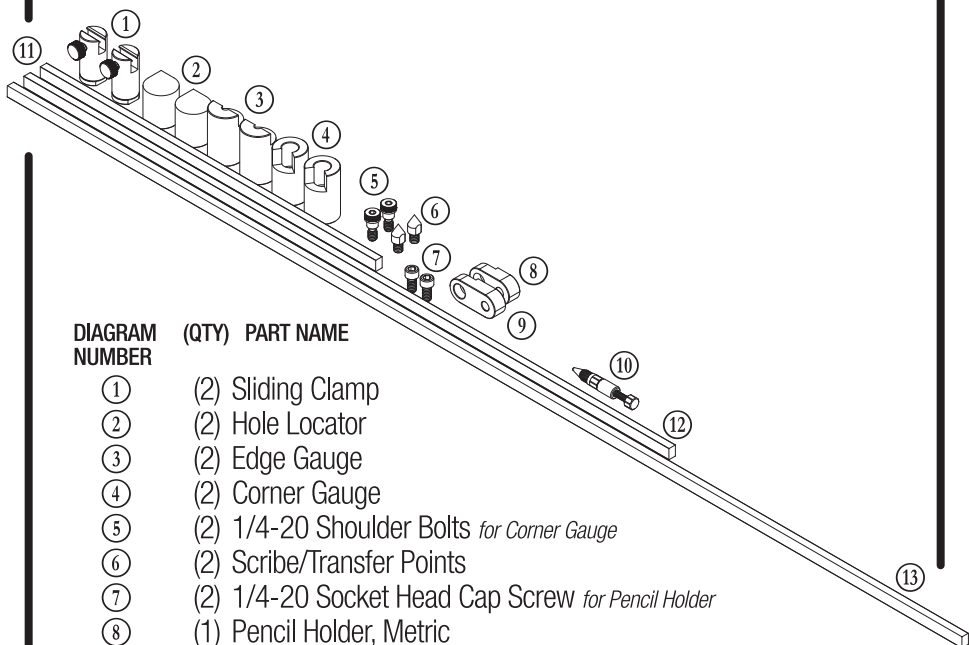


DIAGRAM NUMBER

(QTY) PART NAME

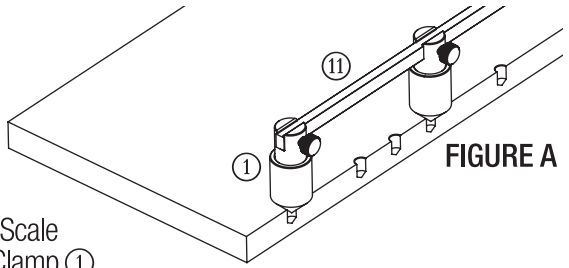
- | | |
|----|---|
| ① | (2) Sliding Clamp |
| ② | (2) Hole Locator |
| ③ | (2) Edge Gauge |
| ④ | (2) Corner Gauge |
| ⑤ | (2) 1/4-20 Shoulder Bolts <i>for Corner Gauge</i> |
| ⑥ | (2) Scribe/Transfer Points |
| ⑦ | (2) 1/4-20 Socket Head Cap Screw <i>for Pencil Holder</i> |
| ⑧ | (1) Pencil Holder, Metric |
| ⑨ | (1) Pencil Holder, Inch |
| ⑩ | (1) Mechanical Pencil |
| ⑪ | (1) 12" (30cm) Beam Scale |
| ⑫ | (1) 24" (60cm) Beam Scale |
| ⑬ | (1) 36" (90cm) Beam Scale |
| -- | (1) Wall-Mountable Storage Case |
| -- | (1) Hex Key 5/32" |
| -- | (1) Hex Key 3/16" |

The **Woodpeckers Deluxe Trammel System** consists of a series of tools that enable you to accurately locate holes, edges and corners, scribe lines and transfer distances.

If you think you're missing anything, email us at mailroom@woodpeck.com.
You can also call us at 800-752-0725 from 9:00 a.m. to 5:00 p.m. EST Monday - Friday.

I. DETERMINING DISTANCES

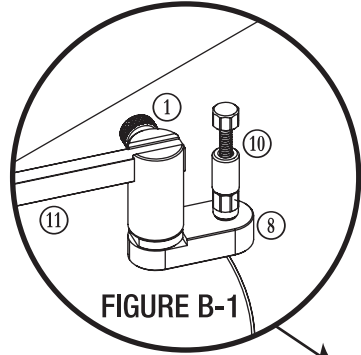
To use the Deluxe Trammel System, determine the type of measurement you need to make between holes, edges, and corners, or any combination of the three.



1. With the appropriate sized Beam Scale (11) (12) or (13) installed on the Sliding Clamp (1), set the location of one Sliding Clamp assembly to zero and lock into place with the knob on the Sliding Clamp. **FIGURE A.**

2. Place the second Sliding Clamp assembly into the new location and lock into place with the knob on the Sliding Clamp.

3. Record the value.



II. DRAWING/SCRIBING ARCS

1a. To draw arcs, install a Pencil Holder (8) or (9) onto one of the Sliding Clamps (1).

FIGURE B-1. Insert the Mechanical Pencil (10) into the Pencil Holder.

1b. If using a Scribe (6), install the Scribe into the Sliding Clamp.

2. With the appropriate sized Beam Scale (11) installed on the Sliding Clamp (1), set the location of one Sliding Clamp assembly to zero and lock into place with the knob on the Sliding Clamp.

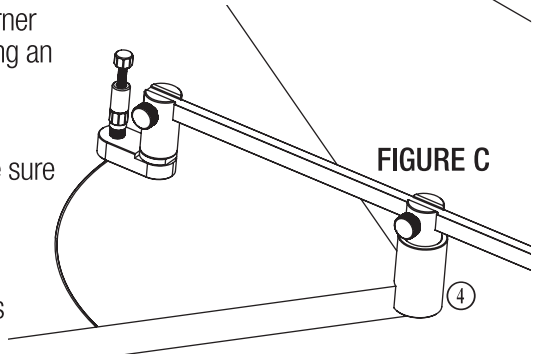
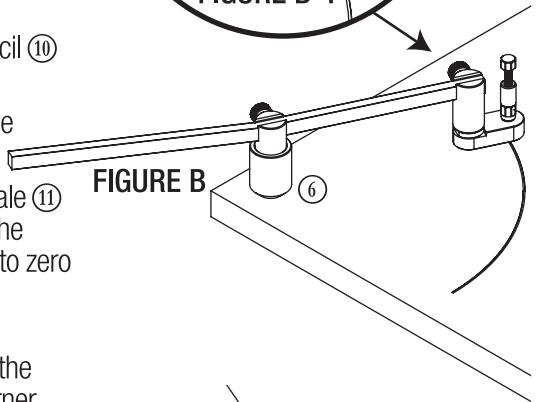
3. Attach a Scribe/Transfer Point (6) to the other Sliding Clamp. **FIGURE B.** The Corner Gauge (4) can be used instead if drawing an arc from a corner. **FIGURE C.**

4. Set it to the desired radius.

NOTE: If using the Mechanical Pencil be sure to take into account the additional 1" (or 2cm) added by the Pencil Holder.

5. Set the height of the Sliding Clamp assemblies so that the Beam Scale is as close to horizontal as possible.

6. Hold the Scribe/Transfer Point against the workpiece then drag/draw the arc around with the Mechanical Pencil (or Scribe).



III. DRAWING/SCRIBING PARALLEL LINE

1. To draw lines parallel to an edge (right), follow steps 1-2 in Section II .

2a. Attach a Edge Gauge (3) to the other Sliding Clamp. **FIGURE D.**

2b. The Corner Gauge (4) can be used if drawing a line from a corner.

3. Set it to the desired length.

NOTE: Be sure to take into account the additional 1" (or 2cm) added by the Pencil Holder.

4. Hold the Edge Gauge in place against the workpiece then drag/draw the line around with the Mechanical Pencil (or Scribe).

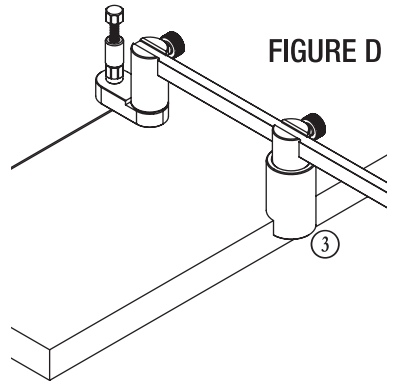


FIGURE D

IV. TRANSFER HOLE CENTERS

Use the Hole Locators (2) to determine the center-to-center distance between two holes and transfer that value.

1. Place the two Hole Locators in the defining holes and lock down both Sliding Clamp knobs. **FIGURE E.**

2. Move the new workpiece and position the Tammel into place. **FIGURE F.**

3. Once in position, press against the tops of the Sliding Clamps. The resulting indentations can then be used to locate the tip of a drill bit. **FIGURE F-1.**

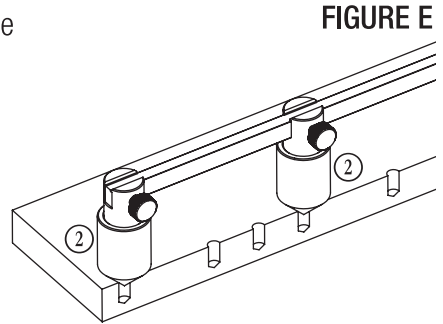


FIGURE E

FIGURE F - View from above.

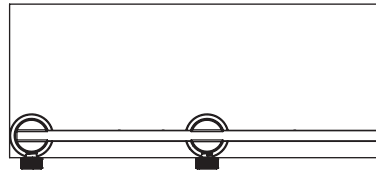


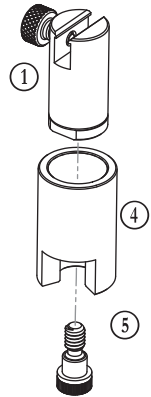
FIGURE F-1



V. ASSEMBLING THE CORNER GAUGES

1. Remove any components attached to the Sliding Clamps.
2. Lower the Sliding Clamp ① into the Corner Gauge ④. **FIGURE G.**
3. Insert the 1/4-20 Shoulder Bolt ⑤ through the center hole on the Corner Gauge.
4. Use the 5/32 Hex Wrench to snug the Shoulder Bolt.
5. The Corner Gauge should rotate freely.

FIGURE G

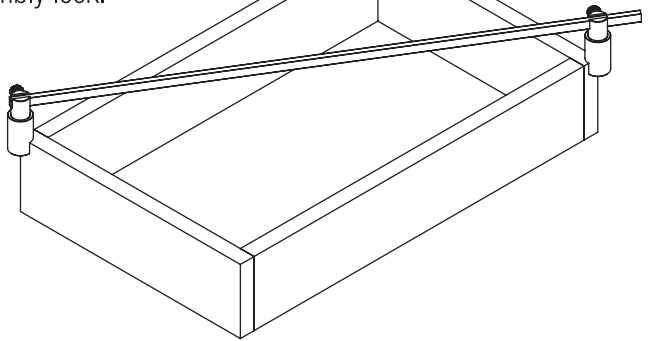


VI. MEASURING CORNER TO CORNER – CHECKING FOR SQUARE

1. To measure from corner to corner, Position and Corner Gauge assembly lock at zero.
2. Place the Trammel on the workpiece and locate the other Corner Gauge to the diagonal corner of the workpiece. Then, lock down the second Corner Gauge assembly lock. **FIGURE H.**

3. To check for square, move the entire setup to the opposite diagonal. If they match, you are square.

FIGURE H



Woodpeckers®

PRECISION WOODWORKING TOOLS

Woodpeckers, LLC Strongsville, Ohio · [woodpeck.com](http://www.woodpeck.com)

© 2019 Woodpeckers, LLC

REV071119



WARNING! This product can expose you to chemicals, including chromium, which is known to the State of California to cause cancer and birth defects or other reproductive harm. For more information go to www.P65Warnings.ca.gov