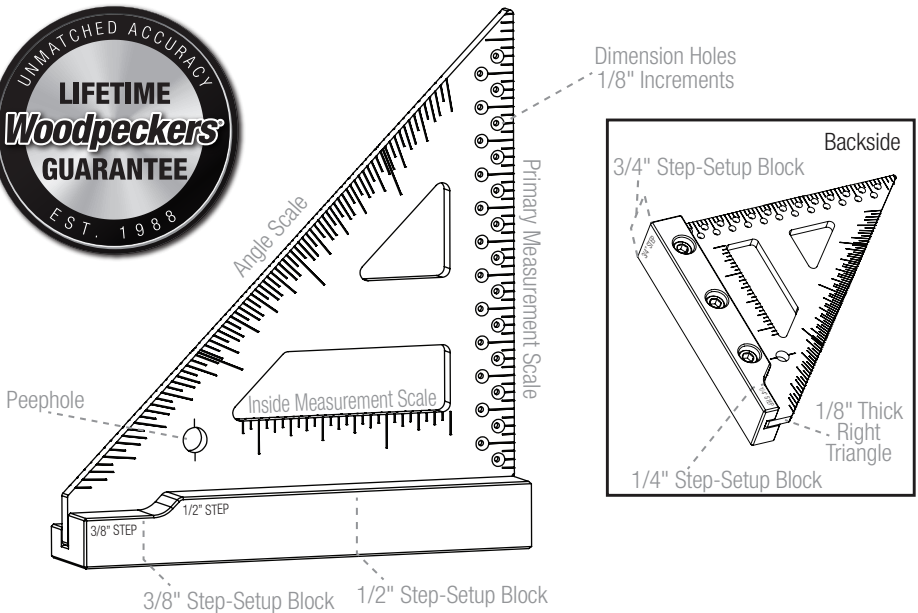


Woodpeckers®

OneTIME Tool®

DelVe Square SS

O W N E R ' S M A N U A L



The ingenious **Woodpeckers DelVe Square** was originally developed by North Carolina professional woodworker, Tom DelVecchio. Tom and our product developers have updated the design with a stainless steel blade, 1° increments on the angle scale and precision milled setup block sections. Take a few minutes to review this Owner's Manual to familiarize yourself with the unique features of your new DelVe Square.

ALL THIS IN A POCKET-SIZED SQUARE

Here are some of the many practical uses packed in your DelVe Square.

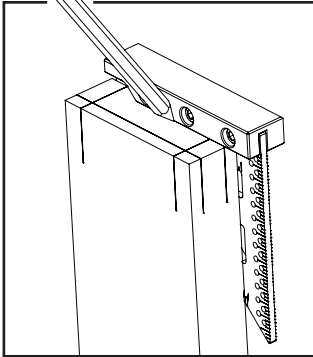
- Joinery Layout Wiz
- Gauging Tool
- Measureless Marking
- Machine Setup
- Measurement Tool
- Angle Marking & More

If you think you're missing anything, email us at mailroom@woodpeck.com.
You can also call us at 800-752-0725 from 9:00 a.m. to 5:00 p.m. EST Monday - Friday.

NO MEASUREMENT MORTISE & TENON LAYOUT

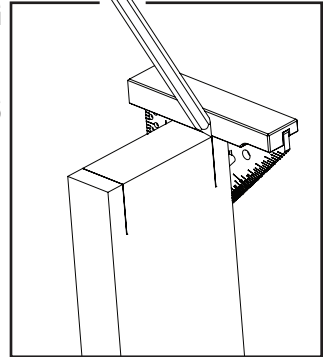
The DelVe Square right triangle is offset in the 3/4"-wide base with 1/4" on one side and 3/8" on the other. So in commonly used 3/4"-thick stock, tenon cheeks and shoulders are marked with the stroke of a pencil. Tenon length is quickly marked using the handy holes along the measurement scale. These holes and the 3/8" base offset lay out a mortise including a 1/8" rail setback.

MARKING 1/4" TENON CHEEKS

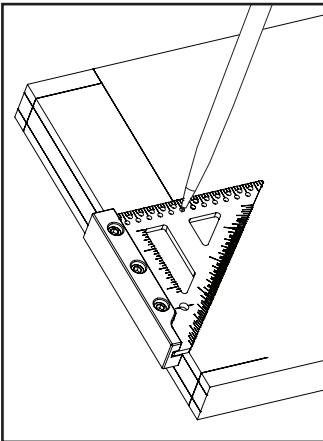


With the 1/4" shoulder of the DelVe Square's base, you can't miss marking precise, 1/4" tenon cheeks.

MARKING 3/8" TENON SHOULDERS



When laying out 3/8" tenon shoulders, simply use the 3/8" side of the DelVe Square base. No measurements are necessary.



MARKING TENON LENGTH

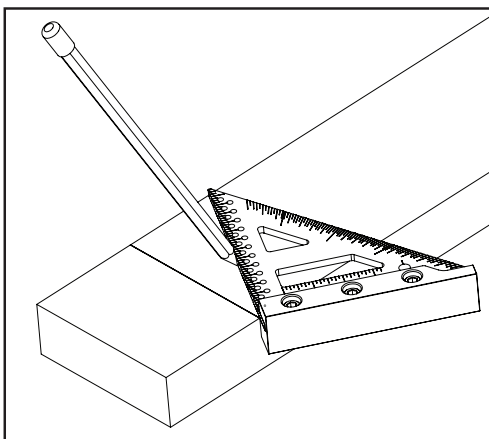
To mark your tenon length precisely around each side of your stock, place the DelVe Square base against the end of your stock then use the appropriate dimension hole and scribe your line using a mechanical pencil.

MORTISE LAYOUT

Precise mortise layouts can be made using combinations of the DelVe Square features. Use the 3/8" offset base to achieve a 1/8" rail setback. Use the primary measurement holes to accurately mark the other mortise dimensions.

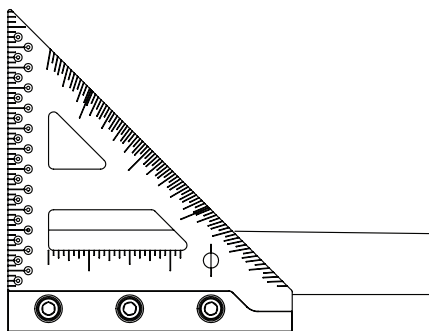
DRAWING ANGLES

With the laser-engraved angle scale, drawing common angles is easy. Pivot off the base at the primary dimension scale side of the DeVe Square until your desired angle is positioned on the edge of your stock. In the example here, a 30° angle is being drawn.



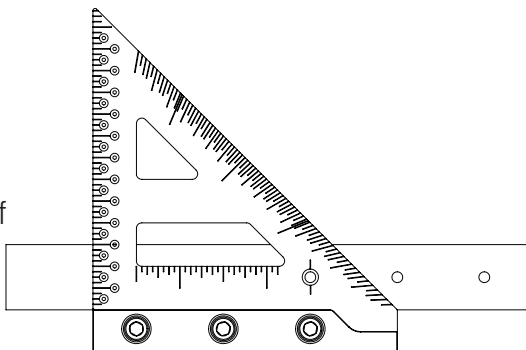
INSIDE SCALE: SIGHTING THE END OF A BOARD

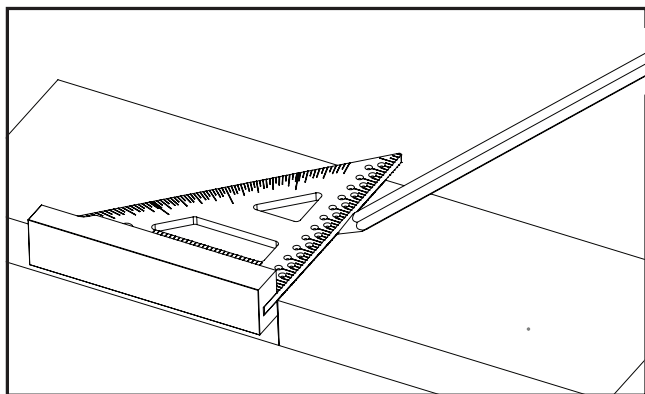
The Inside Scale is located along the triangle cutout. It is read from the leg of the triangle. The Peephole is located 2-1/2" from the leg of the triangle and is a continuation of the Inside Scale.



USING THE PEEPHOLE WITH A SELF-CENTERING DRILL BIT

The Peephole is precisely positioned to make drilling holes in the exact center of 3/4" stock a snap. Simply index the DeVe Square base off the edge of the board then use a self-centering drill bit, Like a Vix-Bit, to drill the hole.



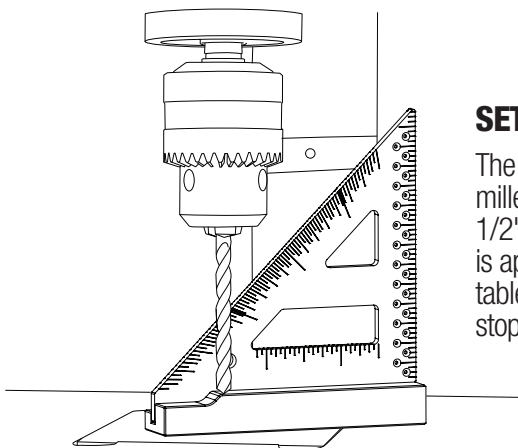
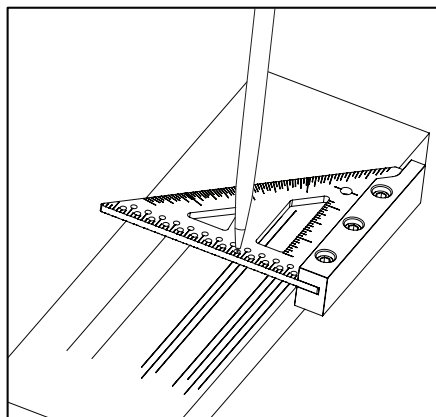


SCRIBING LINES ON ADJACENT FACES

Use your DelVe Square to draw lines on perpendicular faces without the need to move the square and risk losing your alignment.

SCRIBING LINES IN 1/8" INCREMENTS

Precision-machined holes in 1/8" increments are positioned along the primary measurement scale. Use these holes to make repetitive layout lines with a mechanical pencil.



SETUP BLOCK FUNCTION

The hypotenuse end of the base has been milled to create setup blocks in 1/4", 3/8", 1/2" and 3/4" sizes. Use whichever section is appropriate to set drill press depth stop, table saw blade height or router plunge stops.

Woodpeckers®

PRECISION WOODWORKING TOOLS MADE IN USA

Woodpeckers, LLC Strongsville, Ohio · 800-752-0725 · woodpeck.com

© 2018 Woodpeckers, LLC

California Proposition 65 WARNING: This product may contain one or more chemicals known to the State of California to cause cancer and birth defects or other reproductive harm. Wash hands after handling.