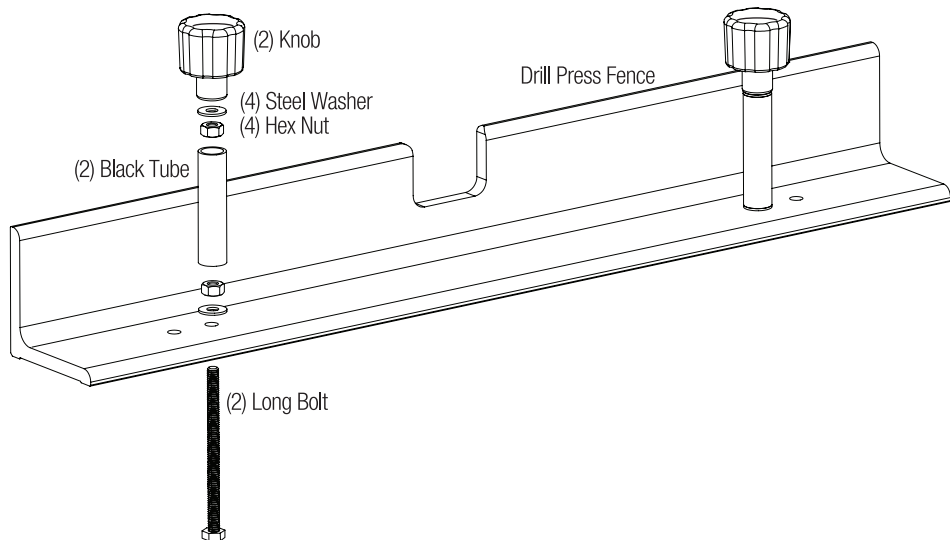
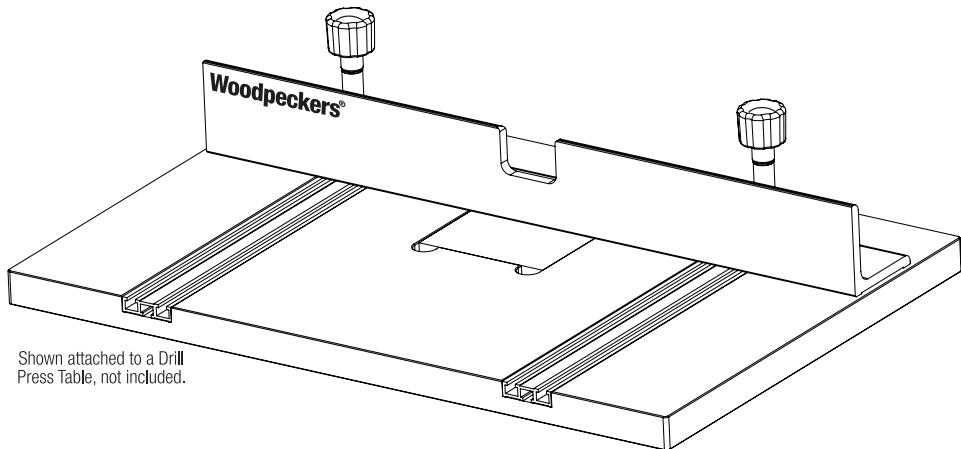


# Woodpeckers®

## DP3 DRILL PRESS FENCE

O W N E R ' S M A N U A L



**Woodpeckers DP3 Drill Press Fence** supports narrow work, keeping it perpendicular to the table. Fits Woodpeckers Drill Press Table and Router Table.

If you think you're missing anything, email us at [mailroom@woodpeck.com](mailto:mailroom@woodpeck.com).  
You can also call us at 800-752-0725 from 9:00 a.m. to 5:00 p.m. EST Monday - Friday.

## ASSEMBLING THE HARDWARE

The Woodpeckers DP3 Drill Press Fence attaches to standard 1/4" T-track, which is typically installed flush with the surface of the table.

Follow the arrangement of the hardware pieces that need to be assembled in the two holes of the fence. **FIGURE A.**

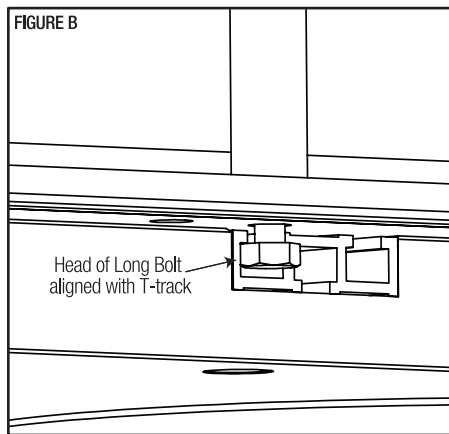
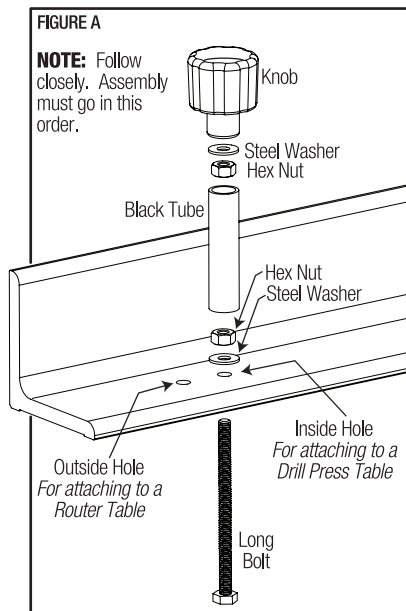
Notice that there are two holes at each end of the Fence. The outside most holes are for attaching the DP3 Fence to a Woodpeckers Router Table. The inside holes are for attaching to a Woodpeckers Drill Press Table.

1) Begin by inserting a Long Bolt up through the bottom of the DP3 Fence. From the top, install a Steel Washer. Thread a Hex Nut down to the Steel Washer, towards the bottom of the long bolt. This will remain loose.

2) Thread a second Hex Nut down the Long Bolt so it will be positioned just below the top of the Black Tube when installed. Slip the Black Tube over the Long Bolt, making sure that Hex Nuts are inside the Black Tube. Install the second Steel Washer. Thread the Knob on loosely.

3. Repeat step 1 for the other set of Knob hardware.

4. Once both sets of hardware are loosely assembled on the fence, align the head of each Long Bolt with the T-track. **FIGURE B.** Slide the fence to the desired position and tighten both Knobs.



# Woodpeckers®

PRECISION WOODWORKING TOOLS

Woodpeckers, LLC Strongsville, Ohio · [woodpeck.com](http://www.woodpeck.com)

© 2019 Woodpeckers, LLC

REV071619



**WARNING!** This product can expose you to chemicals, including chromium, which is known to the State of California to cause cancer and birth defects or other reproductive harm. For more information go to [www.P65Warnings.ca.gov](http://www.P65Warnings.ca.gov)