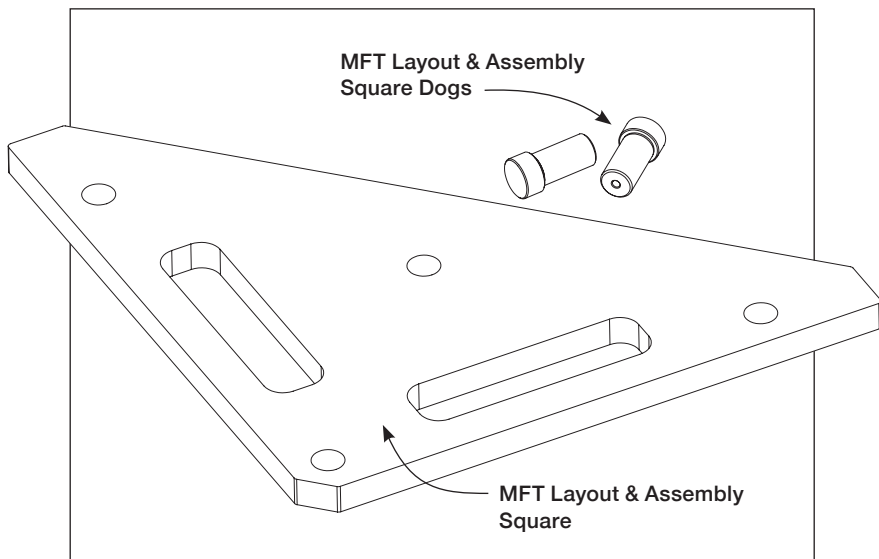


# Woodpeckers<sup>®</sup>



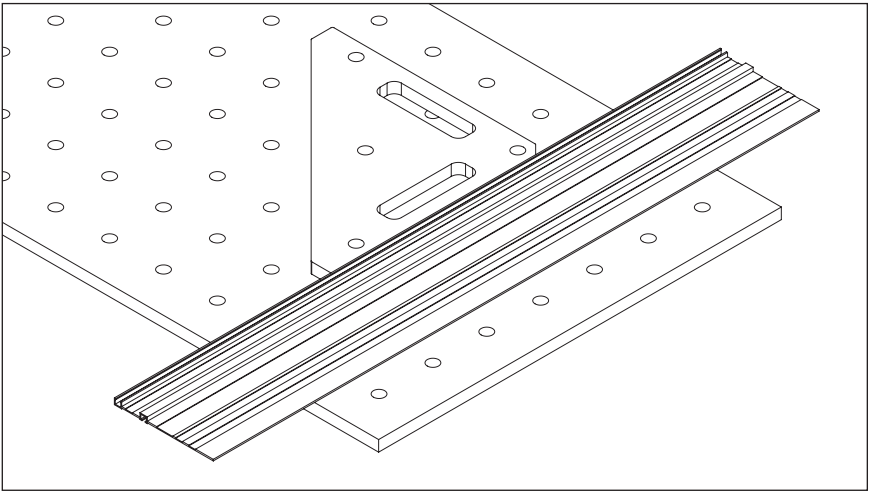
## MFT Layout & Assembly Square Owner's Manual

The primary function of the Woodpeckers MFT Layout & Assembly Square is to align the miter fence and the guide rail on the Festool MFT table. However, it is also useful for setting 45 & 90-degree angles on your table and miter saw, or larger bandsaw, as well as clamping large workpieces.

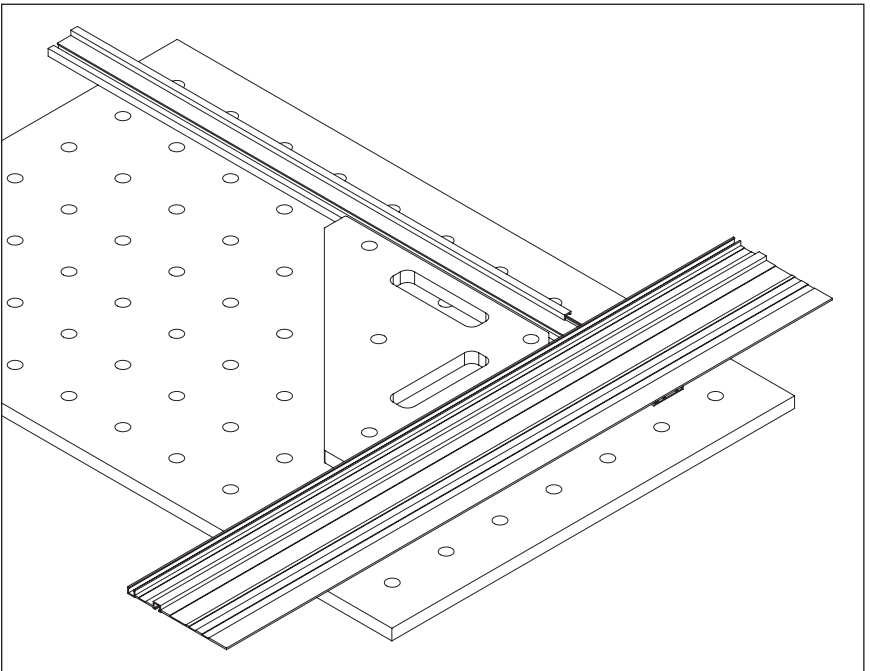
If you think you're missing anything, email us at [mailroom@woodpeck.com](mailto:mailroom@woodpeck.com).  
You can also call us at 800-752-0725 from 9:00 a.m. to 5:00 p.m. EST Monday - Friday.

## Using the MFT Layout & Assembly Square

---



Set the guide rail into position. Place the MFT Layout & Assembly Square against the guide rail.

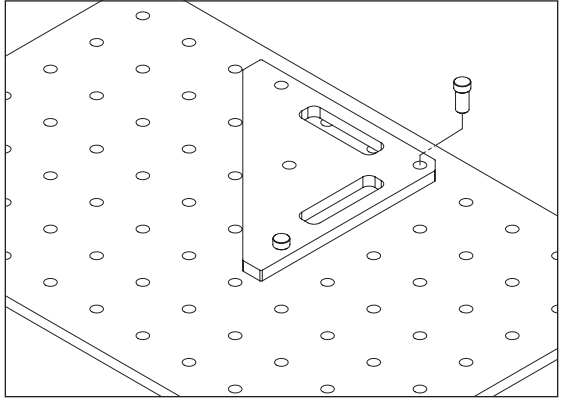


Align the fence to the square and lock into place.

## Using the MFT Layout & Assembly Dog

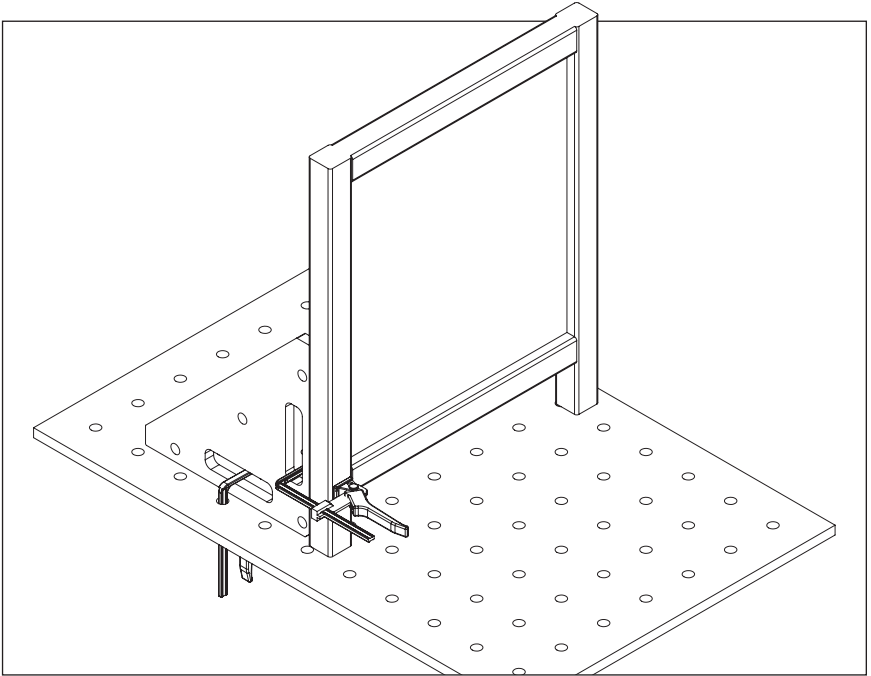
---

Place the MFT Layout & Assembly Square on the MFT table. Line up the holes in the square with the holes in the table and insert the dog.



## Using the MFT Layout & Assembly for Clamping

---



Woodpeckers MFT Layout & Assembly square is ideal for clamping large workpieces to your workbench, assembly table, or MFT table. The large 1 1/2" x 6" slots accommodate both the MFT style clamps as well as most F-body style clamps. Since the square will stand without support on a level surface, it leaves both hands available to add the clamps.

REV/01 2618

# **Woodpeckers®**

PRECISION WOODWORKING TOOLS MADE IN USA  
Woodpeckers, LLC Strongsville, Ohio · **woodpeck.com**

© 2018 Woodpeckers, LLC



**WARNING!** This product can expose you to chemicals, including chromium, which is known to the State of California to cause cancer and birth defects or other reproductive harm. For more information go to [www.P65Warnings.ca.gov](http://www.P65Warnings.ca.gov)