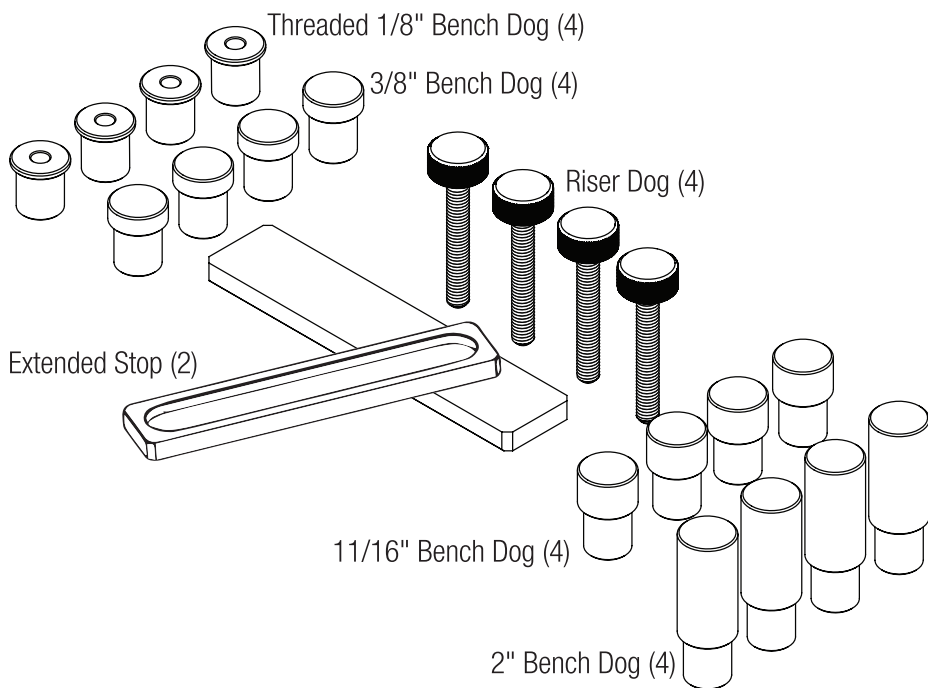


# **Woodpeckers<sup>®</sup>**

# **OneTIME Tool<sup>®</sup>**

## **DELUXE BENCH DOG KIT**

O W N E R ' S M A N U A L



The Woodpeckers Deluxe Bench Dog Kit consist of a series of Bench Dogs, Extended Stops and Risers that enable you to secure your workpiece using the dog holes in your bench or table. Every Woodpeckers Deluxe Bench Dog Kit contains 16 Bench Dogs, 4 Riser Dogs and 2 Extended Stops.

If you think you're missing anything, email us at [mailroom@woodpeck.com](mailto:mailroom@woodpeck.com).  
You can also call us at 800-752-0725 from 9:00 a.m. to 5:00 p.m. EST Monday - Friday.

## HOLDING STOCK WITH WOODPECKER DOGS

Select the Bench Dog based on the height of the workpiece. Place the Bench Dog in the dog hole and secure the workpiece against it. The Threaded 1/8" Bench Dogs are designed to provide the maximum amount of clearance possible, as well as work with the Extended Stops. *Figures 1 & 2*

The 1/8" and 3/8" Bench Dogs work with material thickness down to 1/2" (10mm).

The 11/16" Bench Dogs with 3/4" (19mm) material, and the 2" with larger projects as well as provide lateral support.

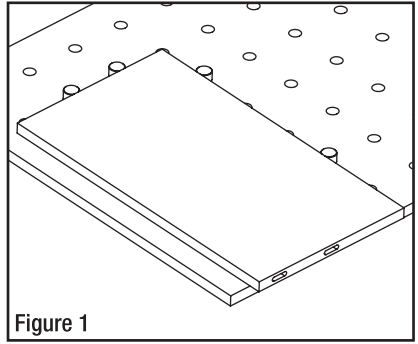


Figure 1

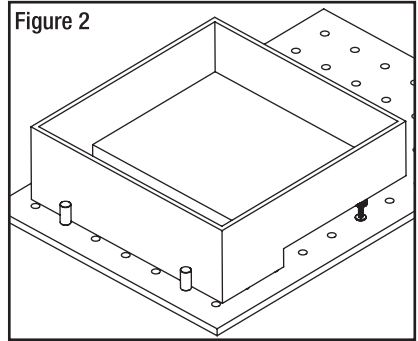


Figure 2

## USING WOODPECKER RISER DOGS

The Riser Dogs provide support for projects that have elevated areas in need of support. To use them, place a Threaded 1/8" Bench Dog in the dog hole and thread the Riser Dog into the Bench Dog and adjust to the desired height. The nominal range of adjustment is between 5/8" and 2-1/2". *Figures 2, 3 & 4*

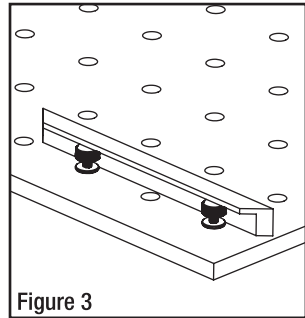


Figure 3

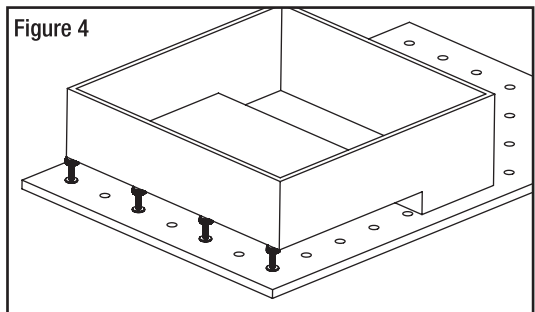


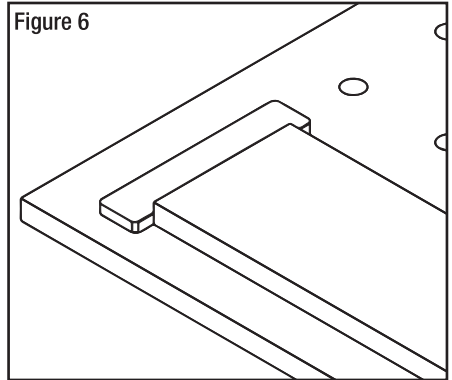
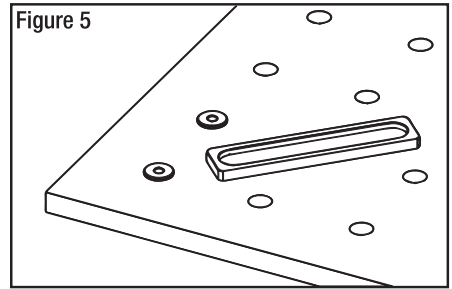
Figure 4

## USING THE EXTENDED STOPS

The Extended Stops are designed to work primarily with the Threaded 1/8" Bench Dogs to provide maximum clearance. However, they will fit on any of the Bench Dogs. Place two Bench Dogs in adjacent holes on your bench. For the kits using .750 and 20mm stems, the Extended Stops will fit a center to center between the dog holes of 5.50 inches. For the 1" stems, the center to center distance is 5.60 inches.

*Figures 5*

Place the Extended Stop over the two Bench Dogs and place your material against it. *Figures 6*



# ***Woodpeckers***<sup>®</sup>

PRECISION WOODWORKING TOOLS MADE IN USA  
Woodpeckers LLC Strongsville, Ohio · ***woodpeck.com***  
© 2018 Woodpeckers LLC



**WARNING!** This product can expose you to chemicals, including chromium, which is known to the State of California to cause cancer and birth defects or other reproductive harm. For more information go to [www.P65Warnings.ca.gov](http://www.P65Warnings.ca.gov)