

Woodpeckers[®]

CAST ALUMINUM ROUTER MOUNTING PLATE

O W N E R ' S M A N U A L

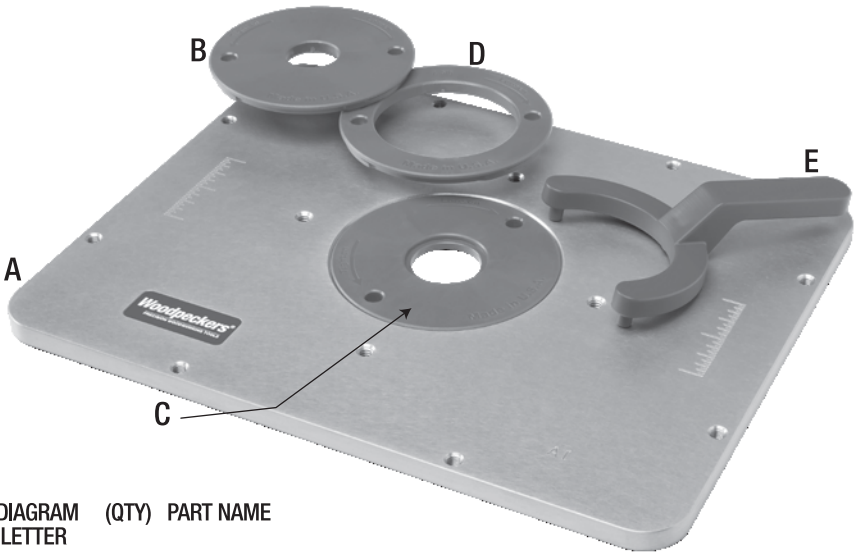


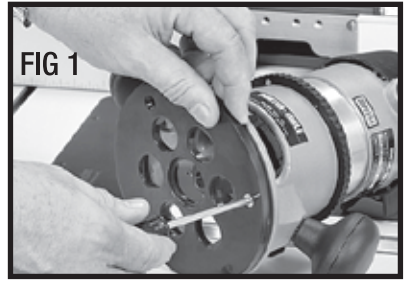
DIAGRAM LETTER	(QTY)	PART NAME
A	(1)	Aluminum Router Mounting Plate
B	(1)	1" Twist Lock Ring
C	(1)	Guide Bushing Twist Lock Ring
D	(1)	2-5/8" Twist Lock Ring
E	(1)	Spanner Wrench
N/A		Router Mounting Hardware
	(1)	Router Mounting Screws
	(1)	Starting Pin
N/A	(8)	Leveling Screws
N/A	(1)	1/8" Hex Key

Woodpeckers Cast Aluminum Router Mounting Plate provides a stable and versatile way to mount your router in a table. Woodpeckers Router Table Tops are machined with a precisely fitting opening for the plates. If you are making your own router table, we offer a template that simplifies cutting the rabbet in your opening (Part #INSTEMP).

If you think you're missing anything, email us at mailroom@woodpeck.com.
You can also call us at 800-752-0725 from 9:00 a.m. to 5:00 p.m. EST Monday - Friday.

Before putting the plate in the table, mount your router to the plate.

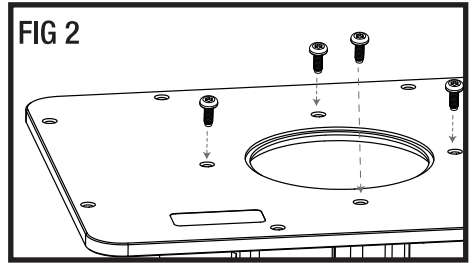
1. Remove the plastic plate from the bottom of your router. (With the exception of certain DeWalt plunge routers, which have thin bases that stay in place.) **FIGURE 1**



2. Next attach the router to the Mounting Plate using the four screws provided.

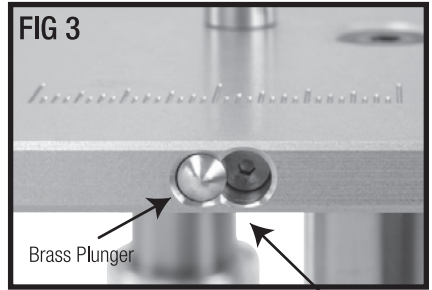
FIGURE 2

3. There are two Brass Plungers in the Plate, one in a long edge and one in a short edge of the Plate. **FIGURE 3**



Once your router is attached, set the Plate in the table with the Brass Plunger in the long edge pointing toward the fence.

The fit is adjustable by turning the small Adjustment Screw next to each Brass Plunger. Make small adjustments of about 1/4 turn. The fit in the table opening should be just snug enough to eliminate side play.



Turn the Adjustment Screw counter-clockwise to tighten the fit, clockwise to loose it. Both Brass Plungers should be adjusted.

LEVELING

The (8) set screws around the perimeter of the Plate are Leveling Screws. They are used for setting the Plate flush to the table. **FIGURE 4**

The Leveling Screws will start easily but quickly tighten up, this is normal. They're design to go in tight to prevent vibration from causing them to change position. However care must be taken to start them out properly and not to cross-thread them.

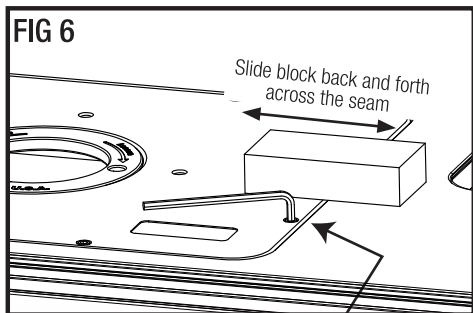
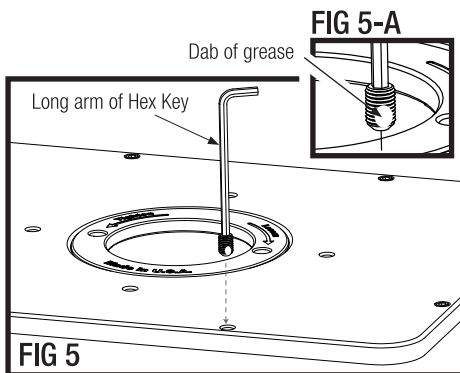
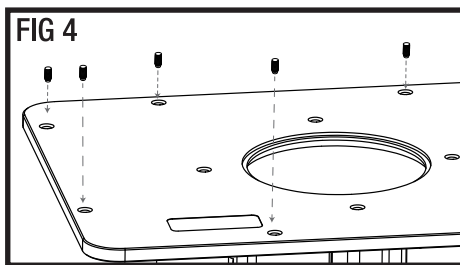
NOTE: Initial leveling should be done with just (4) of the Leveling Screws, two each on opposite ends of the Plate.

1. Apply a dab of general purpose grease to the outside of the Leveling Screw. **FIGURE 5-A**

2. Next using the long leg of the Hex Key carefully start the Leveling Screw into the Plate. **FIGURE 5**

3. Switch to the short leg of the Hex Key and turn the Leveling Screw in until it is flush to the top of the Plate. It will take a little effort to get the Leveling Screw all the way in.

4. By sliding a small block of wood across the seam of the Plate and table, you can easily tell if an adjustment is necessary. The simplest way to level a plate is to only use the two screws in each short edge of the plate. Once the short edges are flush with the table top, adjust the remaining four for support. **FIGURE 6**



Adjust height of Leveling Screw to set the Plate flush to the table

REV060220

Woodpeckers[®]

PRECISION WOODWORKING TOOLS

Woodpeckers, LLC Strongsville, Ohio · ***woodpeck.com***

© 2020 Woodpeckers, LLC



WARNING! This product can expose you to chemicals, including chromium, which is known to the State of California to cause cancer and birth defects or other reproductive harm. For more information go to www.P65Warnings.ca.gov