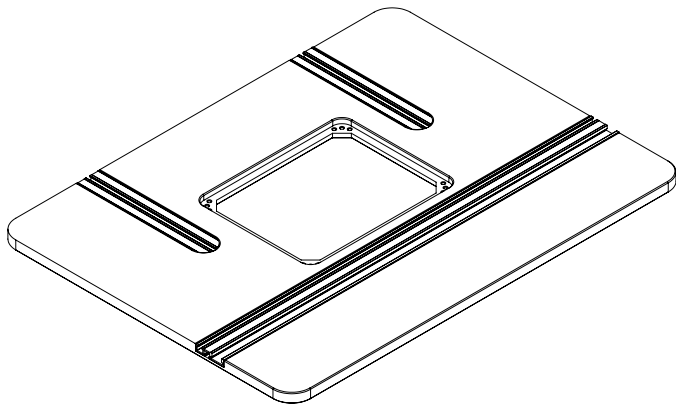


# Woodpeckers®

PRECISION WOODWORKING TOOLS

## PHENOLIC ROUTER TABLE ASSEMBLY

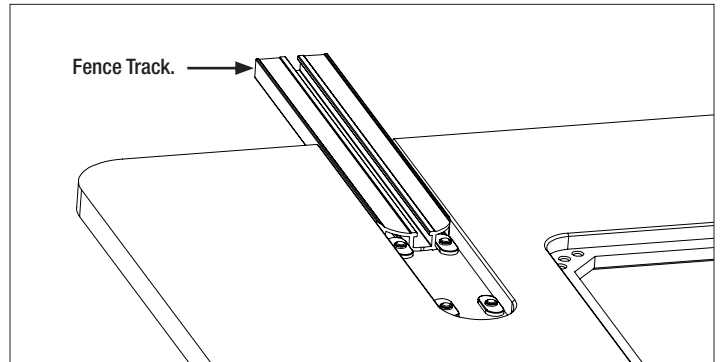


### DIMENSIONS:

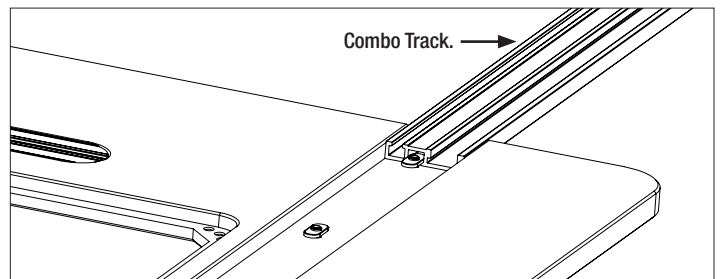
Opening	9¼" x 11¾" x ⅜"
RT2432-PH	23½" x 31½" x ¾"
RT2743-PH	27" x 43" x ¾"

Made in U.S.A.

If you think you're missing anything, email us at [mailroom@woodpeck.com](mailto:mailroom@woodpeck.com). You can also call us at (440) 230-2442 from 9:00 am to 5:00 pm EST Monday - Friday.



With the single T-slot side of the fence track facing up, slide the track into the recess making sure that the oval nuts slip into the two bottom T-slots. Tighten all six screws. Repeat for the other piece of fence track.

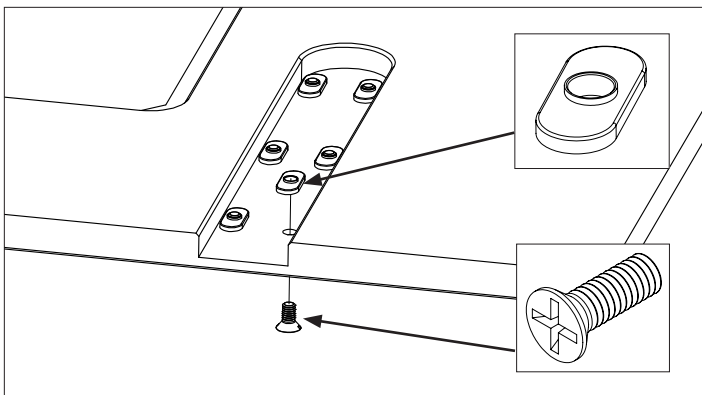


### Step 2. Installing the Combo Track.

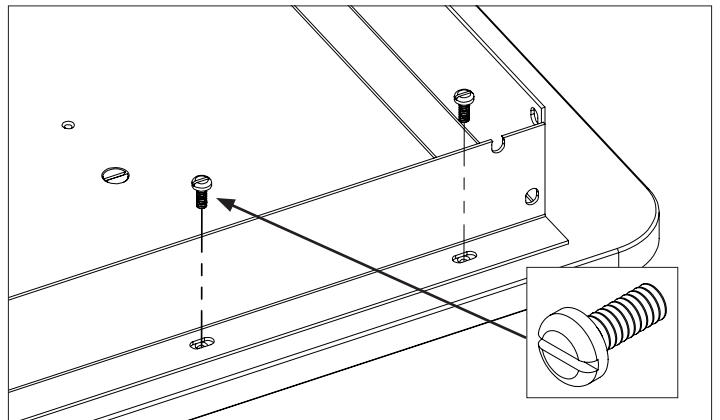
Installation of the combo track works the same as the fence track. The single T-slot side faces down. Slide the track in until all five oval nuts are engaged in the slot. Tighten the screws.

### Step 1. Install Fence Track.

Two pieces of fence track are included with your router table. The fence tracks fit into the machined recesses with the rounded end.



Begin by loosely assembling the flat head screws and oval nuts up through all of the holes in each recess. There are six in each of the fence track recesses.



The Woodpeckers Phenolic Router Table easily attaches to the matching Steel Router Table Stand. The bottom of the table is pre-drilled and tapped for the 10-24 x ½" screws.

If different holes are needed, be careful to not drill through the table. Phenolic can easily be tapped.