

# Woodpeckers<sup>®</sup>

## CLAMP-N-GUIDE

OWNER'S MANUAL

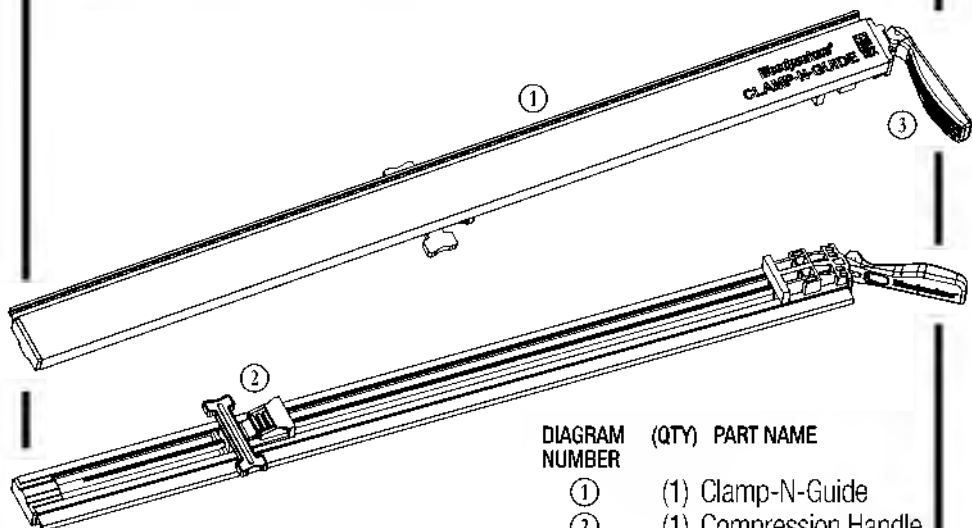
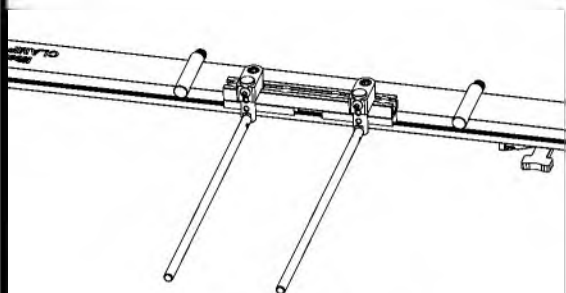


DIAGRAM NUMBER	(QTY)	PART NAME
①	(1)	Clamp-N-Guide
②	(1)	Compression Handle
③	(1)	Slide Lock



Clamp-N-Guide Router Adapter  
Sold Separately



Scan the QR code above  
to watch the video  
or visit [woodpeck.com](http://woodpeck.com)  
under the video tab towards  
the bottom of the product page.

If you think you're missing anything, email us at [mailroom@woodpeck.com](mailto:mailroom@woodpeck.com).  
You can also call us at 800-752-0725 from 9:00 a.m. to 4:00 p.m. EST Monday - Friday.

## I. USING YOUR CLAMP-N-GUIDE

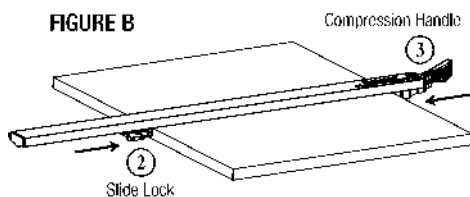
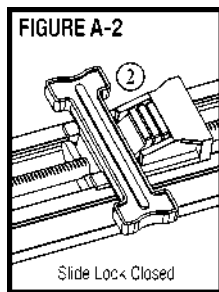
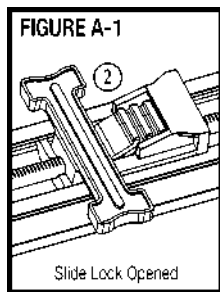
1. Look at the Slide Lock ② on the underside of the Clamp-N-Guide ①. If you hold the clamping pad in place and push the wider "dog-bone" shaped piece toward the clamping pad you'll notice it collapses. This engages the clutches on the knurled center rod.

### Figures A1-2

2. Pulling the "dog-bone" away from the clamping pad releases the clutches and allows the Slide Lock to adjust easily in either direction.

3. To clamp the Clamp-N-Guide on a piece of stock, open the Compression Handle completely and place the Compression Handle end of the clamp on your material. Slide the Slide Lock up to the material and make sure the clutches engage. **Figure B**

4. Close the Compression Handle completely. You'll notice there is a "half-way" stop of the Compression Handle. This partially locked position allows you to make fine adjustments to the position of the Clamp-N-Guide before closing the Compression Handle completely.



# Woodpeckers®

Woodpeckers, LLC Strongsville, Ohio

**woodpeck.com**

© 2023 Woodpeckers, LLC



woodpeck.com

**At Woodpeckers we are constantly reviewing & improving our tools. The most current version of our instruction manuals are always available to download at [woodpeck.com](http://woodpeck.com).**

*(Located in the bottom section of the tool's page under the "Additional Information" or "Instructions" tabs.)*



**Be the first to know all the new products, *OneTIME Tools* & sales by subscribing to our eClub.** *(Located at the top center of our webpage [woodpeck.com](http://woodpeck.com).)*



**Subscribe to our YouTube channel to stay up-to-date on all the latest tool tips & tricks.**



**INTERACT WITH US! Follow us on Facebook, Instagram & TikTok!**



**Enjoy shop tips, project ideas, tool techniques & more in our Woodworking Resource Center/Blog.** *(Located at the bottom center of our webpage [woodpeck.com](http://woodpeck.com).)*



**WARNING!** This product can expose you to chemicals, including chromium, which is known to the State of California to cause cancer and birth defects or other reproductive harm. For more information go to [www.P65Warnings.ca.gov](http://www.P65Warnings.ca.gov)