

Woodpeckers® CLAMP RACK-IT™

OWNER'S MANUAL

The Clamp Rack-It™ is a space saving method for storing your parallel clamps.

INSTALLATION:

1. Find a solid mounting area such as a stud or wood wall. It is not recommended to install directly into drywall or lower strength wall types.

2. Using one side of the Clamp Rack-It, mark the top-hole location. *FIGURE A*

3. Drill a pilot hole for the 1/4" lag bolt.

4. Thread the 1/4" lag bolt into the pilot hole, leaving a minimum of 1/4" clearance between the head of the screw and the wall. *FIGURE B*

5. Hold the Clamp Rack-It section in place and mark the location of the lower hole. (Suggest using a level to insure it is plumb). *FIGURE C*

6. Remove the Clamp Rack-It and drill the second pilot hole and install the second lag screw to the same depth as the first. *FIGURE D*

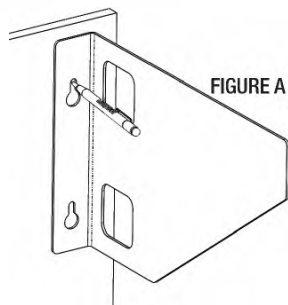


FIGURE A

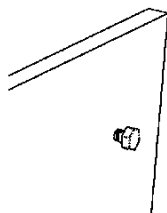


FIGURE B

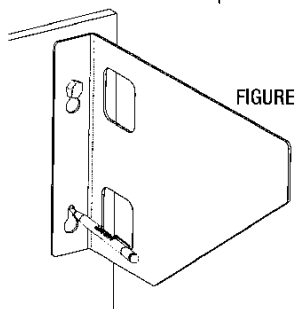


FIGURE C

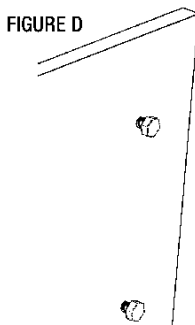
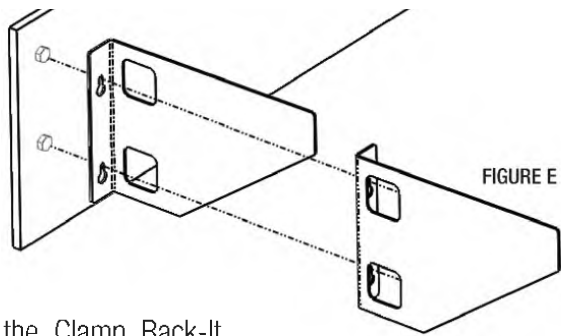


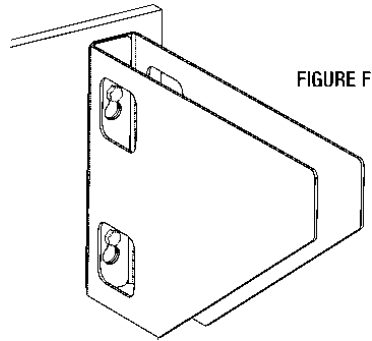
FIGURE D



7. Place both sides of the Clamp Rack-It, (right hand side first as shown) over the lag bolts. *FIGURE E*

8. Tighten both lag bolts. *FIGURE F*

9. Now you're ready to RACK your CLAMPS!



If you think you're missing anything, email us at mailroom@woodpeck.com.
You can also call us at 800-752-0725 from 9:00 a.m. to 5:00 p.m. EST Monday - Friday.

Woodpeckers®

PRECISION WOODWORKING TOOLS

Woodpeckers, LLC Strongsville, Ohio · [woodpeck.com](http://www.woodpeck.com)

© 2020 Woodpeckers, LLC

REV121418



WARNING! This product can expose you to chemicals, including chromium, which is known to the State of California to cause cancer and birth defects or other reproductive harm. For more information go to www.P65Warnings.ca.gov