

Woodpeckers[®]

DADO SET-UP FIXTURE

O W N E R ' S M A N U A L

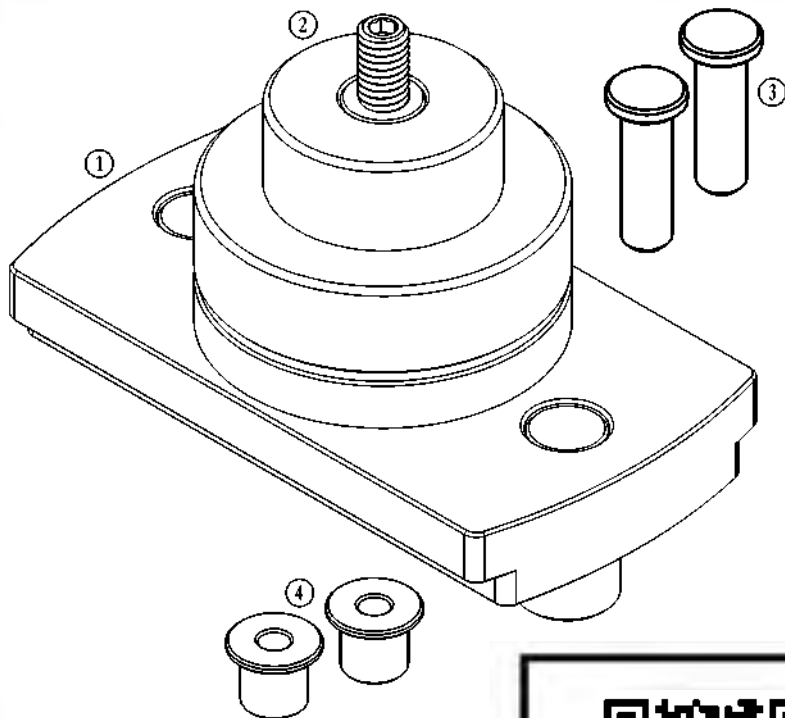


DIAGRAM NUMBER	(QTY)	PART NAME
①	(1)	Base
②	(1)	Knurled Knob
③	(2)	Locating Pin
④	(2)	Bushing

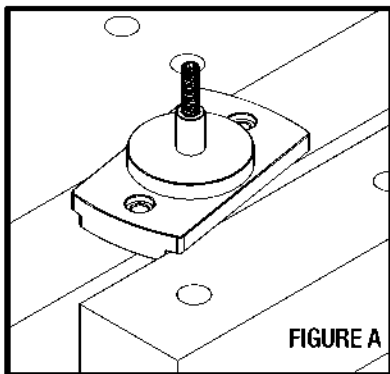


Scan the QR code above
to watch the video
or visit woodpeck.com
under the video tab towards
the bottom of the product page.

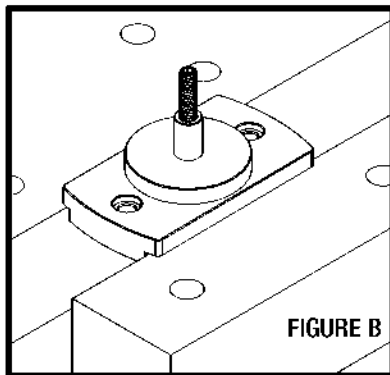
If you think you're missing anything, email us at mailroom@woodpeck.com.
You can also call us at 800-752-0725 from 9:00 a.m. to 4:00 p.m. EST Monday - Friday.

MOUNTING THE DSF IN A VISE

1. Open the vise approximately 3" and rest the DSF (Dado Set-Up Fixture) on the top of the vise at a slight angle. **FIGURE A.**



2. Close the vise until the DSF is secured. The DSF is now ready to use. **FIGURE B.**

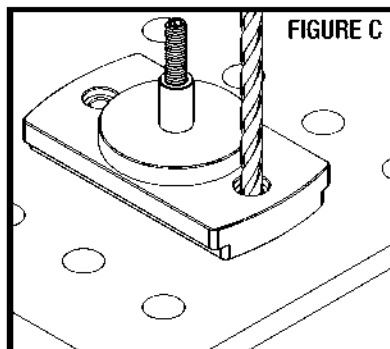


NOTE: If using a metal vise, use soft jaws or another means to protect the aluminum base of the DSF.

MOUNTING THE DSF IN A BENCH

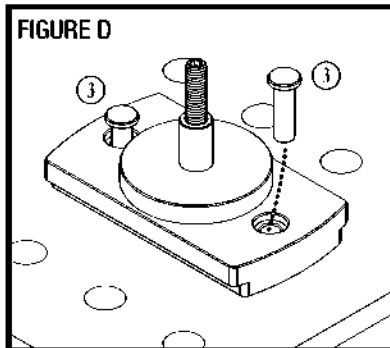
1. Locate and securely clamp the DSF into the desired location.

2. Using the built-in drill guides as a template, use a 3/8" drill bit and drill a hole a minimum of 3/4"-deep into your benchtop. **FIGURE C.**



3. Remove the DSF and clear away the debris.

4. Relocate the DSF and drop the (2) Locating Pins (3) into the drill holes. **FIGURE D.** Your DSF is ready to use.

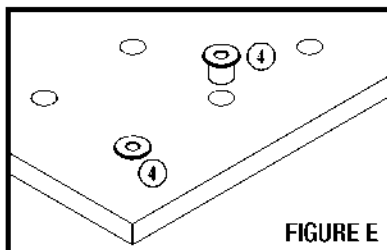


NOTE: Adding a small chamfer to the top of the holes will aid in locating the pins.

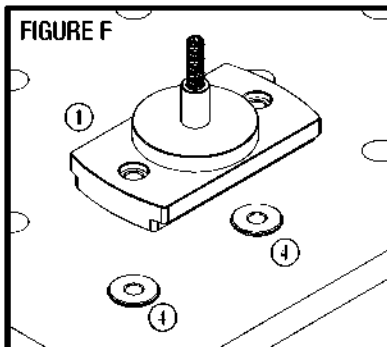
MOUNTING THE DSF TO A FESTOOL MFT TABLE

The Woodpeckers DSF comes with bushings that precisely locate the DSF in the holes on the MFT table.

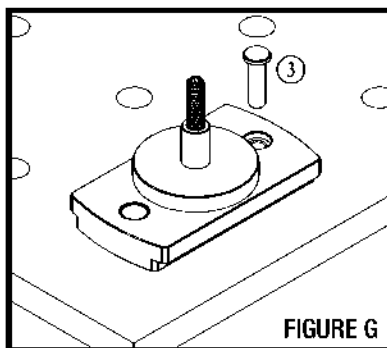
1. Install the (2) Bushings ④ into two adjacent horizontal or vertical holes on the MFT table. **FIGURE E.**



2. Align the Base ① with the (2) Bushings ④ so the heads of the Bushings are in the recessed areas of the DSF body. **FIGURE F.**



3. Install the (2) Locating Pins ③ through the Bushings and into the MFT bushings. The DSF is now ready to use. **FIGURE G.**



SETTING THE DADO BLADE WIDTH

1. Mount the DSF on your bench, vise, or MFT table, as listed on pages 2-3.

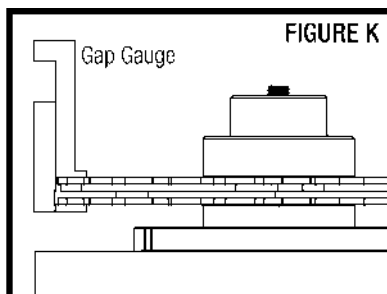
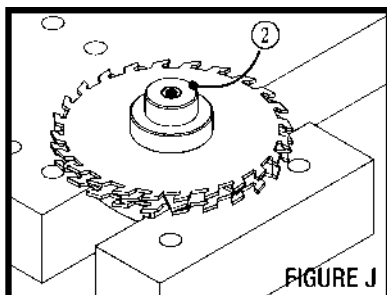
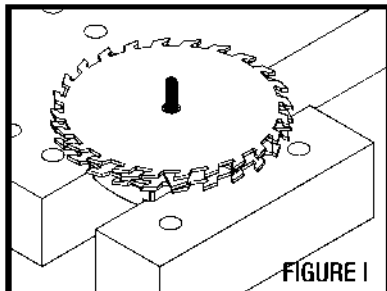
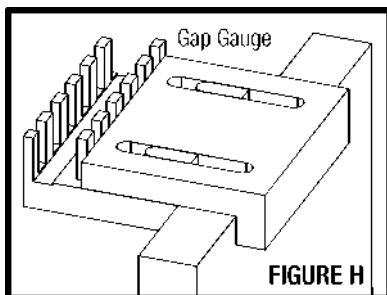
Determine the desired thickness needed. (We suggest using *Woodpeckers Gap Gauge*. Sold separately. **FIGURE H.**)

2. Select the combination of dado blades, chippers, and shims to the approximate thickness. **FIGURE I.**

Place the combination selected as they will be installed in the table saw, on to the DSF.

3. Using the Knurled Knob ②, clamp the dado stack down. **FIGURE J.**

4. Measure the width of the dado stack. Remove the Knurled Knob and make adjustments as necessary or install in your table saw. **FIGURE K.**



Woodpeckers®

PRECISION WOODWORKING TOOLS

Woodpeckers, LLC Strongsville, Ohio · woodpeck.com

© 2024 Woodpeckers, LLC

REV021 9/24



WARNING! This product can expose you to chemicals, including chromium, which is known to the State of California to cause cancer and birth defects or other reproductive harm. For more information go to www.P65Warnings.ca.gov