

Woodpeckers®

20" x 27" | RTS2027-22 / 20" x 37" | RTS2037-22

ADJUSTABLE ROUTER TABLE STAND

OWNER'S MANUAL

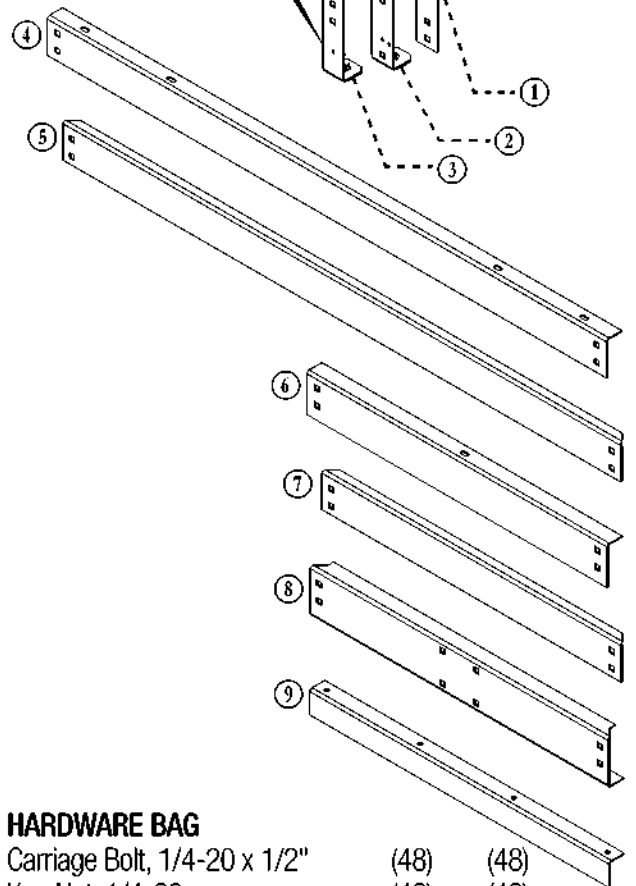
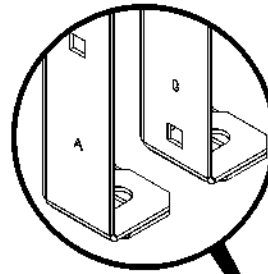
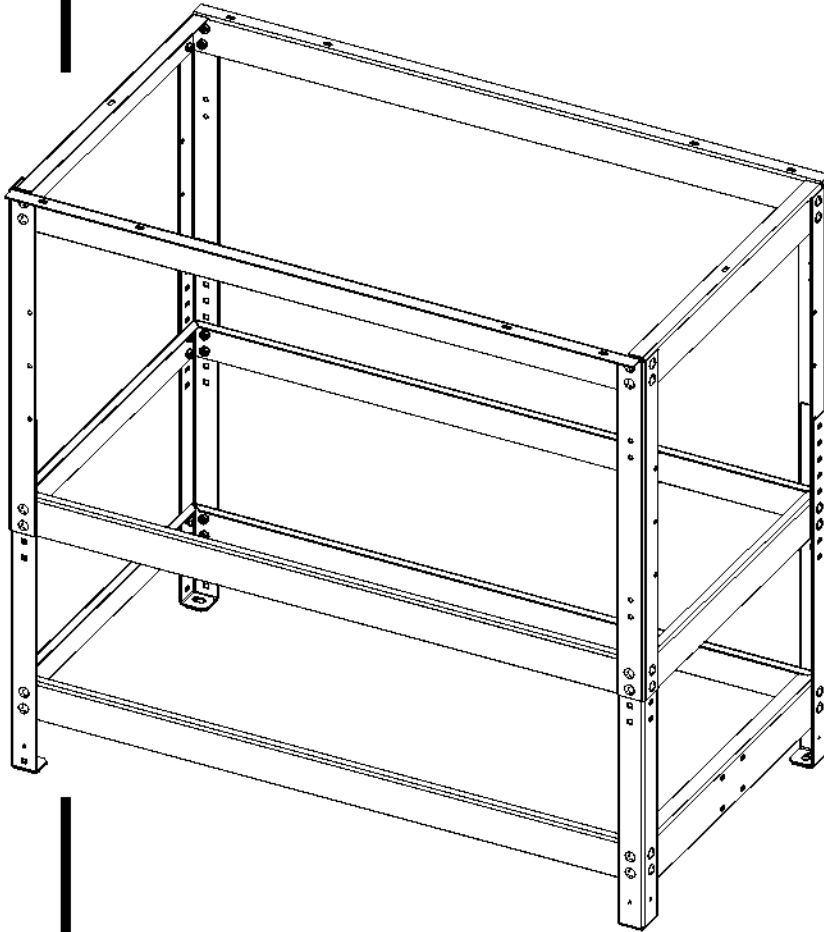


DIAGRAM NUMBER	PART NAME	QTY 20 x 27 MODEL	QTY 20 x 37 MODEL
①	Upper Leg <i>3 center holes for JessEm Switch 4 holes for Kreg Switch</i>	(4)	(4)
②	Long Bottom Leg "B", 21-1/2" <i>w/Flanged Foot</i>	(2)	(2)
③	Short Bottom Leg "A", 21" <i>w/Flanged Foot</i>	(2)	(2)
④	Long Table Brace	(2)	(2)
⑤	Long Shelf Brace	(4)	(4)
⑥	Table Brace, 20"	(2)	(2)
⑦	Shelf Brace, 20"	(3)	(3)
⑧	Wheel Brace, 20"	(1)	(1)
⑨	Floating Table Brace, 20"	(2)	(2)

HARDWARE BAG

Carriage Bolt, 1/4-20 x 1/2"	(48)	(48)
Kep Nut, 1/4-20	(48)	(48)
Phillips Pan Head Screw 10 x 3/4"	(18)	(18)
Leveler Foot	(4)	(4)
Nut, 3/8"	(8)	(8)
Washer, 3/8"	(8)	(8)
Lock Washer, 1/4" Split	(4)	(4)

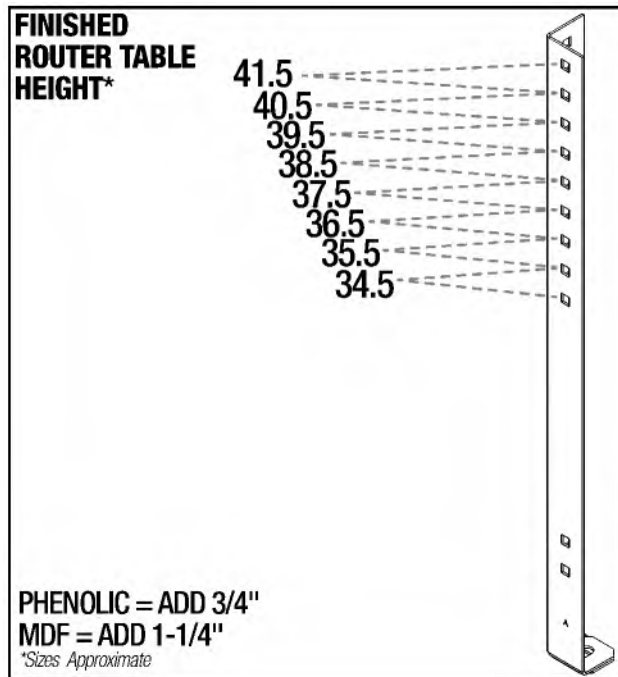
If you think you're missing anything, email us at mailroom@woodpeck.com.
Or, check the "Manuals" tab on the product page for an up to date version of this manual.
You can also call us at 800 752 0725 from 9:00 a.m. to 4:00 p.m. FST Monday - Friday.

I. IMPORTANT INTRO NOTES

•**A.** Each assembled Leg is made up of an Upper and Lower section. The Upper Legs ① have 3 center holes for JessEm brand switch or 2 holes toward the front and 2 holes toward the bottom for the Kreg brand switch.

•**B. IMPORTANT!** Do not fully tighten any fasteners until the complete Router Table Stand is attached to your router table. Leave everything just finger tight.

•**C.** The multiple holes toward the tops of the Bottom Legs ② & ③ are spaced 1" apart. It's important to plan ahead as to what you want the finished height to be. If you measure the assembled Upper and Bottom Legs together and add the thickness of your top plus another inch for the Leveler Feet you will have the approximate finished height.



II. ASSEMBLY

1. Nest and align (see Section I, B.) the slots in the Short Bottom Leg ③ with the Upper Leg ①. Ensure that the Upper Leg is on the outside of the Lower Leg. Place the Shelf Brace ⑦ on top of the Short Bottom Leg assembly. **FIGURE 1.**

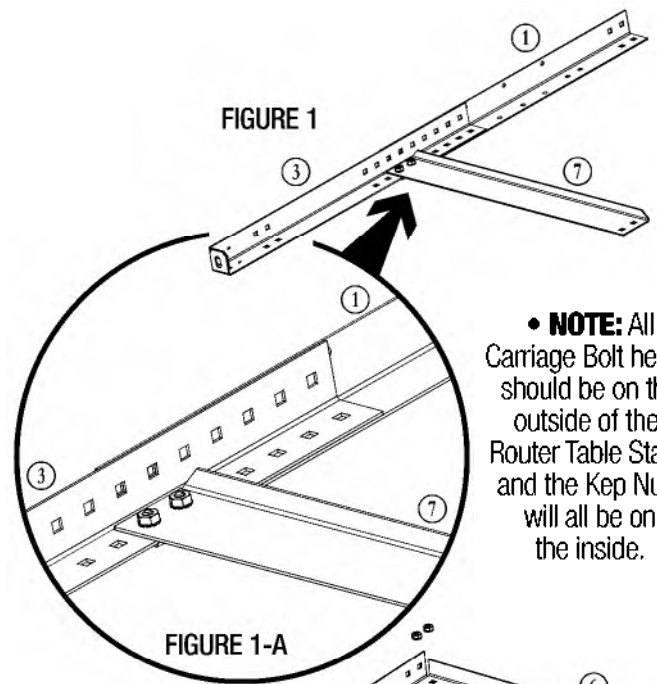
NOTE: See Finished Router Table Height Chart above to properly align the Router Table Stand.

2. Insert the (2) Carriage Bolts through the assembly and secure using (2) Kep Nuts. **FIGURE 1-A.** The adjacent (2) Carriage Bolts and Kep Nuts will be installed later. As a reminder, do not fully tighten any of the Carriage Bolts, at this point they should only be finger tight.

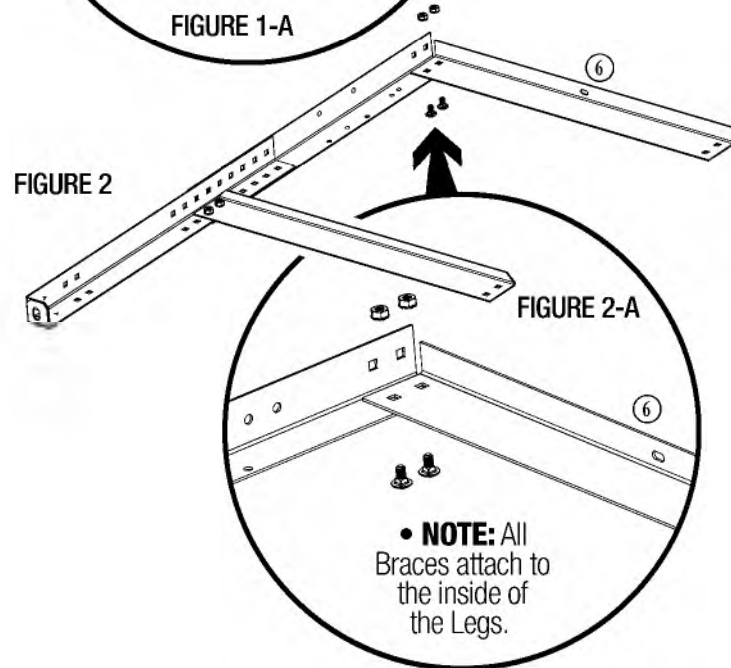
2. Attach one end of the Table Brace ⑥ to the Upper Leg. Make sure the flange with the hole is facing up, toward the top of the Leg. **FIGURE 2-A.**

3. Use (2) Carriage Bolts and Kep Nuts to attach the Wheel Brace ⑧ to the Lower Leg. Make sure the flange with the notched corners is facing up, toward the top of the Leg. **FIGURE 3.**

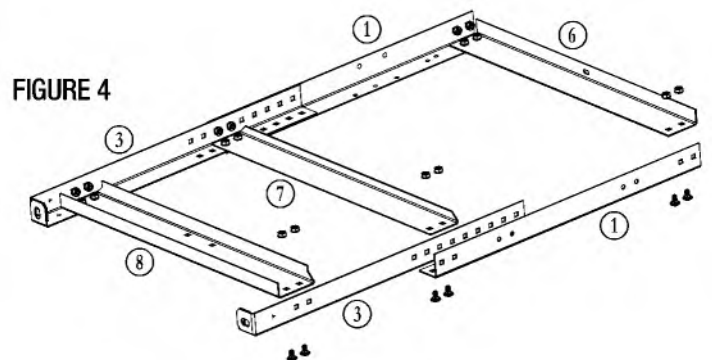
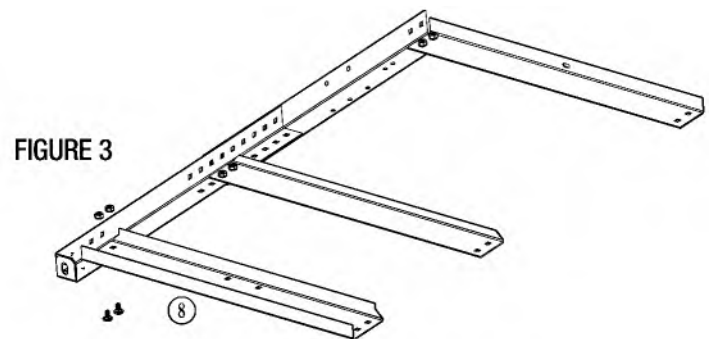
4. Attach the other Short Bottom Leg ③ and the Upper Leg ① to the Table Brace ⑥, Shelf Brace ⑦ and Wheel Brace ⑧ using Carriage Bolts and Kep Nuts. **FIGURE 4.**



• **NOTE:** All Carriage Bolt heads should be on the outside of the Router Table Stand and the Kep Nuts will all be on the inside.



• **NOTE:** All Braces attach to the inside of the Legs.



5. Nest and align (see Section I, B.) the slots in the Long Bottom Leg ② with the Upper Leg ①. Place the Shelf Brace ⑦ on top of the Long Bottom Leg assembly. **FIGURE 5.**

6. Insert the (2) Carriage Bolts through the assembly and secure using (2) Kep Nuts. The adjacent (2) Carriage Bolts and Kep Nuts will be installed later.

7. Attach one end of the Table Brace ⑥ to the Upper Leg. Make sure the flange with the hole is facing up, toward the top of the Leg.

8. Use (2) Carriage Bolts and Kep Nuts to attach the Shelf Brace ⑦ to the Lower Leg. Make sure the flange with the notched corners is facing up, toward the top of the Leg.

9. Attach the other Long Bottom Leg ② and the Upper Leg ① to the Table Brace ⑥, Shelf Brace ⑦ and Wheel Brace ⑧ using Carriage Bolts and Kep Nuts.

10. Place a Long Shelf Brace ⑤ between the previously assembled sides and secure using (2) Carriage Bolts and (2) Kep Nuts each side. **FIGURE 6.**

11. Install another Long Shelf Brace ⑤ on the opposite side of the first. You should now have two Braces installed.

12. Place another Long Shelf Brace ⑤ between the sides and secure using (2) Carriage Bolts and (2) Kep Nuts each side. **FIGURE 7.**

13. Install another Long Shelf Brace ⑤ on the opposite side of the first. You should now have four Braces installed.

14. Place a Long Table Brace ④ between the sides making sure that the flange on the Long Table Brace is facing outward. You'll need to slip it in just behind the Leg face. Secure using (2) Carriage Bolts and (2) Kep Nuts each side. **FIGURE 8.**

15. Install another Long Table Brace ④ on the opposite side of the first making sure that the flange on the Long Table Brace is facing outward. You should now have six Braces installed.

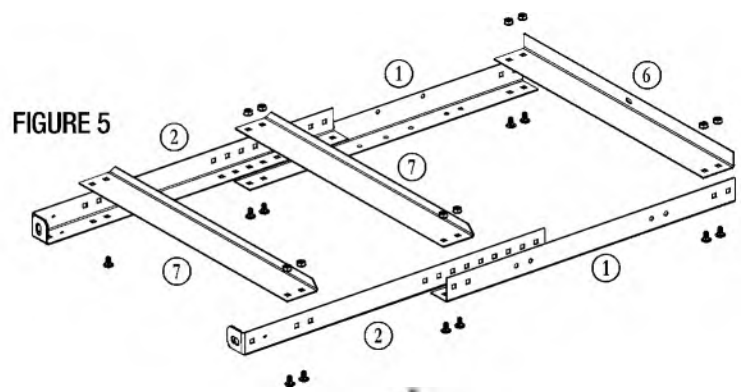


FIGURE 6

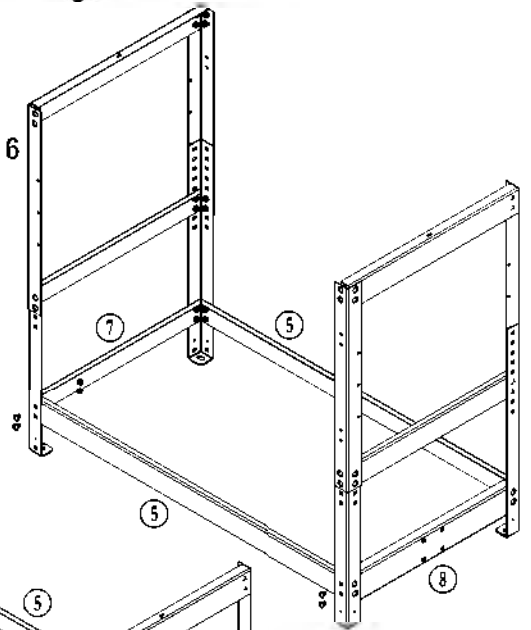


FIGURE 7

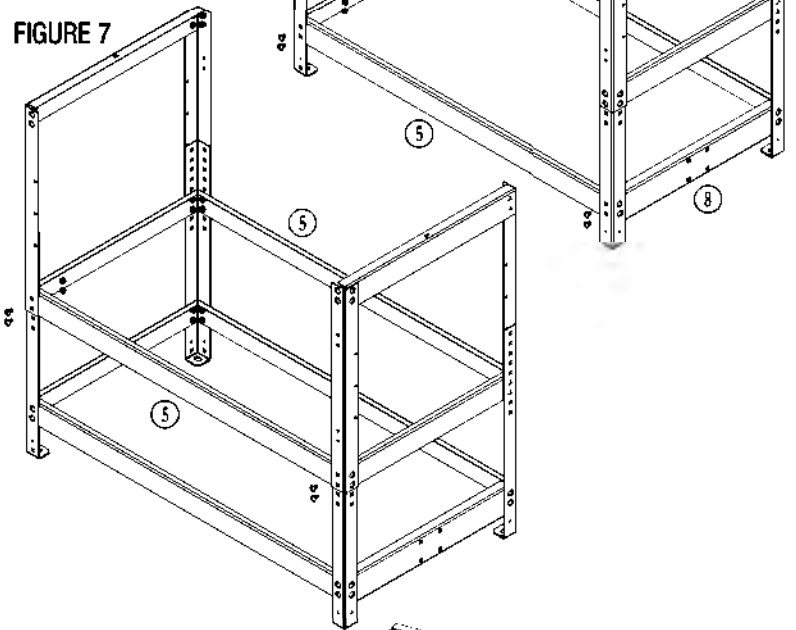
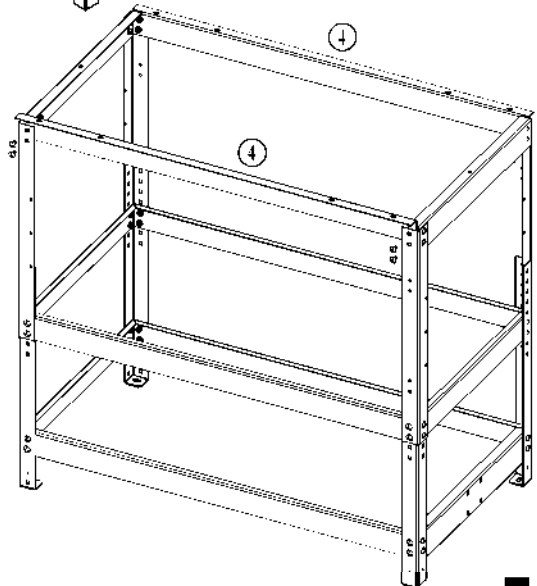


FIGURE 8



16. Turn the Router Table Stand upside down. **FIGURE 9.**

17. Start with the side of the Router Table Stand that has the Wheel Brace (8). Place a Nut and a Washer onto the threaded portion of a Leveler Foot. Push the Leveler Foot through the flanged foot in the Bottom Leg assembly. Attach with a Washer, Lock Washer and a Nut. **FIGURES 9-A.**

18. Optional Wheel Kits for the Router Table Stand are sold separately at Woodpeck.com

- **IF NO WHEEL KIT** is to be installed, install the (3) remaining Leveler Feet on the Bottom Legs as stated in *Section II., Step 17.* The Leveler Feet should be extended as much as possible when no wheel kit is used.
- **IF A WHEEL KIT** is to be installed, repeat *Section II., Step 17* on the adjacent Leg. The Leveler Feet should be retracted as much as possible when no wheel kit is used.

III. ATTACHING YOUR ROUTER TABLE TOP



The included #10 x 3/4" Phillips Pan Head Screws are provided for attaching a wooden router table top. The table top **MUST** be at least 1" thick. For attaching Woodpeckers Phenolic Router Table Top, use the screws included with the phenolic top.

1. Lay your router table top face down on a work surface. Set the assembled Router Table Stand upside down on to the router table top.
2. Center the Router Table Stand to the router table top and use a pencil to mark ten open slots.
3. Remove the Router Table Stand and drill a 5/32" pilot hole 3/4" deep in the center of each mark on the router table top.

NOTE: The tracks in your router table top must be installed before attaching the Router Table Stand.

IV. ATTACHING THE FLOATING BRACES

The Floating Table Braces (9) are designed to provide extra support to your router table top. Typically they're positioned about one inch to either side of the router opening.

They do not attach directly to the Router Table Stand.

1. Position the Floating Braces where desired on the router table top and use a pencil to mark 4 open slots.
2. Remove the Floating Braces and drill a 5/32" pilot hole 3/4" deep in the center of each mark on the router table top.
3. Attach the Floating Braces to the router table top using the Phillips Pan Head Screws.

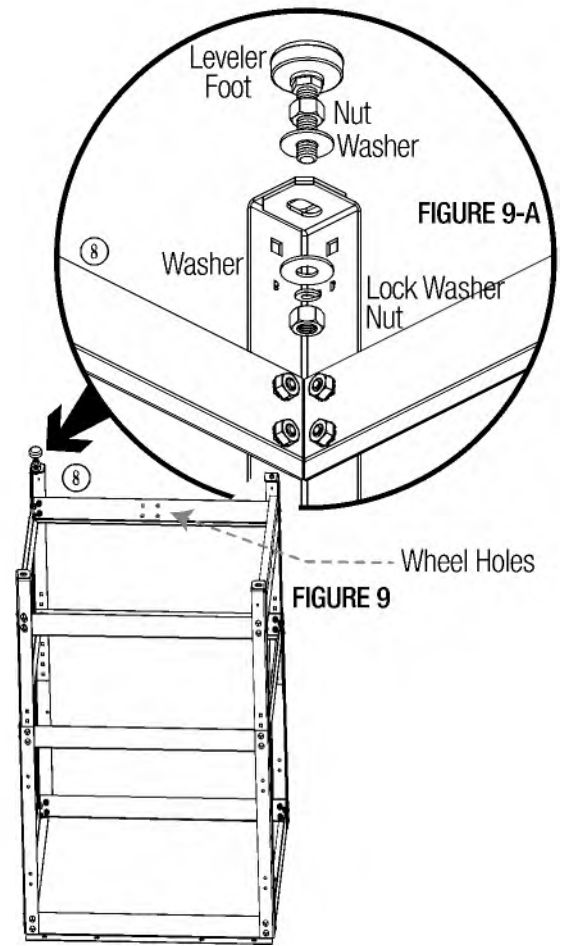
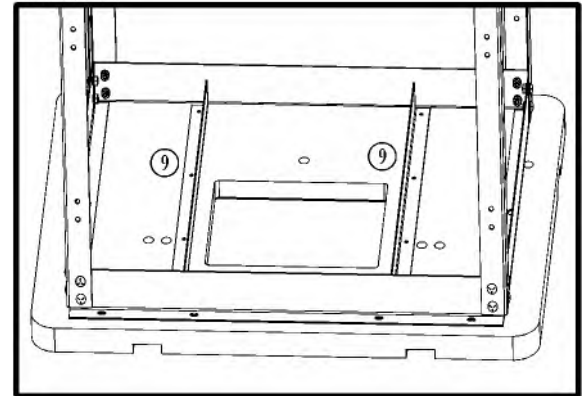


FIGURE 10



Woodpeckers[®]

Woodpeckers, LLC Strongsville, Ohio
woodpeck.com
© 2024 Woodpeckers, LLC



At Woodpeckers we are constantly reviewing & improving our tools. The most current version of our instruction manuals are always available to download at **woodpeck.com**.
(Located in the bottom section of the tool's page under the "Additional Information" or "Instructions" tabs.)



Be the first to know all the new products, **OneTIME Tools & sales** by subscribing to our eClub. (Located at the top center of our webpage **woodpeck.com**.)



Subscribe to our YouTube channel to stay up-to-date on all the latest tool tips & tricks.



INTERACT WITH US! Follow us on Facebook, Instagram & TikTok!



Enjoy shop tips, project ideas, tool techniques & more in our Woodworking Resource Center/Blog. (Located at the bottom center of our webpage **woodpeck.com**.)



WARNING!
This product can expose you to chemicals, including chromium, which is known to the State of California to cause cancer and birth defects or other reproductive harm. For more information go to www.P65Warnings.ca.gov