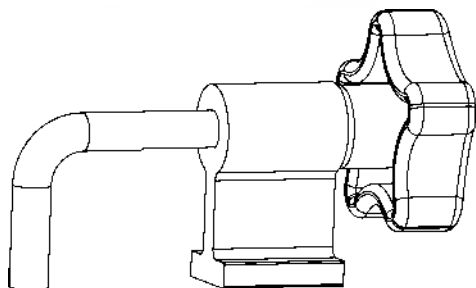


# Woodpeckers®

## CSP CLAMP

O W N E R ' S M A N U A L



Simplify your clamping workflow with the **Woodpeckers CSP Clamp!** The CSP Clamp is designed to work seamlessly with the Woodpeckers Clamping Square Plus *(Sold Separately)* and will streamline your clamping needs over bulky F-style clamps.

### TO SET YOUR WORKPIECES SQUARE:

1. Place your Clamping Square Plus on either the inside or outside of your workpiece. *Figure 1.*

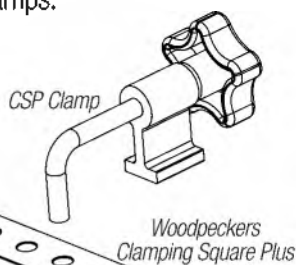


FIGURE 1

2. Insert your CSP Clamp Rod into the 3/8" hole on the Clamping Square Plus. *Figure 2.*

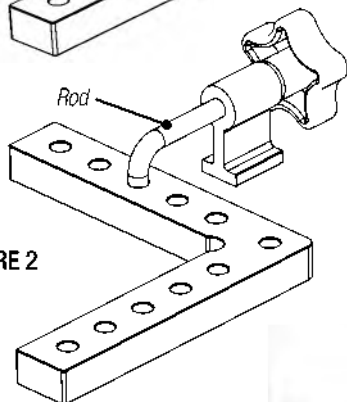
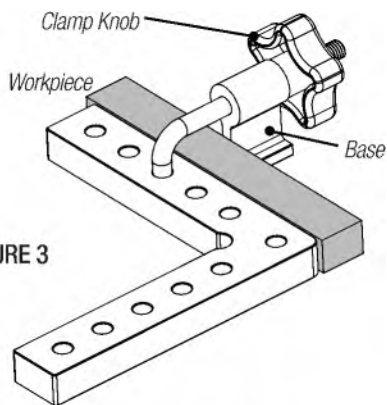


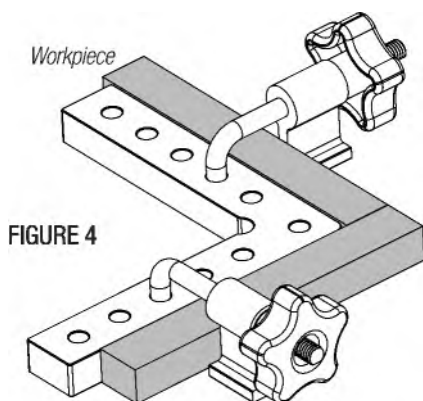
FIGURE 2

If you think you're missing anything, email us at [mailroom@woodpeck.com](mailto:mailroom@woodpeck.com).  
You can also call us at 800-752-0725 from 9:00 a.m. to 5:00 p.m. EST Monday - Friday.

3. Turn the Clamp Knob clockwise until the CSP Base and the Clamping Square Plus are snug on the workpiece. *Figure 3.*



4. Add second CSP Clamp. *Figure 4.*



**NOTE:** You can use any of the 3/8" holes on the arms of the Clamping Square Plus, but the further out from the center the better the hold.

# Woodpeckers®

PRECISION WOODWORKING TOOLS MADE IN USA  
Woodpeckers, LLC Strongsville, Ohio · [woodpeck.com](http://woodpeck.com)

© 2018 Woodpeckers, LLC

REV111318



**WARNING!** This product can expose you to chemicals, including chromium, which is known to the State of California to cause cancer and birth defects or other reproductive harm. For more information go to [www.P65Warnings.ca.gov](http://www.P65Warnings.ca.gov)