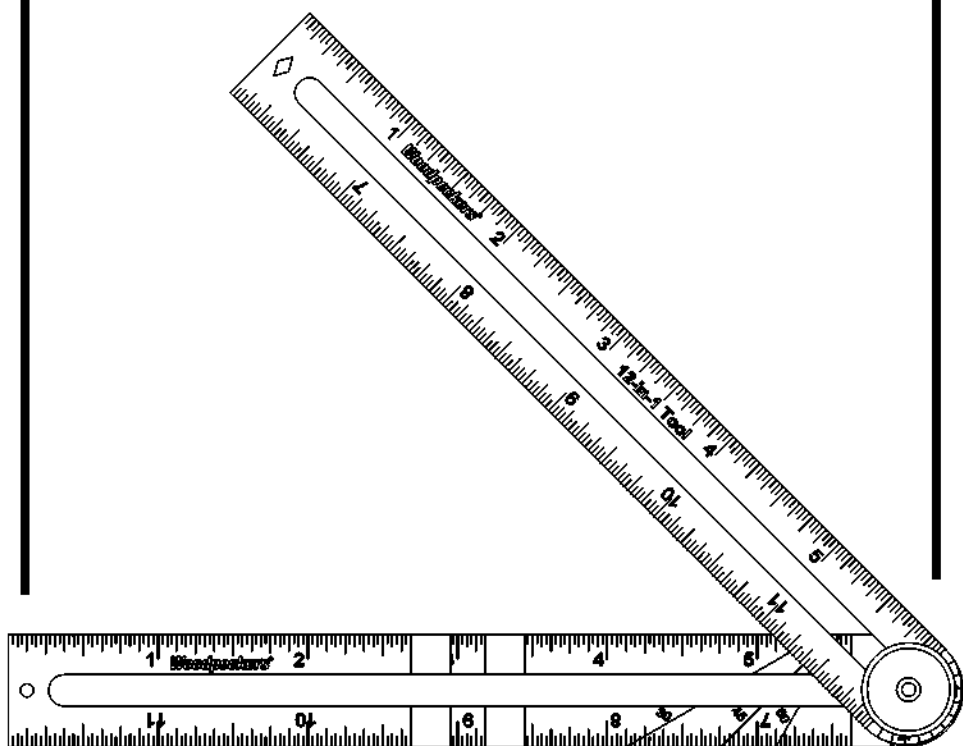


Woodpeckers®

12-IN-1 TOOL

OWNER'S MANUAL



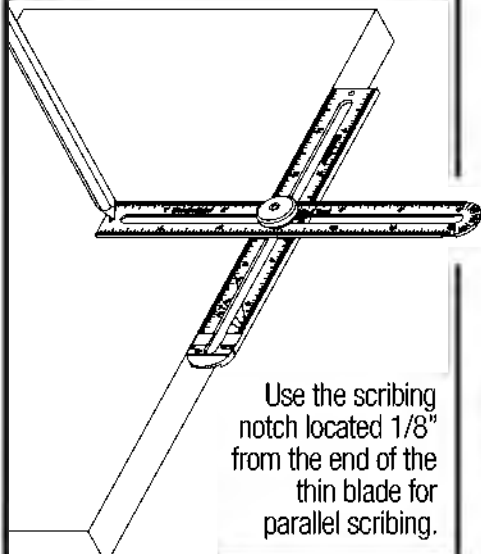
The first 12-in-1 Tool was patented in 1927 and made by the Hutchison Manufacturing Company of Nashville, TN. Your new 12-in-1 Tool performs the same dozen functions with the accuracy and quality materials you've come to rely on from Woodpeckers. Take a minute to review the Owner's Manual to understand all the functions of your new 12-in-1 Tool.



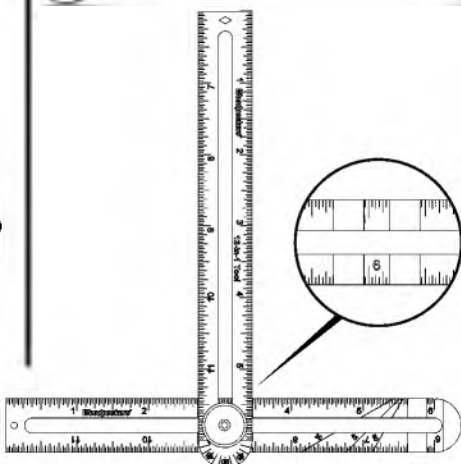
Scan the QR code above to watch the video or visit woodpeck.com under the video tab towards the bottom of the product page.

If you think you're missing anything, email us at mailroom@woodpeck.com. You can also call us at 800-752-0725 from 9:00 a.m. to 4:00 p.m. EST Monday - Friday.

1 Marking Gauge



2 T-Square



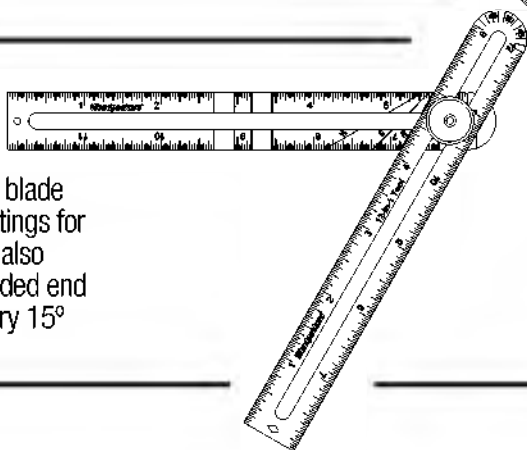
3 Bevel Gauge

Find the angle of any unknown assembly by tightening the blades while referencing the angle and using a protractor.



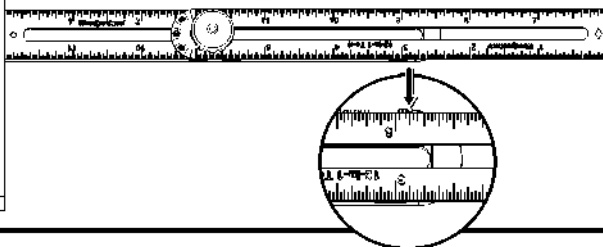
4 Protractor

Engraved markings on one blade give you laser-accurate settings for 30°, 45°, and 60°. You can also align the notch on the rounded end with angle markings at every 15° setting from 0° to 180°.



5 Inside Measuring

Slide the two square ends of each blade into an inside assembly to gauge the distance. One side reads right to left to align with notch.

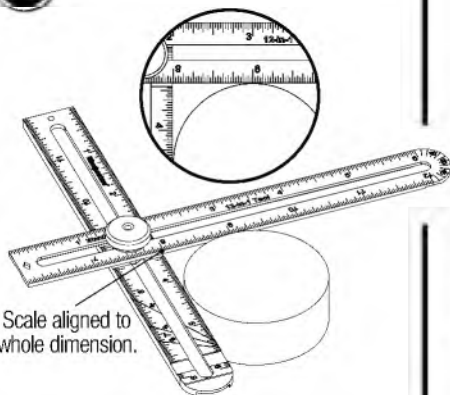


6 One-Foot Rule



Slide the two blades all the way apart and engage the grooves on the round end for a perfect one-foot rule.

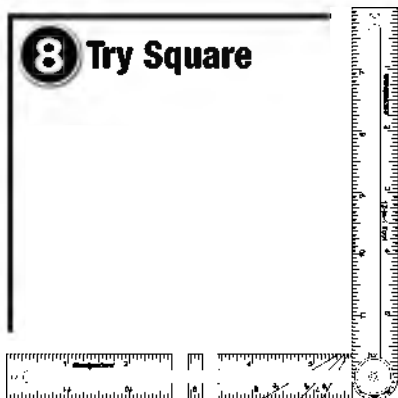
7 Diameter Gauge



Scale aligned to whole dimension.

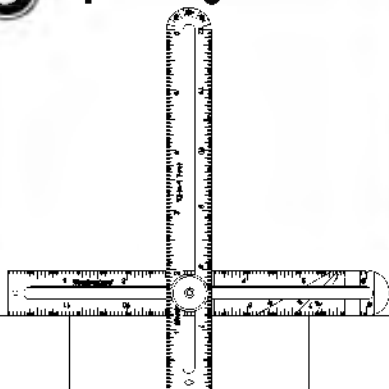
Lock the blades together at a right angle with the scale set to a whole dimension. Now, read the thin gauge where the blade touches the round object and calculate your radius. Double it for your diameter.

8 Try Square



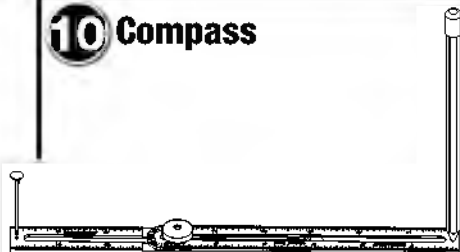
Engage the grooves on the rounded ends to lock the tool in a right angle.

9 Depth Gauge



Engage the grooves so the blades are at a right angle. Adjust the blade to the bottom of the recess and measure the depth.

10 Compass



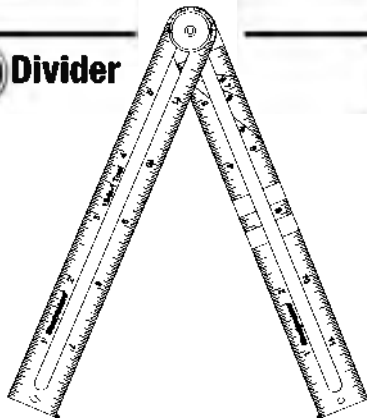
Slide the two blades parallel to each other and at the desired radius dimension. Fix one end with a brad nail and use the other to mark your arc or circle.

11 Transfer Angles



Transfer an angle or set an angle with a protractor for laying out angles.

12 Divider



Set the tool on two points using the inside corners and step off to set the dimension.

Woodpeckers®

Woodpeckers, LLC Strongsville, Ohio
woodpeck.com
© 2024 Woodpeckers, LLC



At Woodpeckers we are constantly reviewing & improving our tools. The most current version of our instruction manuals are always available to download at woodpeck.com.

(Located in the bottom section of the tool's page under the "Additional Information" or "Instructions" tabs.)



Be the first to know all the new products, *OneTime* Tools & sales by subscribing to our eClub. (Located at the top center of our webpage woodpeck.com)



Subscribe to our YouTube channel to stay up-to-date on all the latest tool tips & tricks.



INTERACT WITH US! Follow us on Facebook, Instagram & TikTok!



Enjoy shop tips, project ideas, tool techniques & more in our Woodworking Resource Center/Blog. (Located at the bottom center of our webpage woodpeck.com)