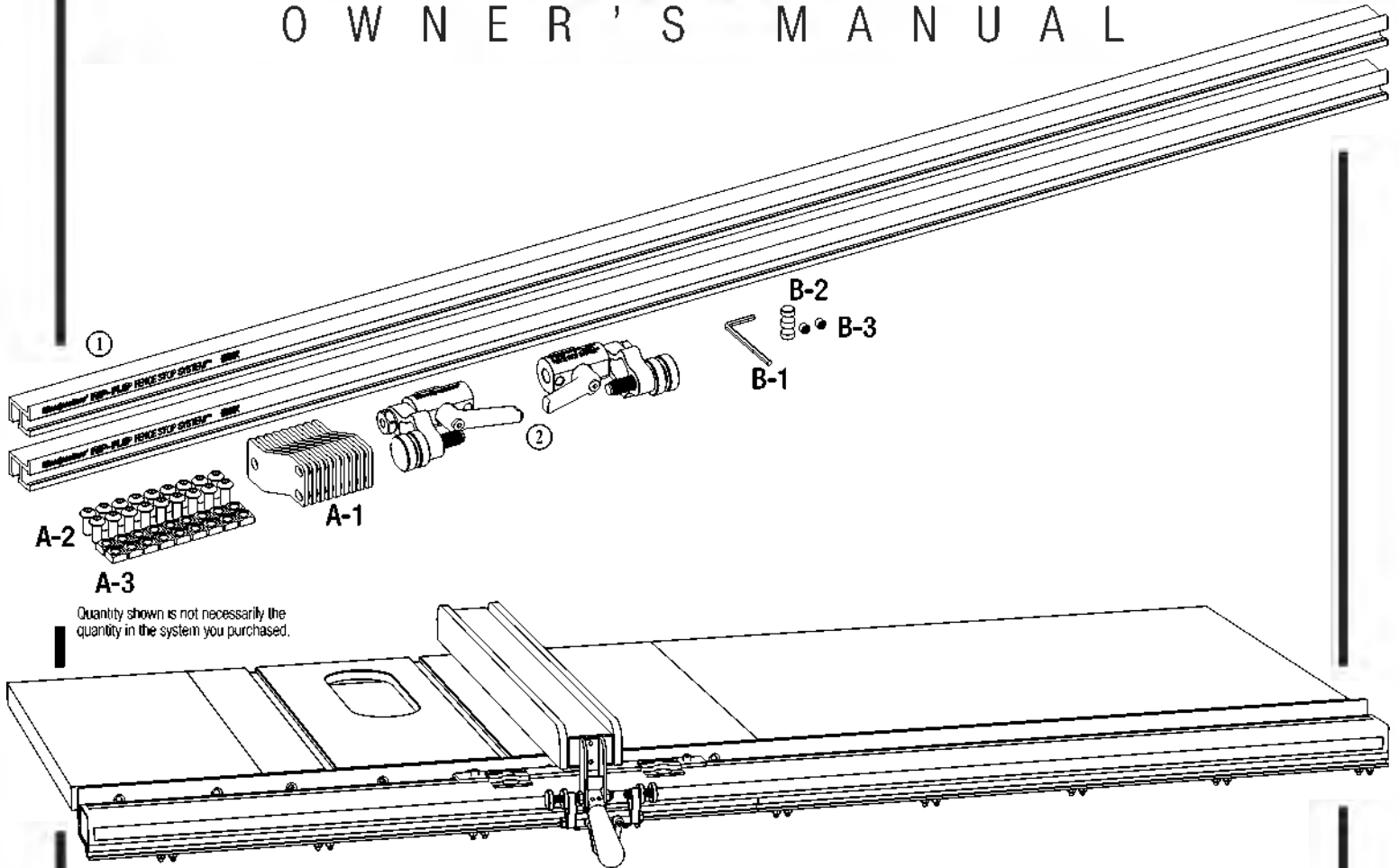


**FITS  
SAWSTOP**

# Woodpeckers®

## RIP-FLIP FENCE STOP SYSTEM™

### OWNER'S MANUAL



Quantity shown is not necessarily the quantity in the system you purchased.

Rip-Flip Fence Stop System™ - 36" Capacity - Fits SawStop RF-FS-32-SS  
 Rip-Flip Fence Stop System™ - 52" Capacity - Fits SawStop RF-FS-52-SS

DIAGRAM NUMBER	(QTY) 36"	(QTY) 52"	PART NAME
①	(2)	(2)	T-Slot Tracks
②	(2)	(2)	Rip-Flip Stops

#### HARDWARE BAG A-SS

A-1	(7)	(9)	Mounting Brackets
A-2	(14)	(18)	1/4"-20 x 5/8" Button Head Cap Screws
A-3	(14)	(18)	1/4"-20 Square Nuts

#### HARDWARE BAG B-SS

B-1	(1)	(1)	1/8" Hex Key
B-2	(1)	(1)	Dado Coupling Pin
B-3	(2)	(2)	1/4"-28 Cone Point Set Screw

Rip-Flip Fence Stop System allows you to make repeatable, accurate cuts at your table saw. Save time by setting the Rip-Flip Stop at any dimension you desire, and never have to worry again about repeating a critical cut. Two stops can be joined together with a coupling pin, establishing a stop on both sides of your fence. This makes it simple to cut perfect dados repeatedly, anywhere along your rip fence rail. When the Rip-Flip Stops are not needed, flip them down, and your fence can slide freely without interference.

If you think you're missing anything, email us at [mailroom@woodpeck.com](mailto:mailroom@woodpeck.com).  
 You can also call us at 800-752-0725 from 9:00 a.m. to 4:00 p.m. EST Monday - Friday.

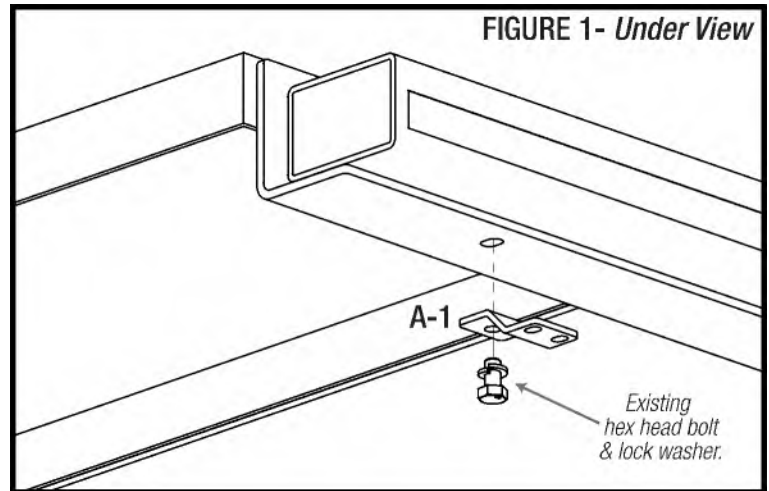
## I. INSTALLING THE MOUNTING BRACKETS

AT THIS POINT YOU WILL NEED:

Hardware Bag A:

A-1 Mounting Brackets

1. Starting at the far left - remove the hex head bolt and lock washer from the first position on the fence rail. *Note that you will re-use the hex head bolt and lock washers.*
2. Install Mounting Bracket(A-1) onto the bottom of the rip fence front tube, re-using the hex head bolt and lock washer from existing installation. Tighten the hex head bolt. **DO ONE MOUNTING BRACKET AT A TIME, to prevent changing the alignment of your rip fence rail. Mounting Brackets only need to be roughly aligned at this point.** FIGURE 1.
3. Repeat steps 1 & 2 for the remainder of the bolts and Mounting Brackets.



## II. INSTALLING T-SLOT TRACK

AT THIS POINT YOU WILL NEED:

① T-Slot Track

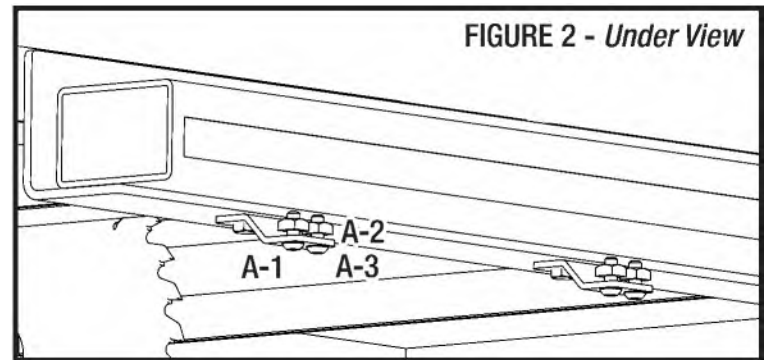
② Rip-Flip Stop

Hardware Bag A:

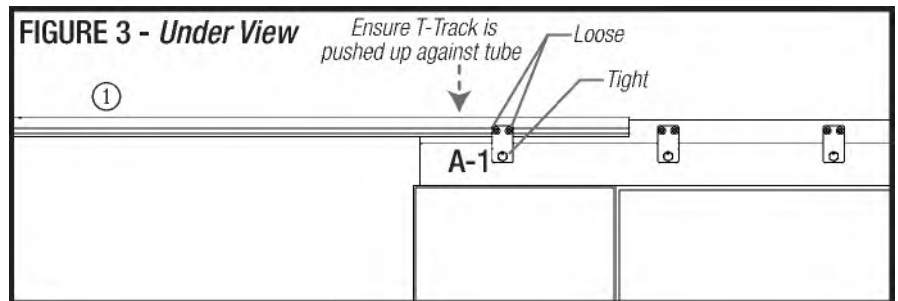
A-2 1/4"-20 x 5/8" Button Head Cap Screws

A-3 1/4"-20 Square Nuts

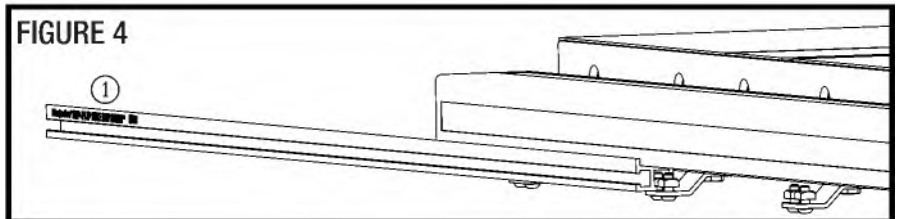
1. Insert Button Head Cap Screws(A-2) through the bottom slots of the Mounting Brackets. Loosely secure each Screw with a Square Nut(A-3). FIGURE 2.
2. Starting from the left - loosen -a single Mounting Bracket and slide the T-Slot Track① in so that the Square Nuts go into the rear channel of the T-Slot Track. FIGURE 3.



3. Slide the T-Slot Track in, leaving a few inches to the left and right of the first Mounting Bracket. Then push the T-Slot Track against the front tube until the "L" shape registers on the bottom corner of the front tube. **Tighten the first Mounting Bracket at this tube location ONLY.**



4. Continue down the length of the tube to align all Mounting Brackets with each other, loosening and tightening EACH Mounting Bracket ONE AT A TIME. Make sure to register the "L" shape against the front of the tube prior to tightening each Mounting Bracket. *(Do not secure the T-Slot Track at this time, it should still be able to slide left to right).* FIGURE 4.



5. Starting from the right - loosen -a single Mounting Bracket and slide the second T-Slot Track in so that the Square Nuts go into the rear channel of the T-Slot Track.

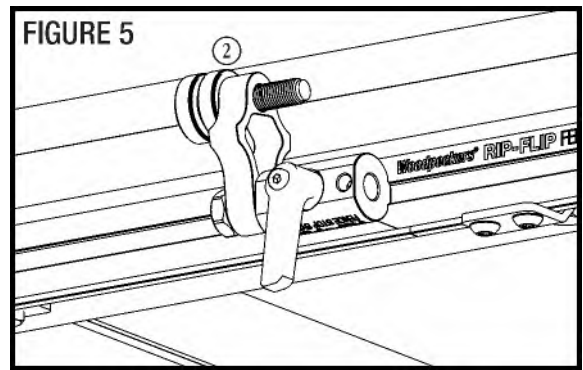
6. Slide the T-Slot Track in, leaving a few inches to the right and left of the first Mounting Bracket. Then push the T-Slot Track against the front tube until the "L" shape registers on the bottom corner of the front tube. **Tighten the first Mounting Bracket at this tube location ONLY.**

7. Continue down the length of the tube to align all Mounting Brackets with each other, loosening and tightening EACH Mounting Bracket ONE AT A TIME. Make sure to register the "L" shape against the front of the tube prior to tightening each Mounting Bracket. *(Do not secure the T-Slot Track at this time, it should still be able to slide right to left).*

8. The T-Slot Tracks should cover the entire length of the rip fence front tube, and not hang out past either side.

9. With all of the Mounting Brackets aligned and secured, slide a Rip-Flip Stop ② onto the T-Track. Clamp it into place over the seam of the two T-Tracks to ensure perfect alignment. **FIGURE 5.**

10. Tighten all the Button Head Screws on all of the Mounting Brackets to fully secure the T-Slot Tracks in place.



### III. ALTERNATE INSTALL INSTRUCTIONS

These instructions are an alternate way to install your new Rip-Flip system on your SawStop Cabinet Saw. **Following these instructions, there should always be at least 3 bolts securing the rip fence tube, preventing you from losing your fence alignment.**

#### AT THIS POINT YOU WILL NEED:

① T-Slot Track

② Rip-Flip Stop

Hardware Bag A:

A-2 1/4"-20 x 5/8" Button Head Cap Screws

A-3 1/4"-20 Square Nuts

1. Inspect the bottom side of your rip fence tube, and note how many of the existing bolts will land in each half of your Rip-Flip Track. **FIGURE 5.**

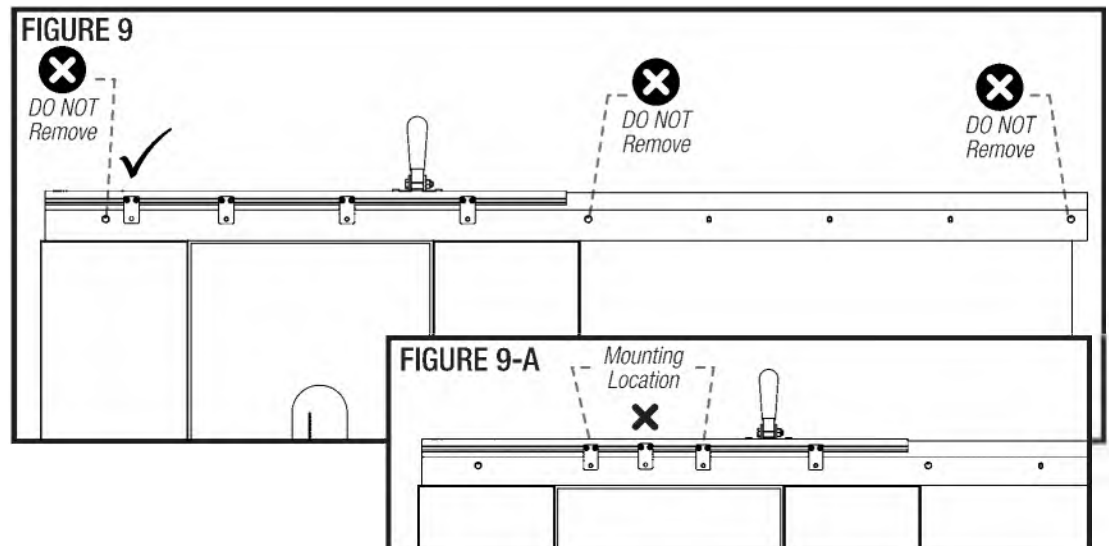
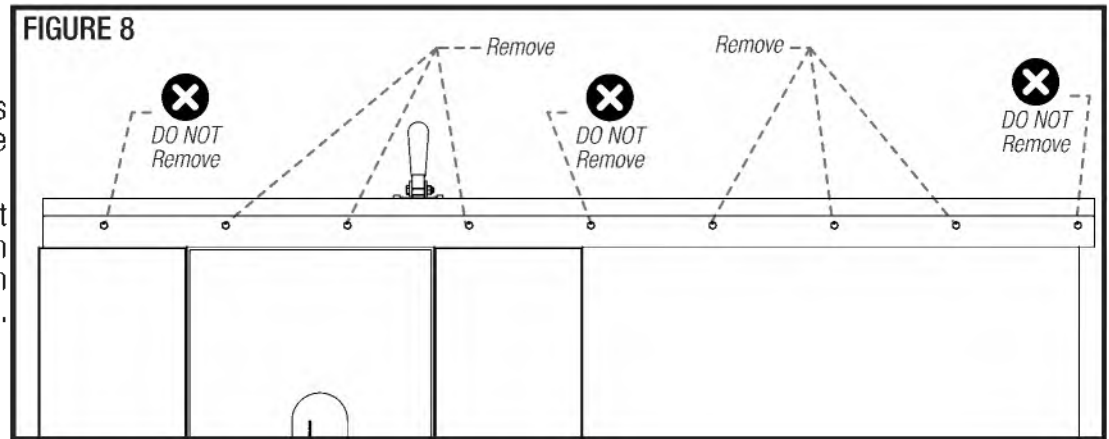
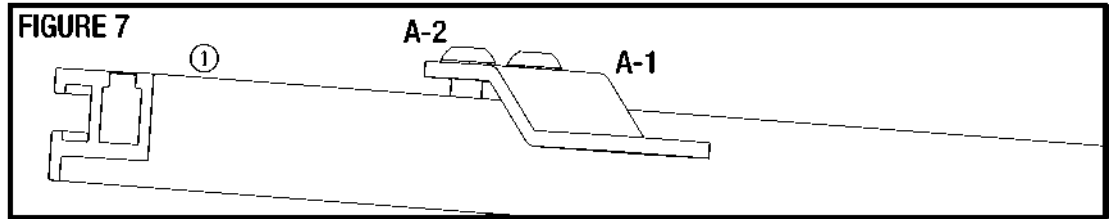
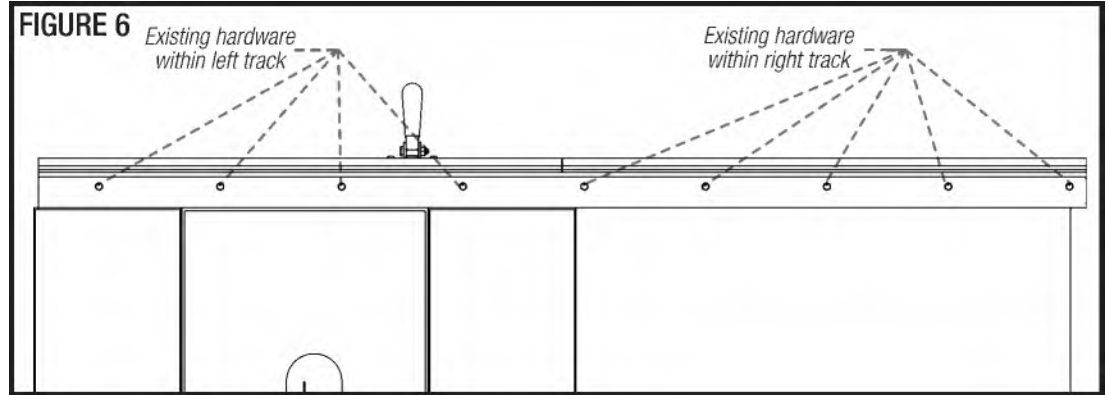
2. Pre-install Mounting Brackets (A-1) onto the Rip-Flip T-Slot Track ① using the Button Head Cap Screws (A-2) and Square Nuts (A-3). Install the corresponding number of Mounting Brackets to what you observed in *Step 1, Section III.* The Mounting Brackets should be loose at this time. **FIGURE 7.**

3. Remove some of the hex head bolts securing the rip fence tube to the angle iron.

**NOTE:** Do not remove the bolts at each end, or the one or two that are in the middle. This will prevent you from losing alignment on your rip fence. **FIGURE 8.**

4. Install the left-most Rip-Flip T-Slot Track by positioning the still loose Mounting Brackets over the locations where you removed the hex head bolts. **FIGURES 9 & 9-A.**

Ensure that the remaining Mounting Brackets are laid out so that you can move them to where there are still hex head bolts in the tube.



5. Mount the Mounting Brackets to the bottom of the rip fence tube, using the hardware that you removed in *Step 2, Section III.*

6. As the bolts get close to contacting, adjust the Rip-Flip T-Slot Track so that it is pushed up against the bottom and front faces of the rip-fence tube, and left justified so that it is flush with the left end of the rip-fence tube. **FIGURE 10.**

7. After aligning the T-Slot Track, fully tighten the Button Head Screws in the Mounting Brackets where the hex head bolts are installed.

8. Once the left Rip-Flip T-Slot Track is secured with at least two Mounting Brackets, move on to installing the right Rip-Flip T-Slot Track.

9. Install the right Rip-Flip T-Slot Track by positioning the still loose Mounting Brackets over the locations where there are no hex head bolts on the right side. Ensure that the remaining Mounting Brackets are laid out so that they can be slid over to where the hex head bolts have not yet been removed.

10. Re-using the hardware removed in *Step 3, Section III.*, begin tightening the Mounting Brackets to the rip-fence tube. Adjust the T-Slot Track so that it butts up against the bottom and front of the rip fence tube, and contacts the left Rip-Flip track.

11. Before the brackets are fully tight, on the front side of the T-Slot Track, install a Rip-Flip Stop ② in the left T-Slot Track, and slide it over to the seam between the two T-Slot Tracks. Tighten it in place to ensure alignment. **FIGURE 11.**

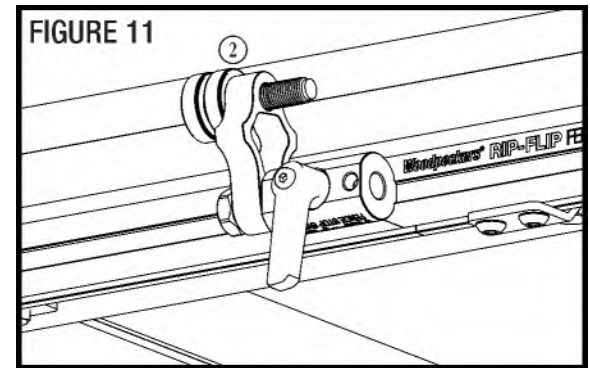
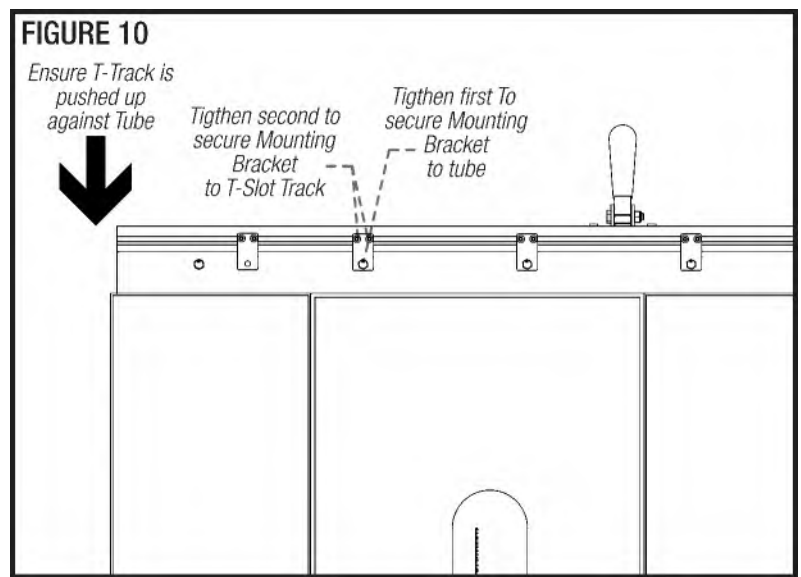
12. Once the T-Slot Tracks are aligned, finish tightening the Mounting Brackets to the fence tube, and then tighten the Mounting Brackets to the T-Slot Track.

13. If the T-Slot Tracks will not align, you may need to loosen the Mounting Brackets on the left T-Slot Track and adjust the whole track together.

14. Once both Rip-Flip T-Slot Tracks are secured and aligned to your rip fence tube, you can now remove the remainder of the hex head bolts that are not through Mounting Brackets.

15. Slide any remaining loose Mounting Brackets along the Rip-Flip T-Slot Track until they align with the mounting holes in the bottom of the rip fence tube. Reinstall the hardware you removed in *Step 14, Section III.* through the Mounting Brackets, and finish by tightening the Button Head Screws securing the Mounting Brackets to the T-Slot Track.

**Your Rip-Flip for SawStop is now installed!**



#### IV. USING RIP-FLIP STOPS INDIVIDUALLY

1. Set your table saw rip-fence to the desired location.
2. Slide the oval nut on the Rip-Flip Stop into the T-Slot Track.
3. Flip the flag stop up and slide the Rip-Flip along until the brass tip of the stop comes in contact with the bolt on your rip-fence.
4. Secure it in place with the ratchet knob.
5. Rip-Flip Stops can be used on either side of your fence by simply loosening the ratchet knob and rotating the Rip-Flip Stop 180°.

#### V. ASSEMBLING RIP-FLIPS FOR DADOES

AT THIS POINT YOU WILL NEED:

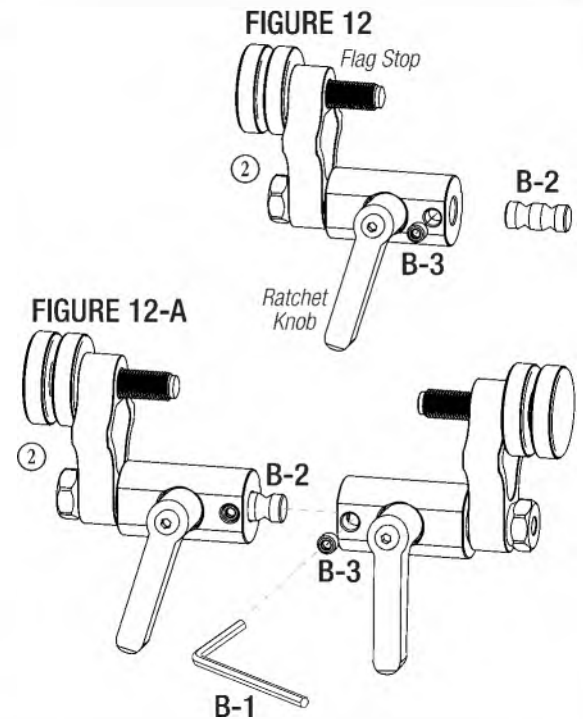
Hardware Bag B:

B-1 1/8" Hex Key

B-2 Dado Coupling Pin

B-3 1/4"-28 Cone Point Set Screw

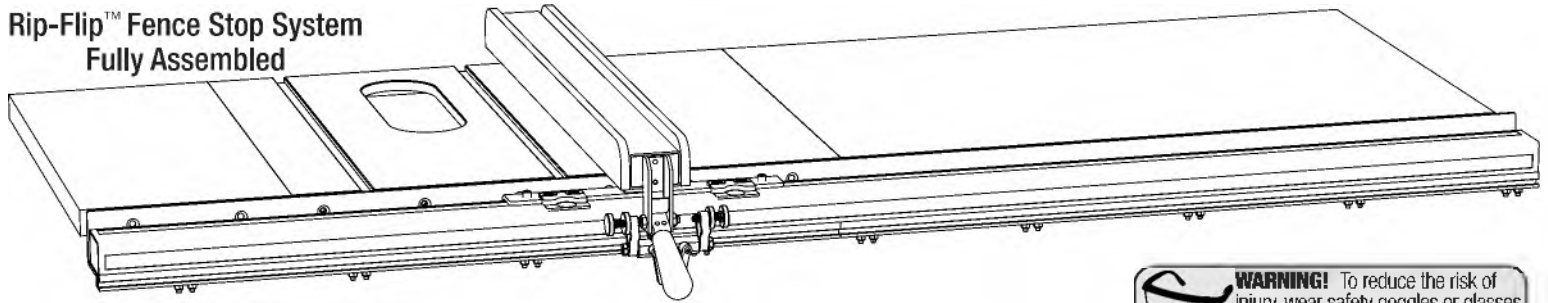
1. Insert the Dado Coupling Pin(B-2) into the end of a Rip-Flip Stop. Secure it by threading in a Cone Point Set Screw(B-3) into the Rip-Flip base using the Hex Key(B-1). FIGURES 12 & 12-A.
2. Once secured, insert the other end of the Dado Coupling Pin into the second Rip-Flip Stop, and secure it with the remaining Cone Point Set Screw.



## VI. USING THE RIP-FLIP FOR DADOS

1. Install a dado stack at least half the thickness of the desired groove size.
2. Set table saw fence to desired location and set the Rip-Flip Stop to come in contact with the bolt on one side of the rip-fence handle.
3. Flip the other Flip-Stop up, and micro-adjust to fine tune a perfect fitting dado by making two cuts; one against each stop.

Rip-Flip™ Fence Stop System  
Fully Assembled



**WARNING!** To reduce the risk of injury, wear safety goggles or glasses with side shields, ear protection & a dust mask.



**WARNING!** To reduce the risk of injury, always use featherboards, push sticks or push blocks with proper guarding. Keep hands away from moving parts. Refer to your saw manual for proper setup and use.

# Woodpeckers®

Woodpeckers, LLC Strongsville, Ohio

**woodpeck.com**

© 2022 Woodpeckers, LLC



woodpeck.com

**At Woodpeckers we are constantly reviewing & improving our tools. The most current version of our instruction manuals are always available to download/print at [woodpeck.com](http://woodpeck.com) via the tool's page.**

*(Located in the bottom section of the tool page under the "Additional Information" or "Instructions" tabs.)*



**Be the first to know all the new products & sales by subscribing to our eClub.**

*(Located at the top center of our webpage [woodpeck.com](http://woodpeck.com).)*



**Subscribe to our YouTube channel to stay up-to-date on all the latest tool tips & tricks.**



**Interact with us! Follow us on Facebook & Instagram!**



**WARNING!**

This product can expose you to chemicals, including chromium, which is known to the State of California to cause cancer and birth defects or other reproductive harm. For more information go to [www.P65Warnings.ca.gov](http://www.P65Warnings.ca.gov)