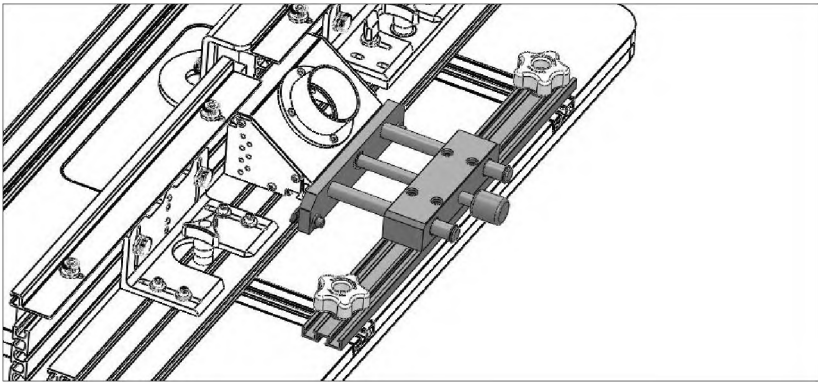


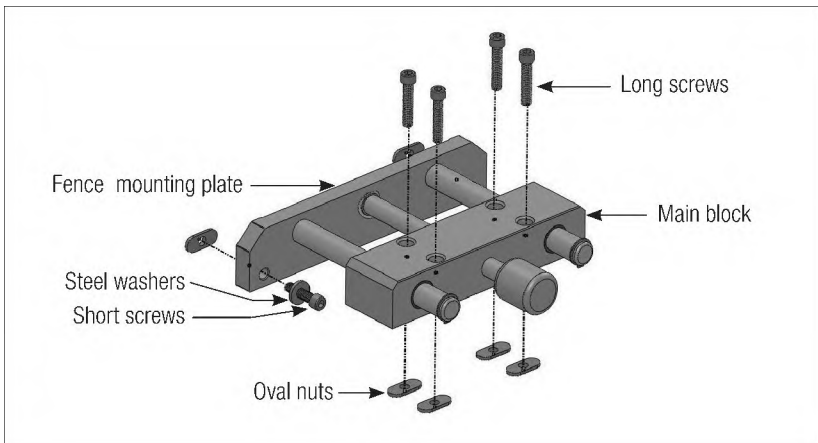
Woodpeckers®

MICRO-ADJUST

OWNER'S MANUAL

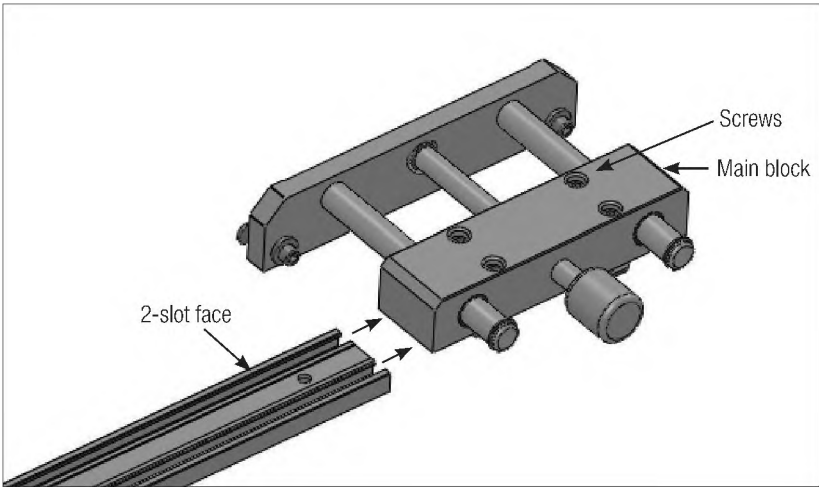


These instructions explain how to install the Micro Adjust accessory to the Woodpeckers Super Fence.

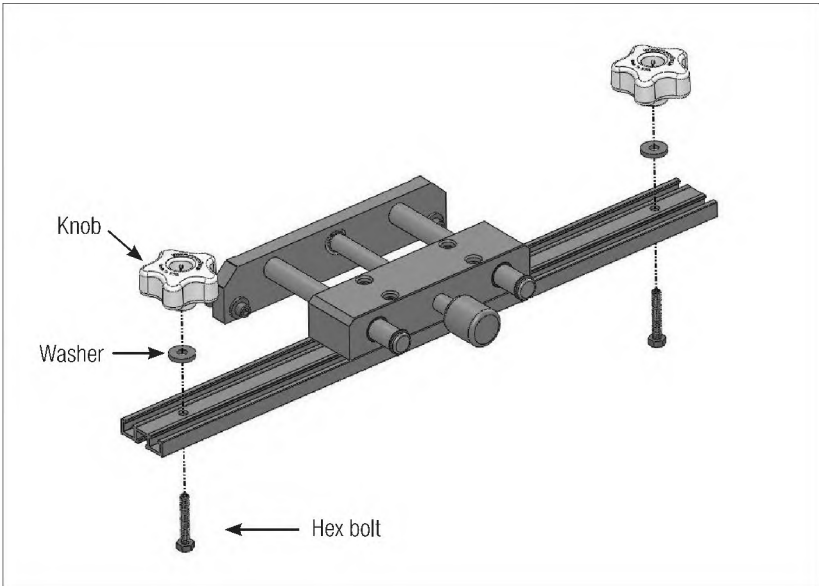


Begin by installing the (4) long screws down through the main block. Loosely start the oval nuts from the bottom. Next install the (2) short screws and washers through the fence mounting plate as shown. Loosely start oval nuts on these two as well.

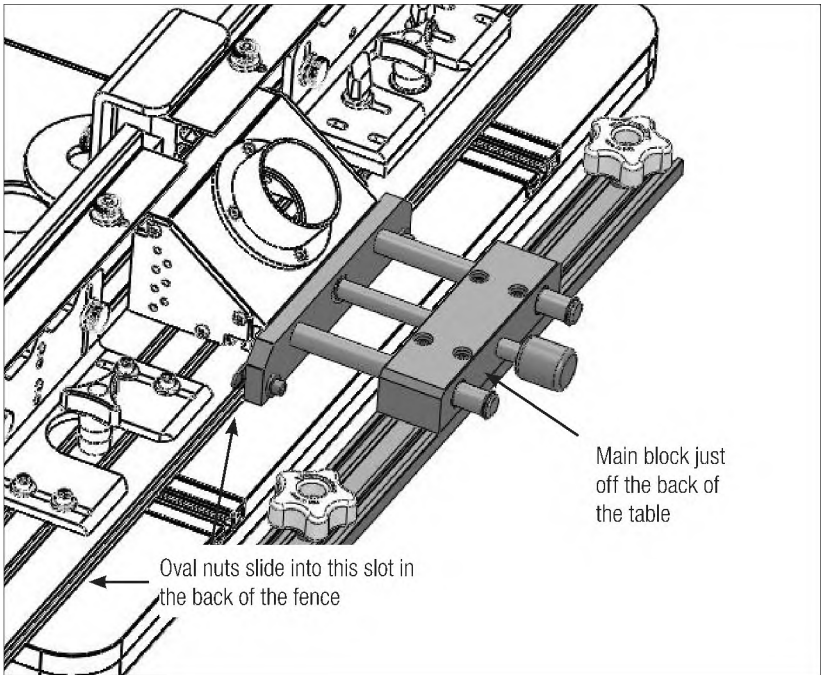
If you think you're missing anything, email us at mailroom@woodpeck.com.
You can also call us at 800-752-0725 from 9:00 a.m. to 5:00 p.m. EST Monday - Friday.



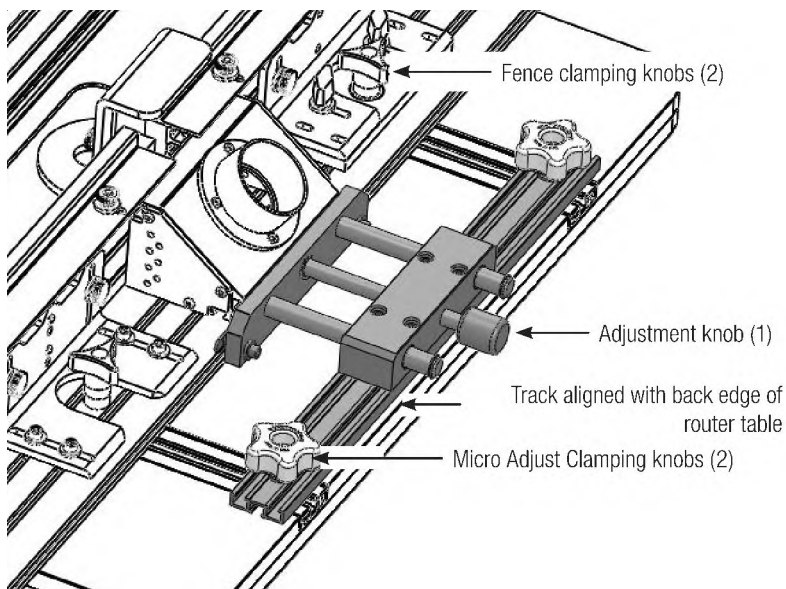
Attach the main block to the top of the track (2-slot face) by sliding all four oval nuts into the slots. With the main block approximately centered, tighten all four screws.



Now insert the two hex bolts up through the two holes in the track. First slip a nylon washer over each bolt then loosely start each knob.



Before attaching the Micro Adjust to the back of your fence, slide the fence toward the back of your router table so the main block is positioned just off the table. Now align the front two oval nuts with the slot toward the bottom, back of the fence. With these two oval nuts fully engaged in the slot, slide the entire Micro Adjust assembly until it's approximately centered with the fence. Just barely tighten the screws.



Once the fence Micro Adjust is approximately centered on the fence, slide both it and the fence toward the center of the table. During this step you need to align the bolt heads below the track with the track slots in the table.

Once the Micro Adjust is flush with the back of the table and centered to the fence, tighten the two clamping knobs.

To fine tune the position of the router fence itself, make sure the two clamp knobs holding the fence are loosened. Then turn the adjustment knob to move the fence and finally re-tighten the fence clamping knobs. Also make sure the Micro Adjust clamping knobs are tight.

BEFORE ROUTING WITH YOUR FENCE, YOU MUST TIGHTEN THE TWO FENCE CLAMPING KNOBS AND THE TWO MICRO ADJUST CLAMPING KNOBS.

Woodpeckers®

PRECISION WOODWORKING TOOLS MADE IN USA
Woodpeckers, LLC Strongsville, Ohio · woodpeck.com

© 2019 Woodpeckers, LLC

REV012919



WARNING! This product can expose you to chemicals, including chromium, which is known to the State of California to cause cancer and birth defects or other reproductive harm. For more information go to www.P65Warnings.ca.gov