

Woodpeckers®

ROUTER TABLE FENCE

OWNER'S MANUAL

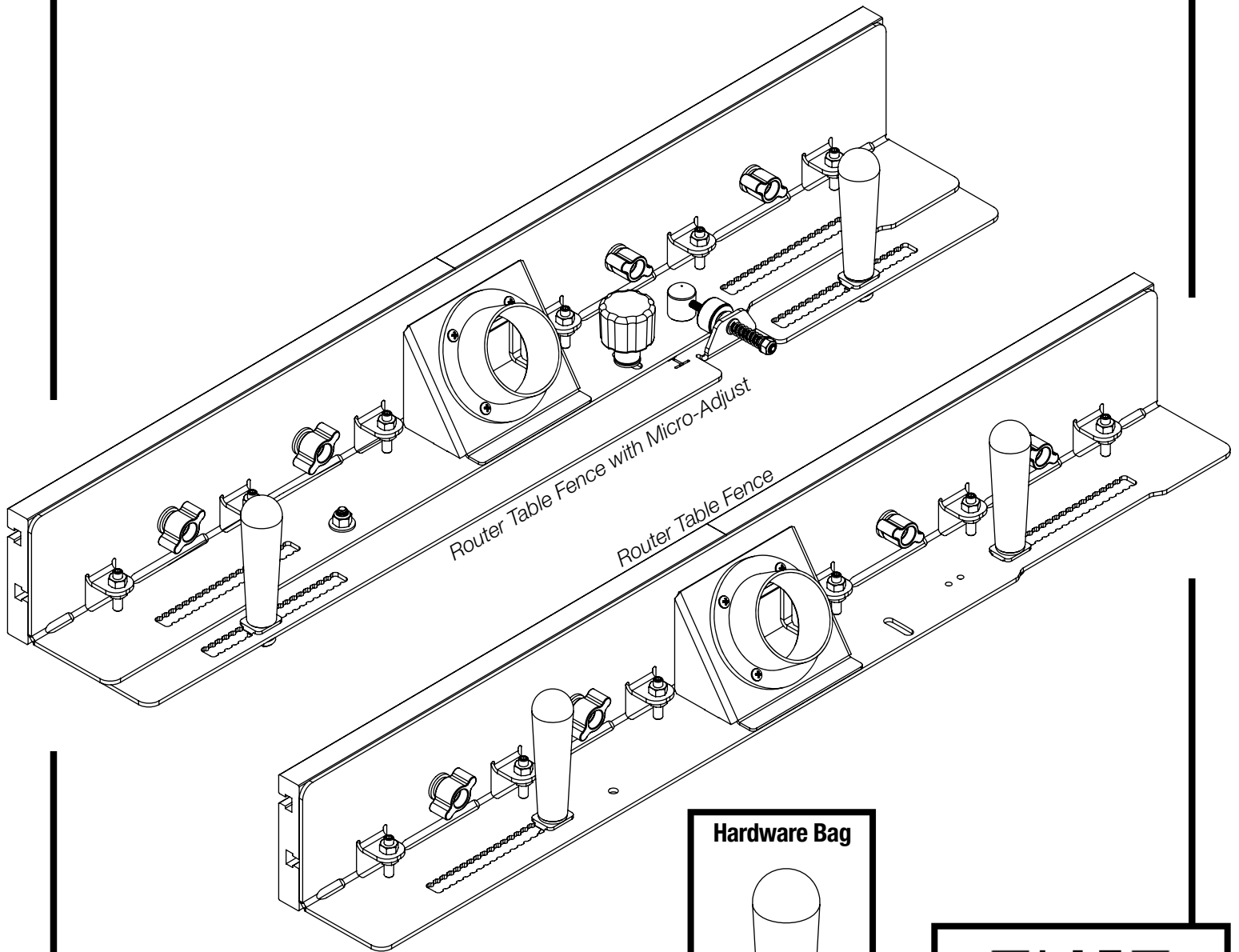
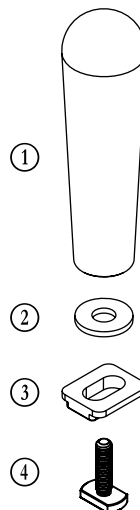


DIAGRAM (QTY) PART NAME
NUMBER

- ① (2) Handles
- ② (2) Washers
- ③ (2) Handle Position Clips
- ④ (2) T-Bolts

Hardware Bag



Scan the QR code above
to watch the video
or visit woodpeck.com
under the video tab towards
the bottom of the product page.

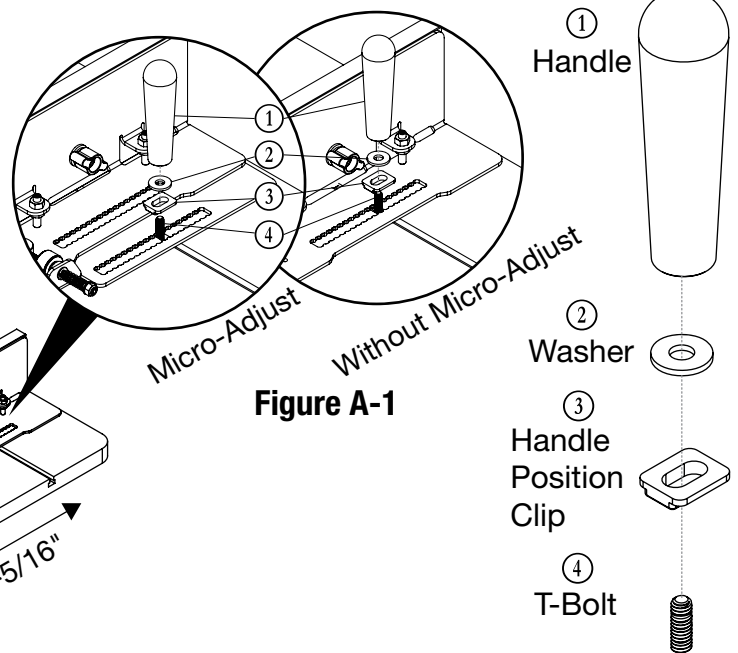
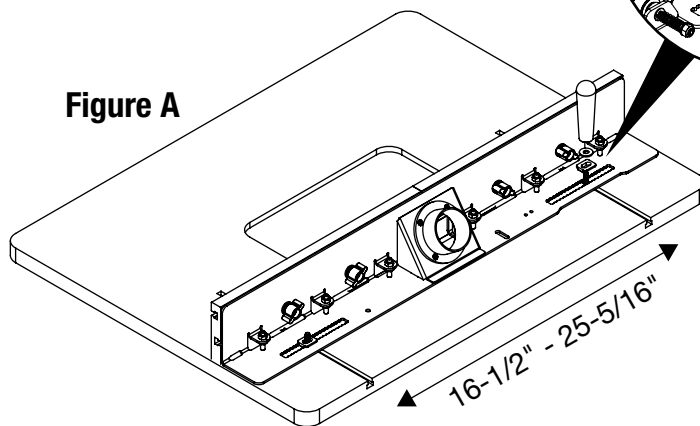
If you think you're missing anything, email us at mailroom@woodpeck.com.

Or, check the product webpage under the "Manuals" tab for an updated version of these instructions.

You can also call us at 800-752-0725 from 9:00 a.m. to 4:00 p.m. EST Monday - Friday.

I. DETERMINE YOUR TABLE SLOT WIDTH

The Router Table Fence accommodates T-track slots spaced between 16-1/2" and 25-5/16" apart. You can rout your own T-track slots in your table by using Ultra-Shear's T-Slot Router Bit (SKU: US5450TSSC).

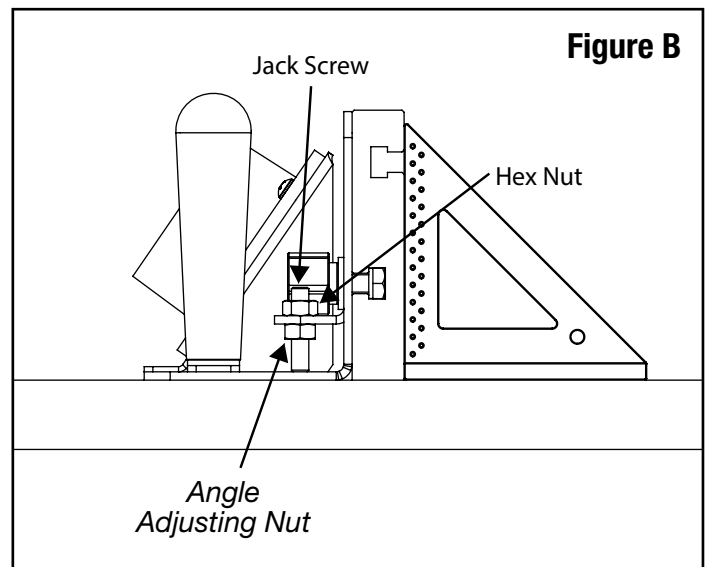


II. MOUNT THE ROUTER TABLE FENCE TO YOUR TABLE

1. Place the T-Bolts into the slots in your table.
2. Place the fence on the table with the saw-tooth slots over the T-Bolts. Ensure that the fence is roughly centered on your router opening. **See Figure A.**

NOTE If you purchased the Router Table Fence with Micro-Adjust, use the saw-tooth slots in the bottom plate.

3. Place the Handle Position Clips over the stem of the T-Bolt and seat it within the saw-tooth slots.
4. Place a Washer and thread the Handle onto the stem of each T-Bolt and tighten. **See Figure A-1.**



III. CALIBRATING THE FENCE ROLL ANGLE

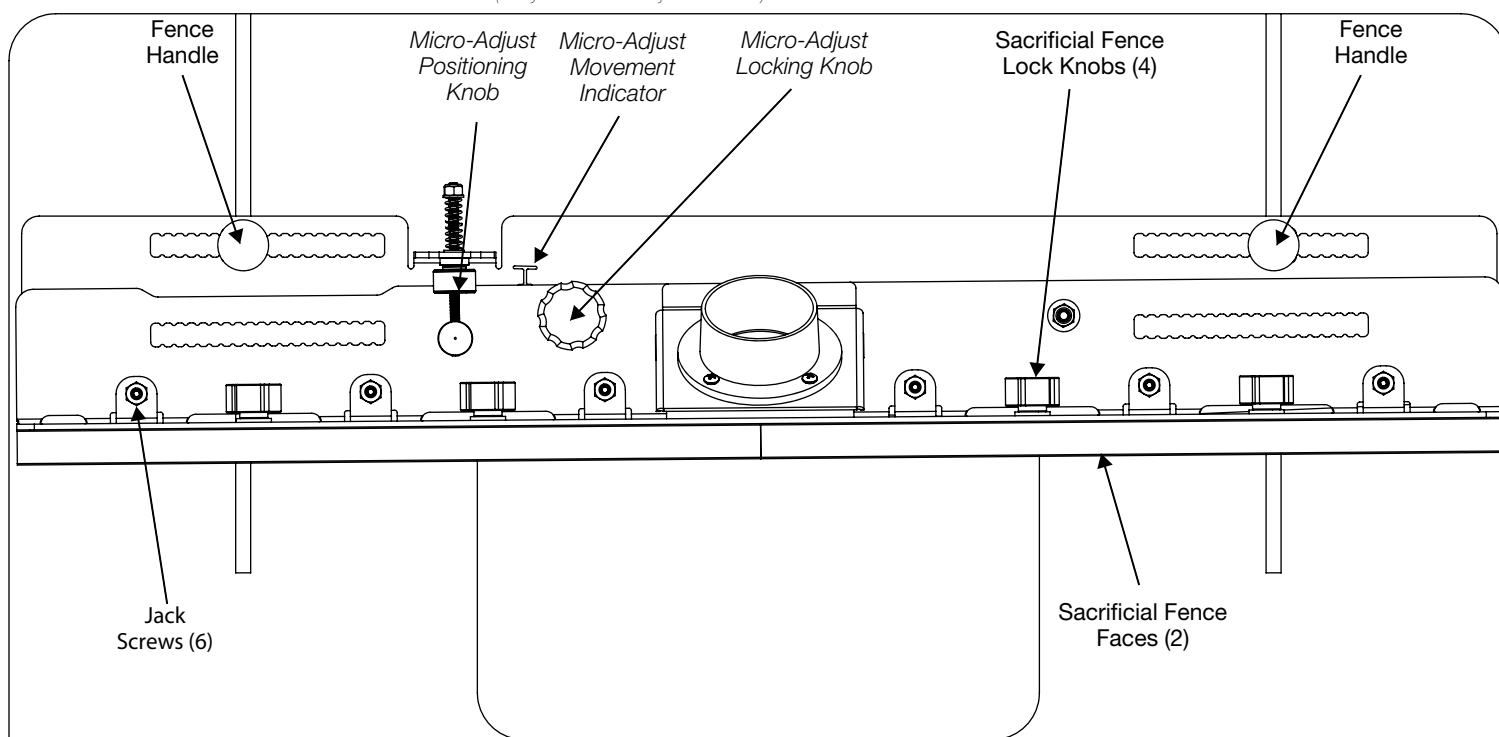
The Fence is calibrated at the factory. If you ever need to adjust, follow the steps in this section.

1. To square the roll angle, first place a known square reference, such as a Woodpeckers DelVe Square (Not Included) against the front of the Fence. **See Figure B.**
2. Use a 7/16" open-ended wrench (Not Included) to crack loose the upper Hex Nuts on all (6) Jack Screw assemblies. Loosen a few turns to give room for adjustment.
3. Place the 7/16" wrench onto the lower Hex Nuts and a 1/8" hex key (Not Included) into the socket of the Jack Screw.
4. Prevent the screw from turning with the hex key and use the wrench to tighten or loosen the lower Hex Nut to adjust the roll angle. Do so until the reference square touches at both top and bottom of the fence.
5. Repeat for the other (5) Jack Screws. Incremental adjustment may be necessary. Check along the length of the fence as you adjust.
6. Once satisfied with the setting, ensure the lower Hex Nuts are snug against the flanges and lock the setting in place by tightening the upper Hex Nuts. Use the 1/8" hex key to prevent the Jack Screws from spinning.

IV. USING YOUR ROUTER TABLE FENCE

1. Rough positioning of the Fence is done by loosening the Fence Handles, sliding into position, and re-tightening them.
2. To use the Micro-Adjust module, first loosen the Micro-Adjust Locking Knob. Turn the Micro-Adjust Positioning Knob to adjust the Fence. Counter-clockwise brings the fence closer to the router bit and clockwise moves the fence away from the router bit. Once you've located the desired setting, lock the Micro-Adjust Locking Knob.
3. Set the Fence face opening (if desired) by loosening the Sacrificial Fence Lock Knobs on the back of the Fence. Slide the Sacrificial Fence Faces to the desired position and re-tighten the Knobs.

(Only on Micro-Adjust model.)

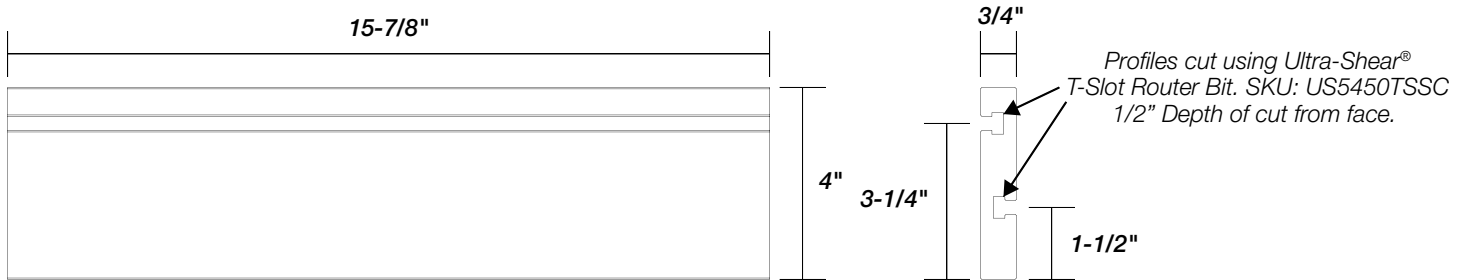



NOTE

The Micro-Adjust positions the Fence by pivoting. Your Fence does not need to be parallel to the front of Table. The round cutter will always cut at a tangent parallel to the Fence.

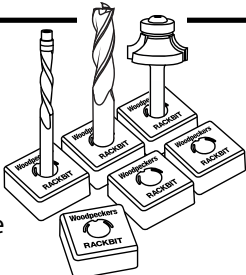
IV. TIPS & TRICKS

1. The marks adjacent the Micro-Adjust Knob are to indicate the Micro-Adjust travel. The intent is to keep the Micro-Adjust module centered on these marks, giving you ample travel either way when micro-adjusting. A good practice would be to re-center the Micro-Adjust after completing an operation.
2. The (2) Sacrificial Fences are symmetrical. If the Fence is cut to create a zero-clearance setup, the Fences may be swapped side-for-side, allowing you to cut into both sides before needing a replacement. To make your own, see Figure G






Scan the QR code above or visit woodpeck.com to check out our extensive lineup of Router Bits.





Scan this QR code or visit woodpeck.com to see the RackBit Router Bit Storage System.



Woodpeckers®

Woodpeckers, LLC Strongsville, Ohio
woodpeck.com
 © 2025 Woodpeckers, LLC

woodpeck.com

At Woodpeckers we are constantly reviewing & improving our tools. The most current version of our instruction manuals are always available to download at woodpeck.com. (Located in the bottom section of the tool's page under the "Additional Information" or "Instructions" tabs.)

eCLUB Be the first to know all the new products, OneTIME Tools & sales by subscribing to our eClub. (Located at the top center of our webpage woodpeck.com.)

YouTube Subscribe to our YouTube channel to stay up-to-date on all the latest tool tips & tricks.

Facebook Instagram TikTok INTERACT WITH US! Follow us on Facebook, Instagram & TikTok!


KNOWTHOLE Enjoy shop tips, project ideas, tool techniques & more in our Woodworking Resource Center/Blog. (Located at the bottom center of our



WARNING! To reduce the risk of injury keep hands away from moving parts. Refer to your power tool manual for proper setup and use.



WARNING! To reduce the risk of injury, wear safety goggles or glasses with side shields, ear protection & a dust mask.



WARNING! This product can expose you to chemicals, including chromium, which is known to the State of California to cause cancer and birth defects or other reproductive harm. For more information go to www.P65Warnings.ca.gov