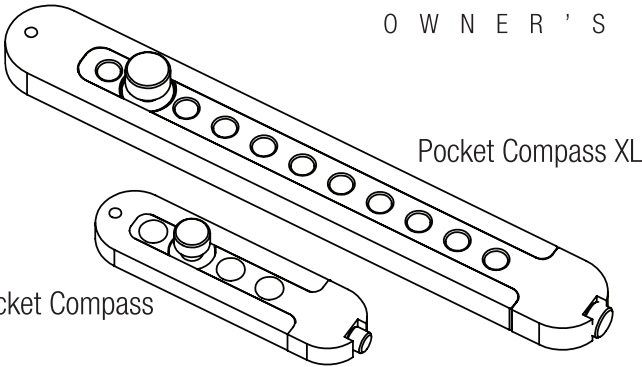
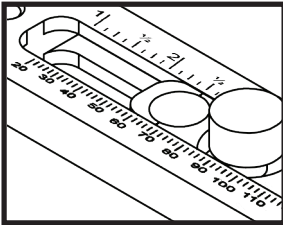


Woodpeckers® One TIME Tool® POCKET COMPASS

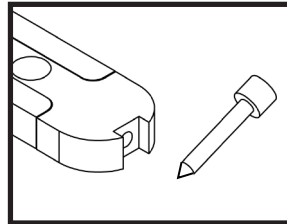
O W N E R ' S M A N U A L



Woodpeckers **Pocket Compass** & **Pocket Compass XL**, function similar to a beam compass. They're designed to work easily and store conveniently. The original has a range from 1" to 7" in diameter and the Pocket Compass XL ranges from 2" to 21".

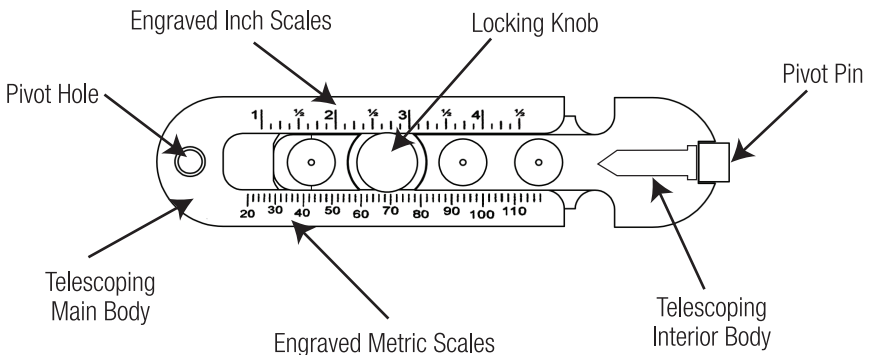


Build-in Inch & Metric Rulers for quick set-up of the Pocket Compass.

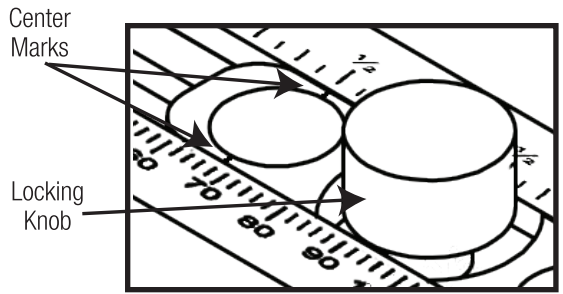


Stainless steel Pivot Pin and its compartment in the end of the Compass for storage.

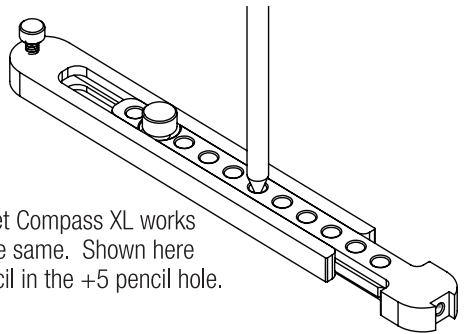
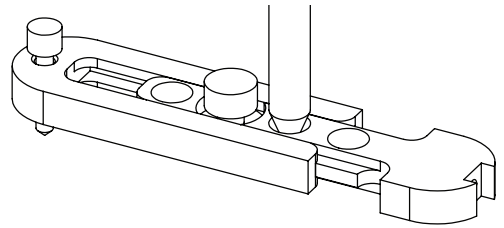
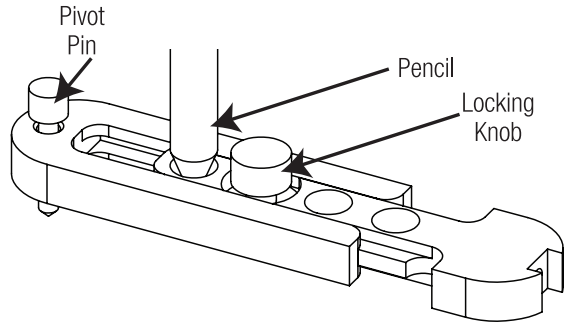
The main body of the Pocket Compass & Pocket Compass XL consists of two telescoping, precision machined aluminum parts: one with a Pivot Hole and engraved Inch & Metric Scales, the other with Pencil Holes.



1. Adjust the two sections until the alignment mark matches the desired diameter. Tighten the Locking Knob by turning it clockwise. Remove the Pivot Pin from its storage position and slide it into the Pivot Hole.



2. Locate the Pivot Pin at the center of your desired arc. Gently hold down on the Pivot Pin. Place the tip of a sharp wooden pencil, mechanical pencil or scribe into the correct tapered hole and draw your circle.



The Pocket Compass XL works exactly the same. Shown here with the pencil in the +5 pencil hole.

If you think you're missing anything, email us at mailroom@woodpeck.com. You can also call us at 800-752-0725 from 9:00 a.m. to 5:00 p.m. EST Monday - Friday.

Woodpeckers®

PRECISION WOODWORKING TOOLS

Woodpeckers, LLC Strongsville, Ohio · woodpeck.com

© 2020 Woodpeckers, LLC



WARNING! This product can expose you to chemicals, including chromium, which is known to the State of California to cause cancer and birth defects or other reproductive harm. For more information go to www.P65Warnings.ca.gov