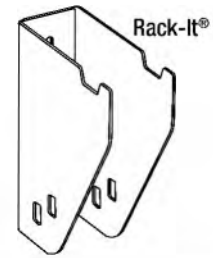
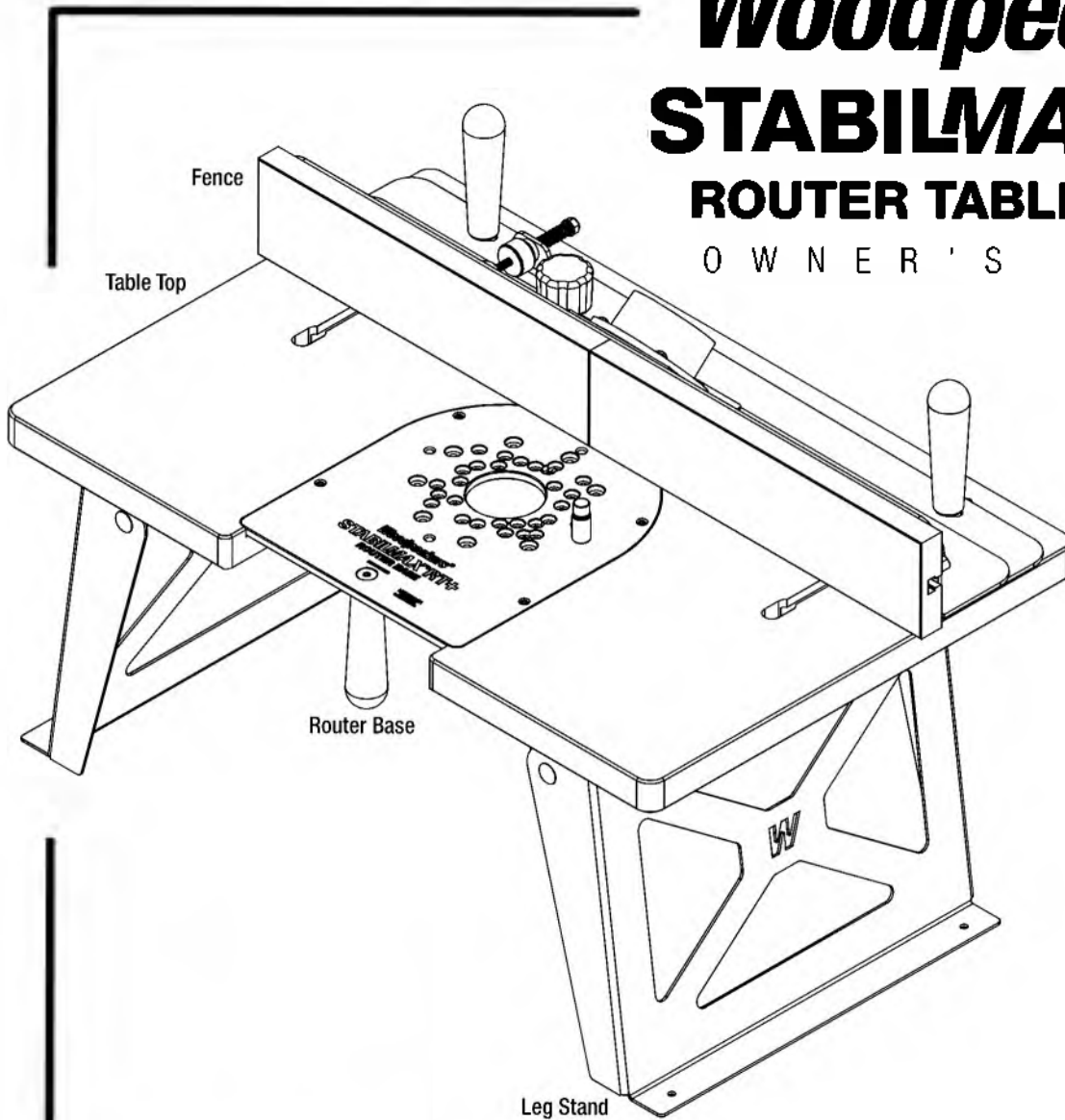


Woodpeckers® STABILMAX® RT+ ROUTER TABLE SYSTEM

OWNER'S MANUAL



Scan the QR code above
to watch the video
or visit woodpeck.com
under the video tab towards
the bottom of the product page.

If you think you're missing anything, email us at mailroom@woodpeck.com.

Or, check the product webpage under the "Manuals" tab for an updated version of these instructions.

You can also call us at 800-752-0725 from 9:00 a.m. to 4:00 p.m. EST Monday - Friday.

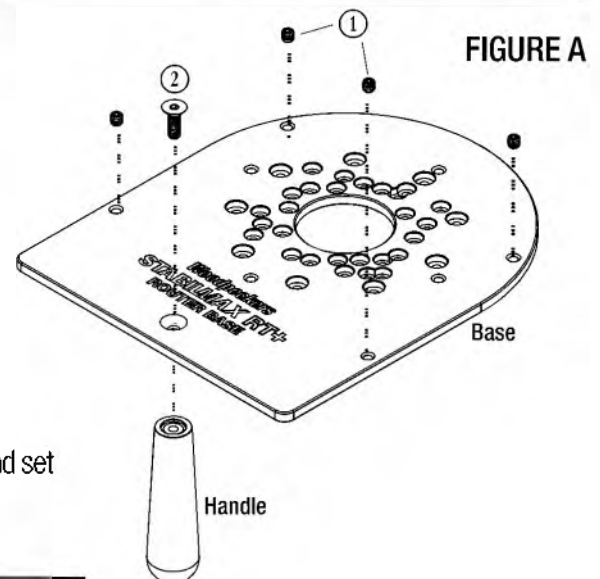
ASSEMBLY INSTRUCTIONS

I. ROUTER BASE ASSEMBLY

• AT THIS POINT YOU WILL NEED:

- Router Base
 - Base
 - Handle
 - Phillips Screwdriver #3 (Not included)
- **HARDWARE BAG**
 - ① (4) Leveling Screw
 - ② (1) Flat Head Screw - 1/4-20 x 5/8"
- Hex Key 1/8"

1. Install the (4) ① Leveling Screws into the Router Base from the engraved face and set just below the surface. **FIGURE A**
2. Install the Router Base Handle with the ② Flat Head Screw and tighten.





II. TABLE TOP ASSEMBLY

• AT THIS POINT YOU WILL NEED:

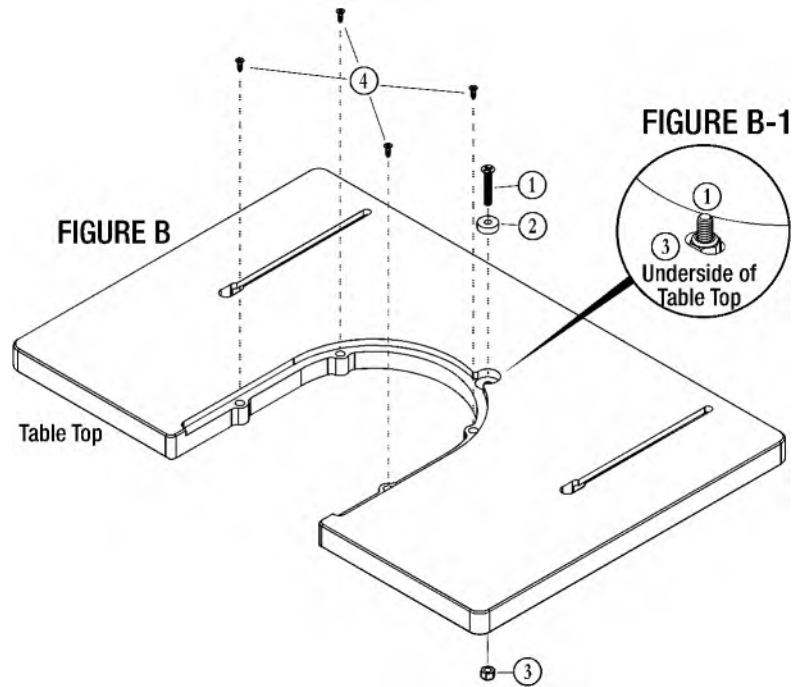
- Table Top
- Phillips Screwdrivers #1 & #3 (Not included)

• HARDWARE BAG

- ① (1) Phillips Flat Head Screw - 1/4-20 x 1-1/2"
- ② (1) Bumper
- ③ (1) Bumper Nut
- ④ (4) Leveling Screw Pad - #6

1. Install the ② Bumper with the included ① Flat Head Screw and ③ Bumper Nut so the screw sits below the table top surface. The tension between the Router Base and the Table Top can be adjusted by tightening or loosening the screw assembly. **FIGURES B & B-1**

2. Install the ④ Leveling Screw Pads in the pre-drilled holes. This creates a pad for the plate leveling screws to rest on.



III. TABLE & LEG STAND ASSEMBLY

• AT THIS POINT YOU WILL NEED:

- Leg Stand SKU: SMRT-LO

• HARDWARE BAG

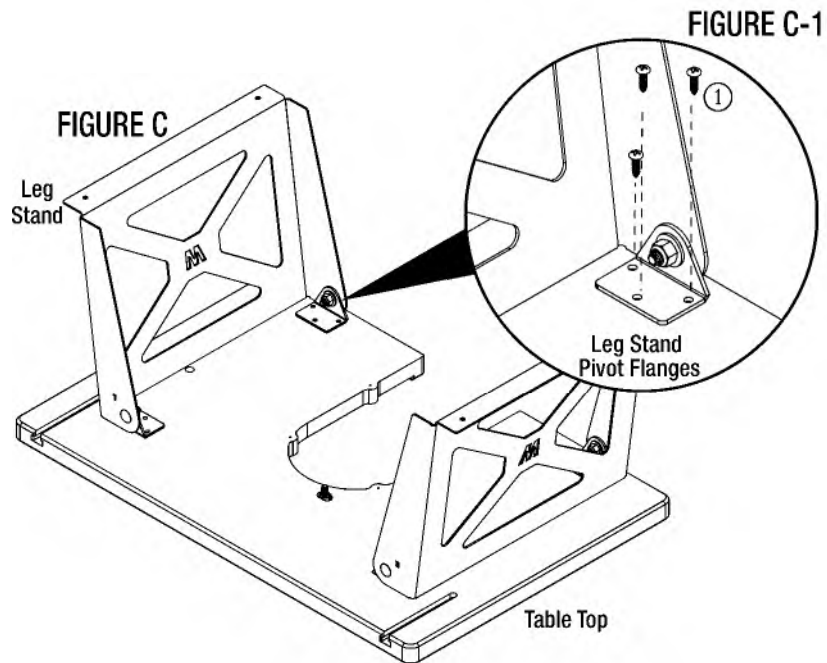
- ① (12) Pan Head Screw - #6 x 1/2"

1. Set your Table Top upside down on a worksurface and locate the ④ sets of ③ pre-drilled holes.

2. Align the holes in the Leg Stand Pivot Flanges to the pre-drilled holes. The Left and Right Legs are marked (L) and (R). **FIGURE C**

3. Attach the Leg Stands by driving the (12) ① Pan Head Screws. **DO NOT over-tighten the screws which may strip the pre-drilled holes.** Tighten the screws by hand or with a low-torque drill setting. Impact drill is not recommended. **FIGURE C-1**

4. The Legs are held to the pivot flange with anti-wobble nylon washers. The pivot should be tight enough not to move under the weight of the legs while still moveable by hand. You can change the tension by tightening or loosening the nylon lock nuts to your desired setting.

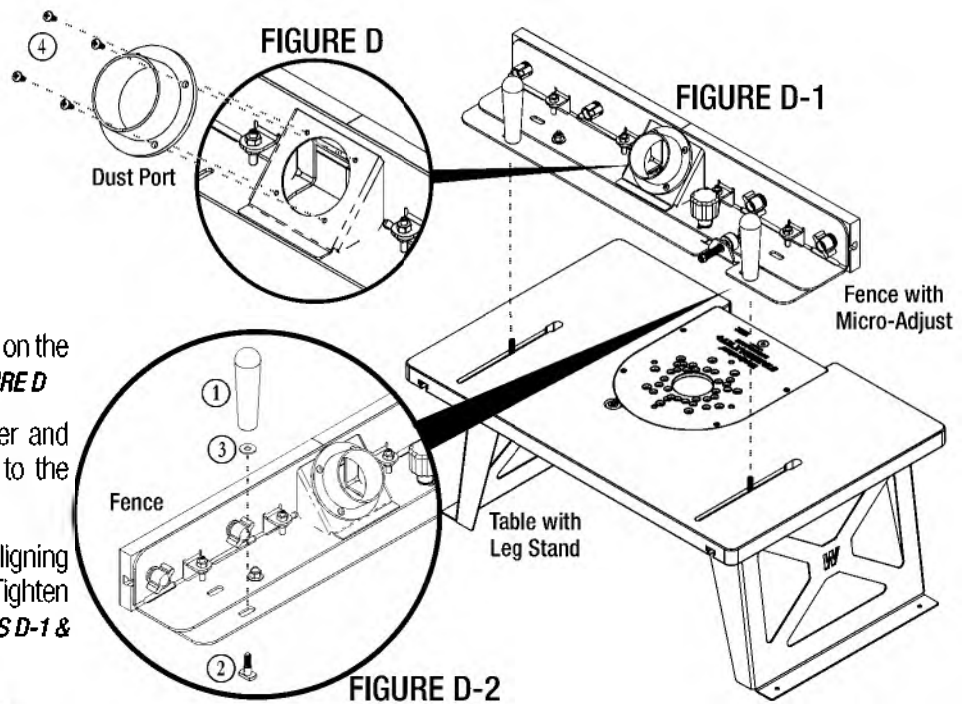


IV. DUST PORT & FENCE ASSEMBLY

• AT THIS POINT YOU WILL NEED:

- Fence
- Dust Port
- **HARDWARE BAG**
 - ① (2) Handle
 - ② (2) T-Bolt
 - ③ (2) Washer
 - ④ (4) Dust Port Screw

1. Install the Dust Port onto the dust port opening on the Fence using the (4) ④ Dust Port Screws. **FIGURE D**
2. Install the ① Handles through the ③ Washers and through the oval holes on the Micro-Adjust to the T-Bolts.
3. Install the Fence to the Router Table Top by aligning the Handle and T-Bolts to the slotted tracks. Tighten the handles to lock the Fence in place. **FIGURES D-1 & D-2**



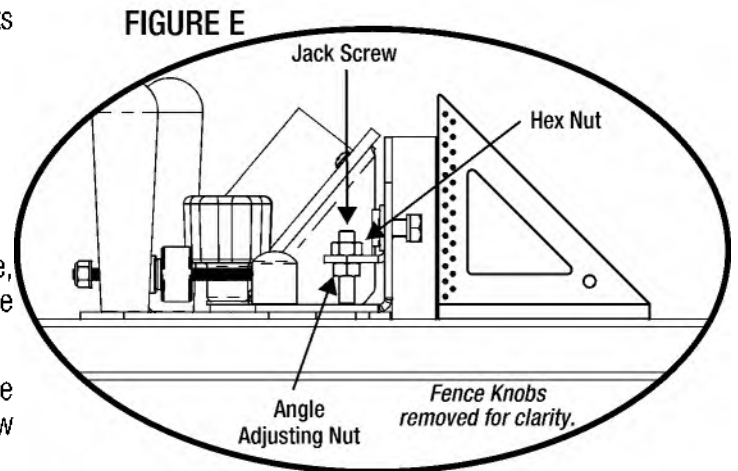
V. CALIBRATING THE FENCE

Install the Fence to the Router Table Top by aligning the Handle and T-Bolts to the slotted tracks. Tighten the handles to lock the Fence in place.

1. Calibrating the Fence Roll Angle

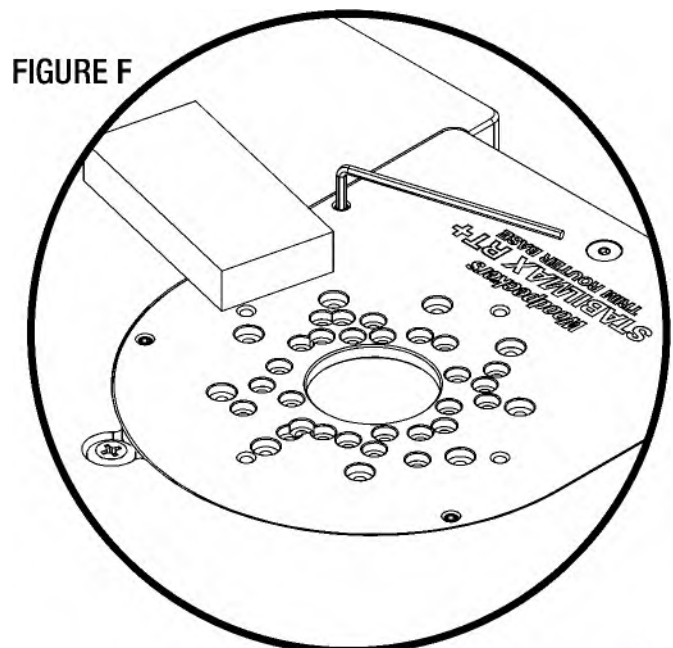
The Fence is calibrated at the factory. If you ever need to adjust, follow the steps in this section.

- a. To square the roll angle, first place a known square reference, such as a Woodpeckers DelVe Square (*Not Included*) against the front of the Fence. **FIGURE E**
- b. Use a 7/16" open-ended wrench (*Not Included*) to crack loose the upper Hex Nuts on the Jack Screw assemblies. Loosen a few turns to give room for adjustment.
- c. Place the 7/16" wrench onto the lower Hex Nuts and a 1/8" hex key (*Not Included*) into the socket of the Jack Screw.
- d. Prevent the screw from turning with the hex key and use the wrench to tighten or loosen the lower Hex Nut to adjust the roll angle. Do so until the reference square touches at both top and bottom of the fence.
- e. Repeat for the other three Jack Screws.
- f. Once satisfied with the setting, ensure the lower Hex Nuts are snug against the flanges and tighten the upper Hex Nuts to lock the setting in place. Again, use the 1/8" hex key to prevent the Jack Screws from spinning.



2. Leveling the Router Base to the Table

- a. With the Router Base mounted in the Router Table Top opening, use a straight edge to check that the top and the base are coplanar.
- b. Use the Hex Key to raise or lower the Leveling Screws while checking for level. Adjust as necessary. **FIGURE F**



FITS TRIM ROUTERS*

- A** DEWALT
DWP611, DCW600B
- B** MAKITA
RT0701C, XTR01Z
- C** PORTER CABLE
PCE6430
- D** RIGID
R2401, R860443B
- D** RYOBI
P601
- E** BOSCH
GKF125CEN
- F** BOSCH COLT
PR20EVS
- G** MILWAUKEE
2723-20

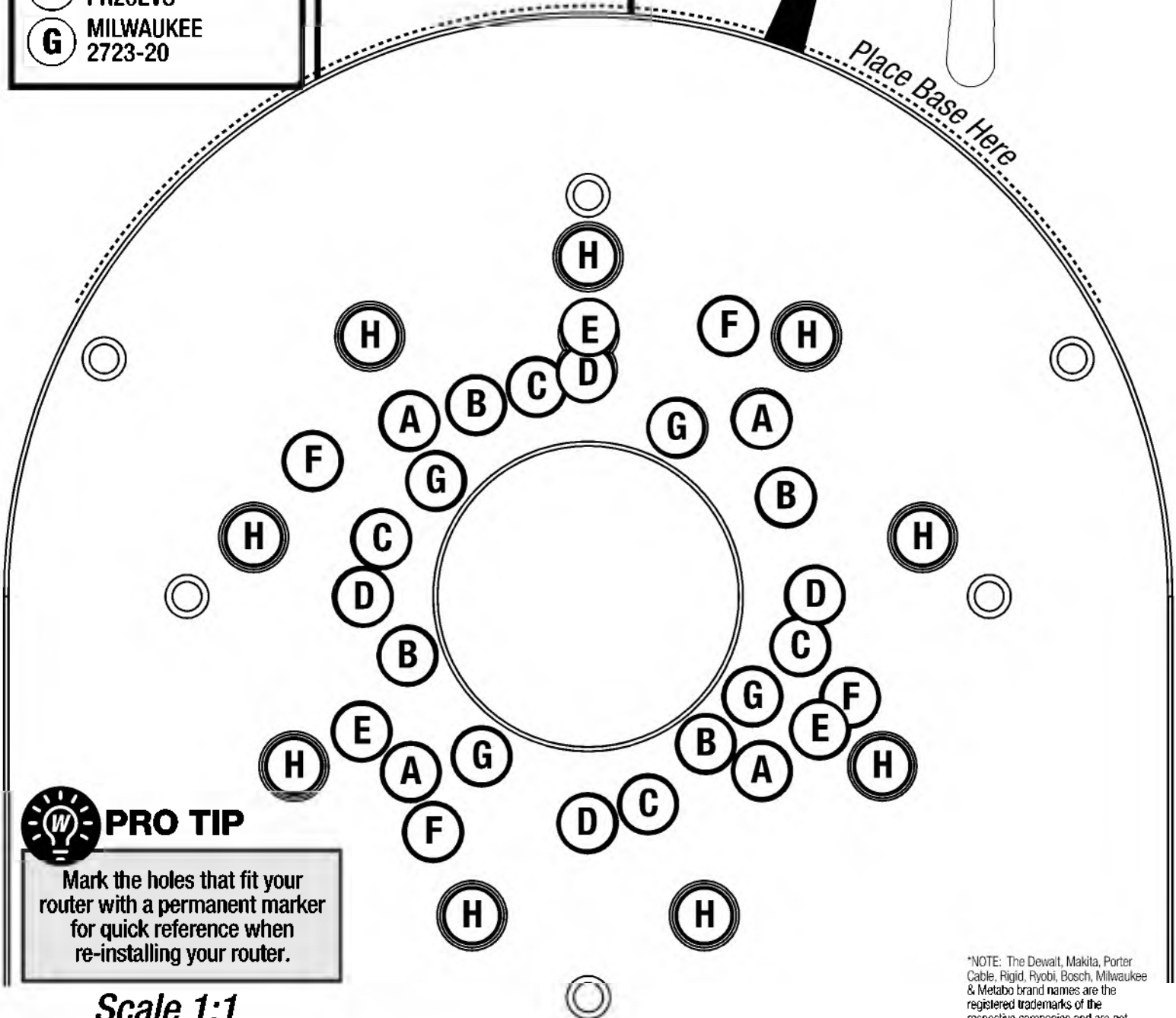
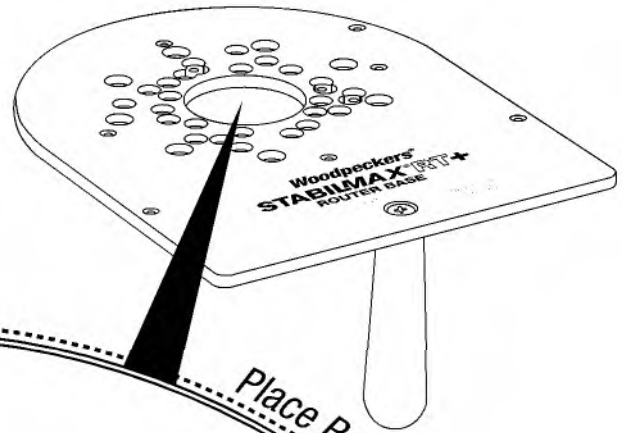
H FITS MID-SIZED ROUTERS*

(And others with 3-hole symmetric patterns with 4" between centers)

- BOSCH**
1617EVS
- DEWALT**
616 • 618
- MAKITA**
1101
- METABO HPT**
M12VC
- MILWAUKEE**
5616-20
- PORTER CABLE**
690

VI. MOUNTING THE BASE TO YOUR ROUTER

Mount your router with the included (4) M4 x 6mm Screws (for trim routers) or (3) 10-32 x 3/8 or (3) 10-24 x 3/8 Screws (for mid-size routers). Locate your router's bolt pattern using the diagram below. For best results, ensure the collet is centered in the opening before tightening screws.



PRO TIP

Mark the holes that fit your router with a permanent marker for quick reference when re-installing your router.

Scale 1:1

*NOTE: The Dewalt, Makita, Porter Cable, Rigid, Ryobi, Bosch, Milwaukee & Metabo brand names are the registered trademarks of the respective companies and are not associated with Woodpeckers, LLC.

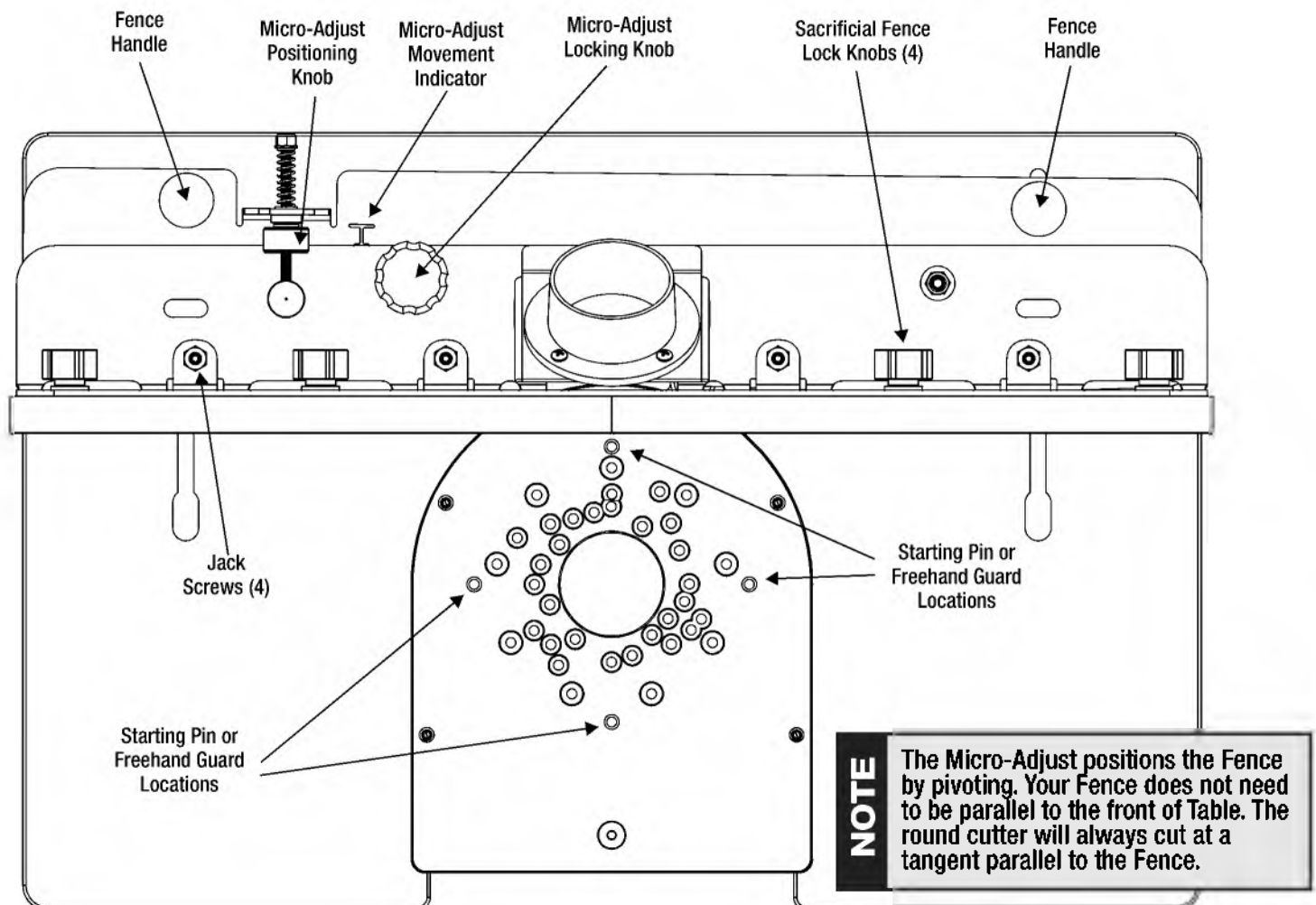
VII. MOUNTING YOUR STABILMAX RT+ RACK-IT®

1. Find a suitable location on your wall and locate a wall stud.
2. Drill (1) 3/16" pilot hole the stud at the desired height.
3. Install (1) lag bolt into the wall. Do not tighten.
4. Place one half of the Rack-It onto the lag bolt and hold plumb and mark the second hole.
5. Remove the Rack-it, drill the second pilot hole and install the second lag bolt. Do not tighten.
6. Place the Right bracket (marked with an "R") and then the Left bracket onto the lag bolts and tighten.

VIII. SETTING UP & USING YOUR STABILMAX RT+ ROUTER TABLE SYSTEM

1. With your router installed to the StabilMAX RT+ Router Base, place the base in the opening and pull down on the handle. Ensure that the Router Base is level to the Router Table Top. *See Section V.3. for leveling procedure.*
2. Positioning your Router Table
 - a. You can secure to a work surface by clamping the bottom flange of the legs to the work surface.
 - b. You can use track clamps in the T-Slots milled into the underside of the Table Top to clamp directly to your workbench.
3. Rough positioning of the Fence is done by loosening the Fence Handles, sliding into position, and re-tightening them.
4. To use the Micro-Adjust module, first loosen the Micro-Adjust Locking Knob. Turn the Micro-Adjust Positioning Knob to adjust the Fence. **Counter-clockwise brings the fence closer** to the router bit and **clockwise moves the fence away** from the router bit. Once you've located the desired setting, lock the Micro-Adjust Locking Knob.

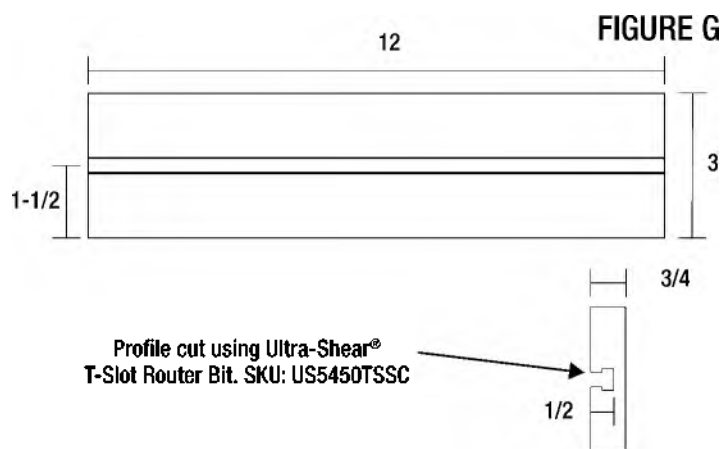
*The Starting Pin that comes with the StabilMax RT+ Router Table has a shorter thread length than previous versions of Woodpeckers Starting Pins.



- Set the Fence face opening (if desired) by loosening the red Knobs on the back of the Fence. Slide the Sacrificial Fence Faces to the desired position and re-tighten the red Knobs.
- The Starting Pin* provides a pivot for safer cuts when freehand routing (routing without the fence) using a bit with a guide bearing. You can install a Starting Pin into one of the two threaded holes in the Router Base.
- The StabilMax RT+ is compatible with Woodpeckers Freehand Guard bit guard. Install in two of the Starting Pin locations.

IX. STABILMAX RT+ ROUTER TABLE TIPS & TRICKS

- If the Legs are not long enough to accommodate the full length of your router (especially if using a cordless router with a large battery), the Legs' length can be extended by mounting scrap wood to the bottom flange of each Leg.
- The marks adjacent the Micro-Adjust Knob are to indicate the Micro-Adjust travel. The intent is to keep the Micro-Adjust module centered on these marks, giving you ample travel either way when micro-adjusting. A good practice would be to re-center the Micro-Adjust after completing an operation.
- The (2) Sacrificial Fences are symmetrical about their two axes. If the Fence is cut to create a zero-clearance setup, the Fence may be rotated and swapped side-for-side, allowing you to cut into all four corners before needing a replacement. To make your own, see *Figure G*



OTHER Woodpeckers® PRODUCTS WE THINK YOU'LL LOVE...



Scan the QR code above or visit woodpeck.com.

DESCRIPTION

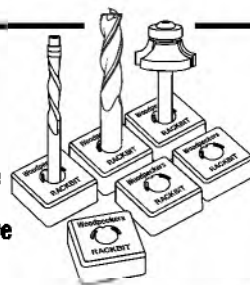
Additional StabilMax RT+ Base
 Additional Sacrificial Fences
 Freehand Guard
 StabilMax Trim Router Base
 Starting Pin
 Semble Screw-Type Track Clamps (2 pack)
 Semble Screw-Type Track Clamps (4 pack)
 Semble Ratcheting Track Clamps (4 pack)

SKU

SMRT-P-PO
 SMRT-SFO
 FHG
 SMTROB-M-23
 STRTPIN5
 G20KP-2
 G20KP-4
 G20KL-4P



Scan the QR code above or visit woodpeck.com to check out our extensive lineup of Router Bits.



Scan this QR code or visit woodpeck.com to see the RackBit Router Bit Storage System.



Woodpeckers®

Woodpeckers, LLC Strongsville, Ohio
woodpeck.com
 © 2025 Woodpeckers, LLC



woodpeck.com

At Woodpeckers we are constantly reviewing & improving our tools. The most current version of our instruction manuals are always available to download at woodpeck.com.
 (Located in the bottom section of the tool's page under the "Additional Information" or "Instructions" tabs.)



Be the first to know all the new products, **OneTIME Tools & sales** by subscribing to our eClub. (Located at the top center of our webpage woodpeck.com.)



Subscribe to our YouTube channel to stay up-to-date on all the latest tool tips & tricks.



INTERACT WITH US! Follow us on Facebook, Instagram & TikTok!



Enjoy shop tips, project ideas, tool techniques & more in our Woodworking Resource Center/Blog. (Located at the bottom center of our webpage woodpeck.com.)



WARNING! To reduce the risk of injury keep hands away from moving parts. Refer to your power tool manual for proper setup and use.



WARNING! To reduce the risk of injury, wear safety goggles or glasses with side shields, ear protection & a dust mask.



WARNING! This product can expose you to chemicals, including chromium, which is known to the State of California to cause cancer and birth defects or other reproductive harm. For more information go to www.P65Warnings.ca.gov