

Woodpeckers®

QUICKLIFT™

QUICKLIFT™ HDS

ROUTER LIFT

OWNER'S MANUAL

Patent No. US 8,485,766 B2

SAFETY FIRST

Always unplug your router motor before making any adjustments to the Router Lift. Refer to your routers' owners manual for specific safe operating instructions.

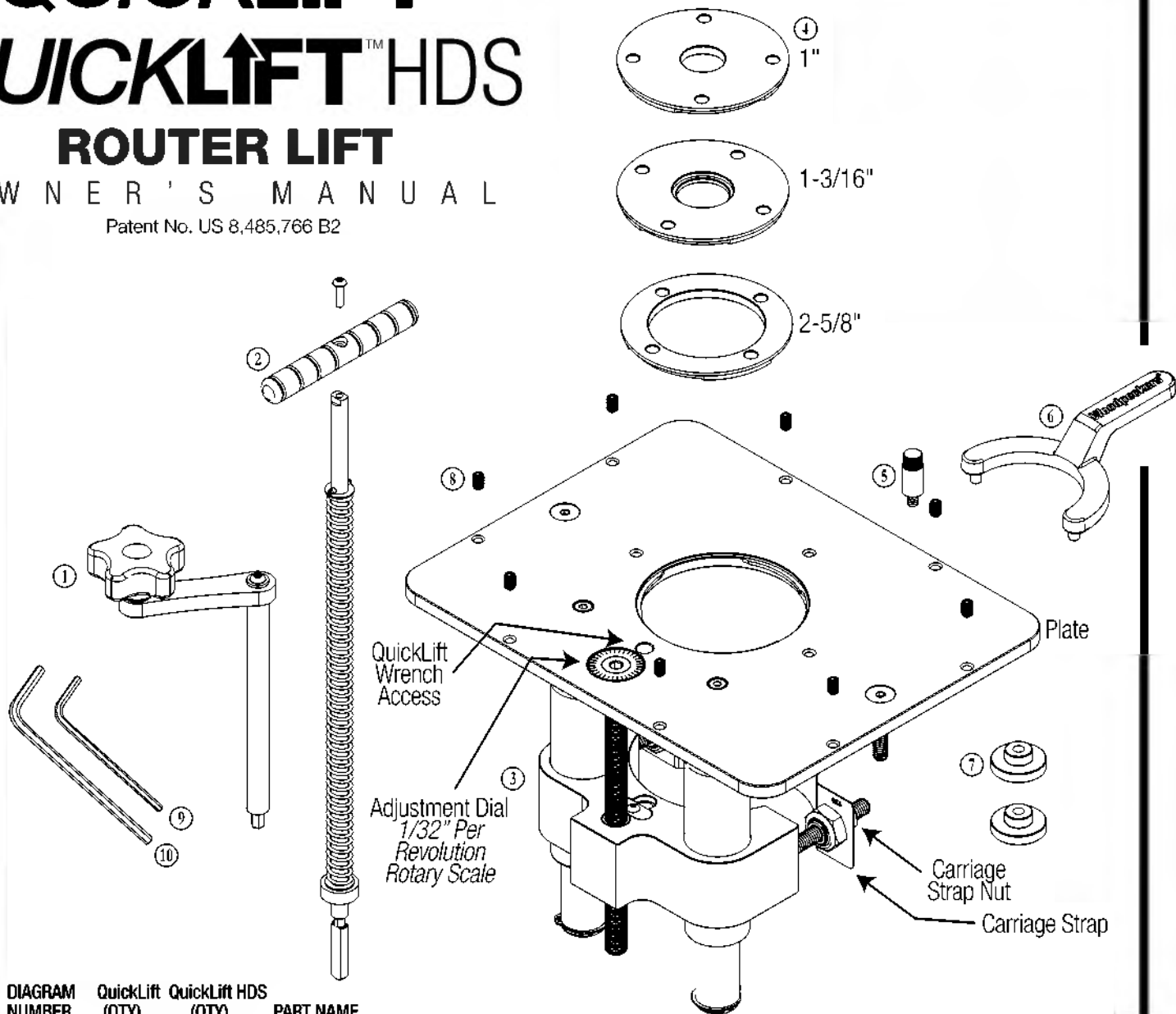


DIAGRAM NUMBER	QuickLift (QTY)	QuickLift HDS (QTY)	PART NAME
①	(1)	(1)	Crank Handle
②	(1)	(1)	QuickLift Wrench (Handle, Shaft, Hex Screw, #8-32 x 5/8")
③	(1)	--	QuickLift Aluminum Plate
	--	(1)	QuickLift HDS Steel Plate
④	(3)	--	Molded Twist Lock Rings 1", 1-3/16", 2-5/8"
	--	(3)	Steel Twist Lock Rings
⑤	(1)	(1)	Steel Starting Pin
⑥	(1)	(1)	Spanner Wrench
⑦	(2)	(2)	Thumbwheel Nuts
⑧	(8)	(8)	Set Screws, 1/4-28 x 3/8"
⑨	(1)	(1)	Hex Key, 3/32"
⑩	(1)	(1)	Hex Key, 1/8"

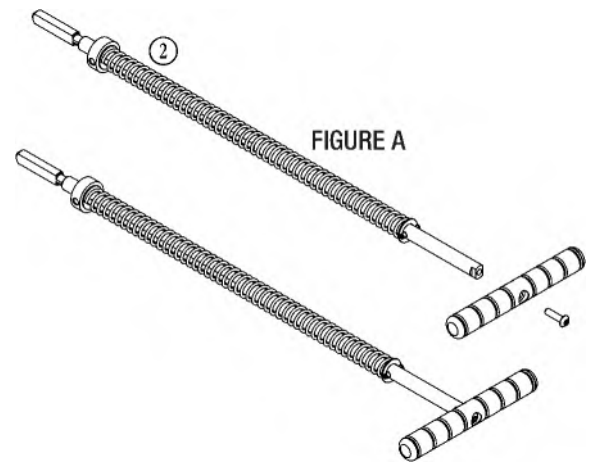


Scan the QR code above to watch the video or visit woodpeck.com under the video tab towards the bottom of the product page.

If you think you're missing anything, email us at mailroom@woodpeck.com. You can also call us at 800-752-0725 from 9:00 a.m. to 4:00 p.m. EST Monday - Friday.

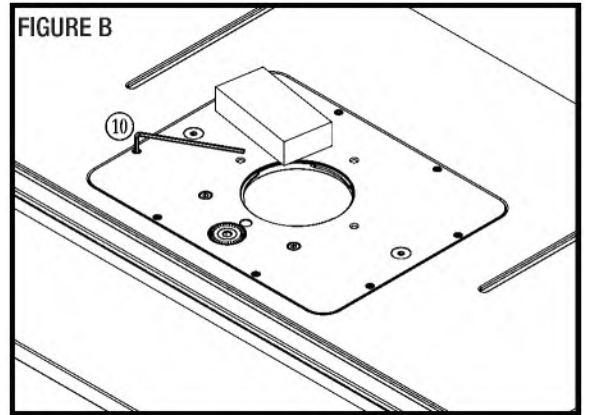
QUICKLIFT WRENCH ASSEMBLY

Attach the Handle to the end of the QuickLift Wrench (2) Shaft and lock in place with the included Hex Screw and Hex Key (9). FIGURE A.



INSTALLING & LEVELING THE QUICKLIFT

1. Place the QuickLift in the opening on your router table.
2. Initial leveling should be done with just (4) of the Set Screws, (2) each on opposite ends of the Plate. Install the (4) Set Screws (8) in the threaded holes of the plate, adjust them to flush with your table using the Hex Key (10).
3. Once the Plate feels flush to the table, use a straight edge to ensure table doesn't catch on the edge of the Plate.
4. Install and adjust the remaining (4) Set Screws and fine tune as necessary. FIGURE B.



III. INSTALLING THE ROUTER MOTOR

5. Zero out the QuickLift Carriage by using the QuickLift Wrench (2) (see PG 3-IV. QuickLift Wrench).
6. Mount your router motor to the QuickLift Carriage by loosening the (2) Carriage Strap Nuts. FIGURE C.

7. Place router motor flush to the Plate. Ensure the Carriage Strap is snug to the router motor by tightening (2) Carriage Strap Nuts.

NOTE: If your router comes with offset wrenches, use a 3/4"~1" spacer (not included) for vertical placement of router motor in Carriage. FIGURE D.

NOTE: The motor length will determine whether above the table bit changes are possible. Shorter motor barrels like that of the PC690, Bosch 1617/1618 and a few others are too short for above the table bit changes. Offset wrenches and collet extenders can help.

8. To lock the QuickLift to your table, hand-tighten the (2) Thumbwheel Nuts (7) to the Bolts on the underside of the Plate FIGURE E.

NOTE: For thicker tables such as MDF, install with the boss up towards the table. For thinner tables, install with the boss down away from the table. FIGURE E-1.

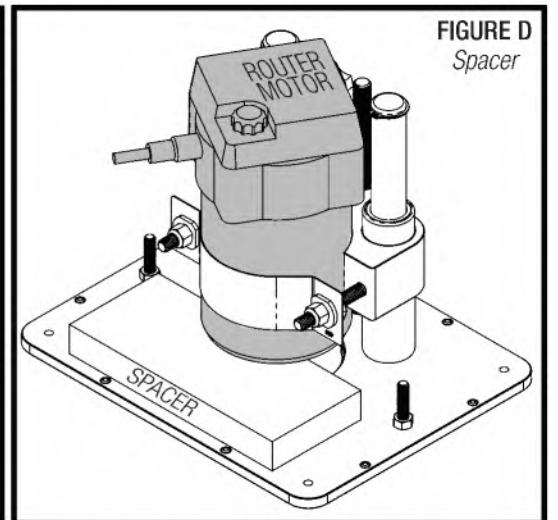
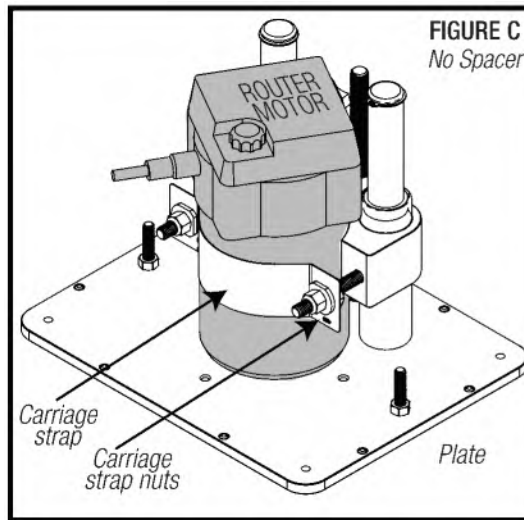
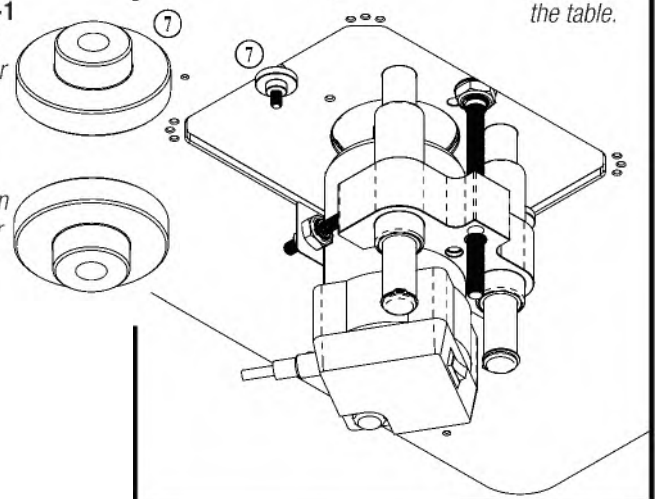


FIGURE E-1

Boss up for thicker tables.

Boss down for thinner tables.



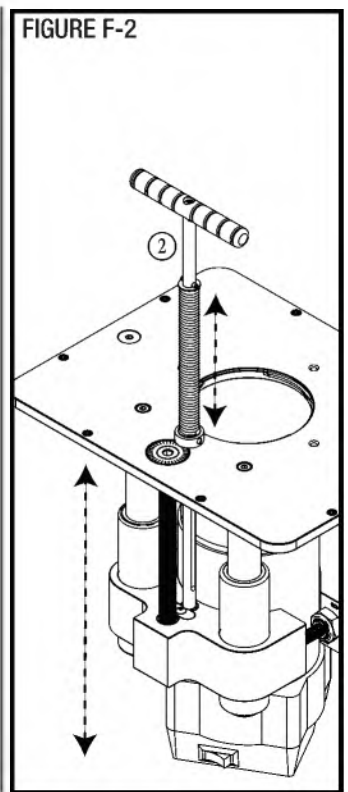
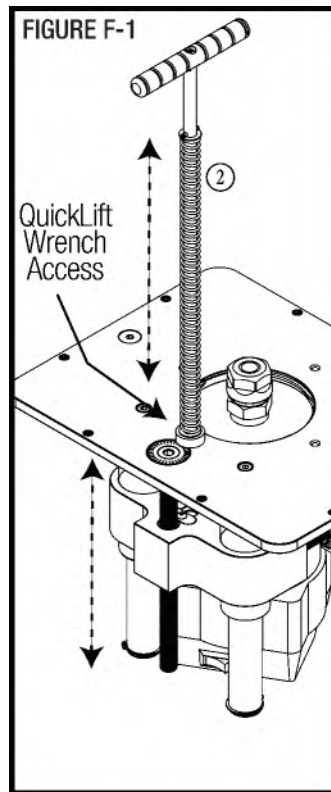
IV. QUICKLIFT WRENCH

1. To change the router motor height, orient the QuickLift Wrench ② with the handle end pointing towards the router motor into the QuickLift Wrench Access. FIGURE F-1.

2. Push down on the QuickLift Wrench until it's COMPLETELY BOTTOMED OUT. Once it's all the way in, try and rotate it. If it doesn't turn, it isn't in.

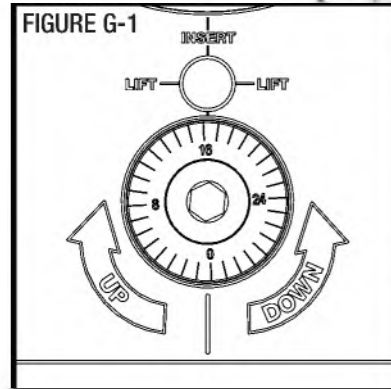
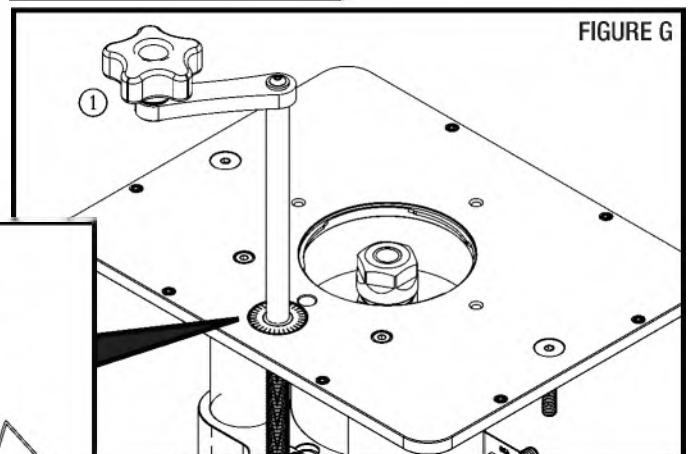
Do not force the QuickLift Wrench. Take it out, push it back down and try again.

3. Once it turns easily, simply rotate it in either direction 1/4 turn until you feel the spring engage. Now raise or lower your router as needed. FIGURE F-2.



V. HEIGHT ADJUSTMENT CRANK & DIAL SCALE

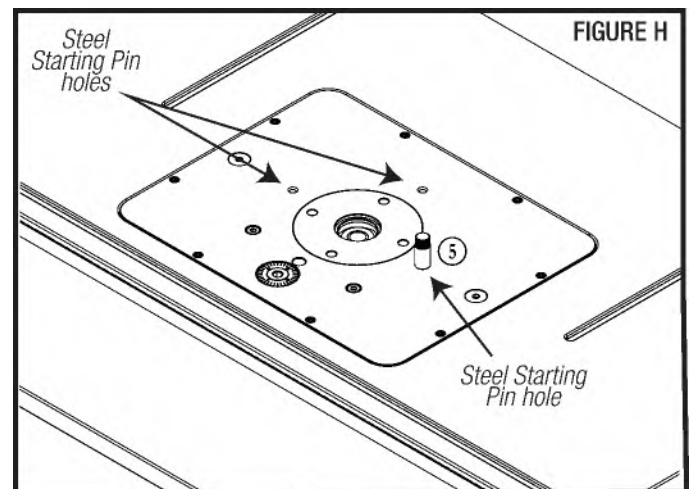
Once the router motor is roughly adjusted with the QuickLift Wrench, micro-adjust the bit height with the Crank Handle ① and the Adjustment Dial. Each full revolution of the dial equals 1/32" vertical adjustment of the router bit. For further adjustments, zero the Adjustment Dial Scale by spinning the scale with your fingers until the zero aligns with the engraving on the plate. FIGURES G & G-1



Adjustment Dial
1/32" Per
Revolution
Rotary Scale

VI. STEEL STARTING PIN

When not using the router table fence, the Steel Starting Pin ⑤ may be inserted in one of three holes depending on your project. FIGURE H.

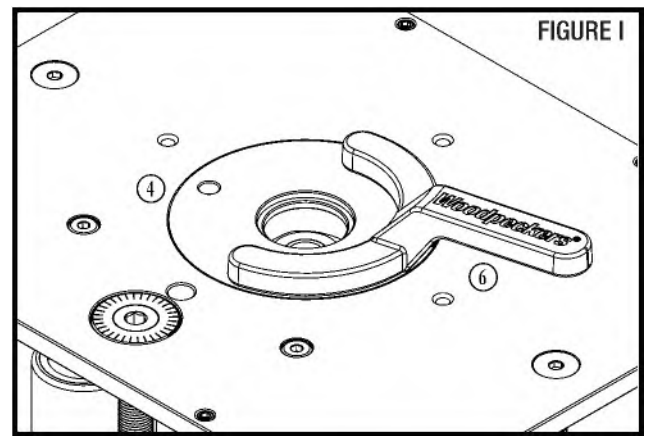


VII. TWIST LOCK RINGS

Use the Spanner Wrench (6) to change the Twist Lock Rings (4). Choose the Twist Lock Ring that is appropriately sized for your router bit.

All Twist Lock Rings use left hand thread. **Rotate counter-clockwise to tighten and clockwise to loosen.** The step bit can also accept a Porter Cable-style guide bushing. FIGURE I.

NOTE: The molded Twist Lock Rings also fit the QuickLift HDS steel plate. An 8-Piece Twist Lock Ring Set (SKU# TLRSET-ML) is available at **Woodpeck.com**. This set includes one each, solid, 3/4, 7/8, 1-3/8, 1-5/8, 1-7/8, 2-1/8 and 2-3/8 in a handy MDF stand.



WARNING! To reduce the risk of injury keep hands away from moving parts. Refer to your power tool manual for proper setup and use.



WARNING! To reduce the risk of injury, wear safety goggles or glasses with side shields, ear protection & a dust mask.

Woodpeckers®

Woodpeckers, LLC Strongsville, Ohio
woodpeck.com
© 2023 Woodpeckers, LLC



At Woodpeckers we are constantly reviewing & improving our tools. The most current version of our instruction manuals are always available to download at woodpeck.com.

(Located in the bottom section of the tool's page under the "Additional Information" or "Instructions" tabs.)



Be the first to know all the new products, OneTIME Tools & sales by subscribing to our eClub. *(Located at the top center of our webpage woodpeck.com.)*



Subscribe to our YouTube channel to stay up-to-date on all the latest tool tips & tricks.



INTERACT WITH US! Follow us on Facebook, Instagram & TikTok!



Enjoy shop tips, project ideas, tool techniques & more in our Woodworking Resource Center/Blog. *(Located at the bottom center of our webpage woodpeck.com.)*



WARNING!

This product can expose you to chemicals, including chromium, which is known to the State of California to cause cancer and birth defects or other reproductive harm.

For more information go to www.P65Warnings.ca.gov