

# Woodpeckers®

## COMPACT AUXILIARY RIP FENCE

O W N E R ' S M A N U A L

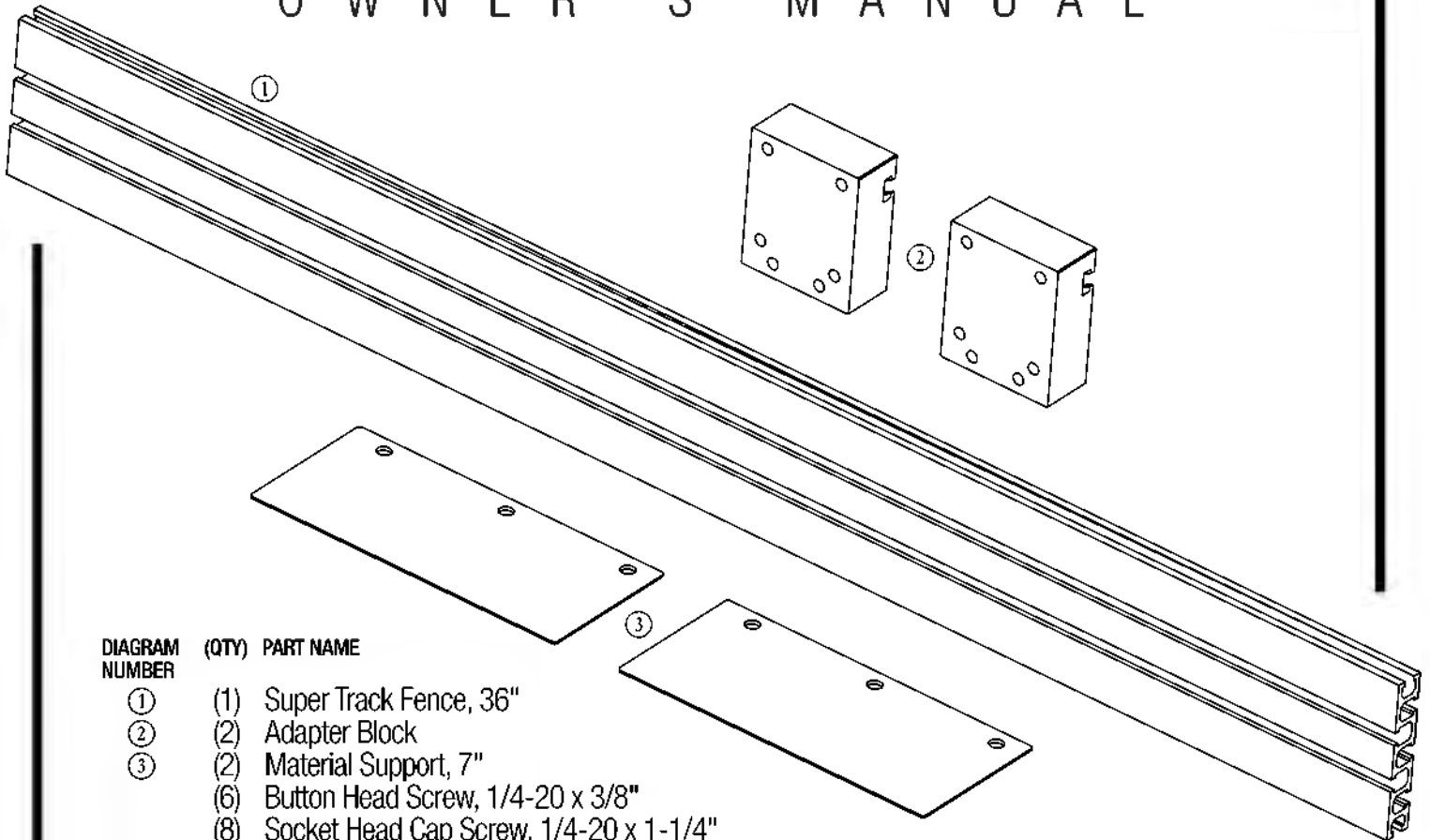


DIAGRAM NUMBER	(QTY)	PART NAME
①	(1)	Super Track Fence, 36"
②	(2)	Adapter Block
③	(2)	Material Support, 7"
	(6)	Button Head Screw, 1/4-20 x 3/8"
	(8)	Socket Head Cap Screw, 1/4-20 x 1-1/4"
	(14)	T-Slot Nut, 1/4-20

**YOU WILL ALSO NEED** *Not included*

5/32" Hex Key

3/16" Hex Key

### Woodpeckers Auxiliary Rip Fence Improves the Accuracy of Cuts on Your Saw.

- Increased fence registration compared to most standard fences.
- Material support effectively increases the size of the table at BOTH infeed and outfeed.
- 7 Accessory tracks offer countless configurations for featherboards and feed guides, sacrificial fences, flip stops, and even shop-made jigs.
- If you have a standard, go-to setting for your Auxiliary Rip Fence, the fence can be attached and detached in just seconds.



Scan the QR code above to watch the video or visit [woodpeck.com](http://woodpeck.com) under the video tab towards the bottom of the product page.

If you think you're missing anything, email us at [mailroom@woodpeck.com](mailto:mailroom@woodpeck.com).  
You can also call us at 800-752-0725 from 9:00 a.m. to 4:00 p.m. EST Monday - Friday.

## BEFORE YOU BEGIN...

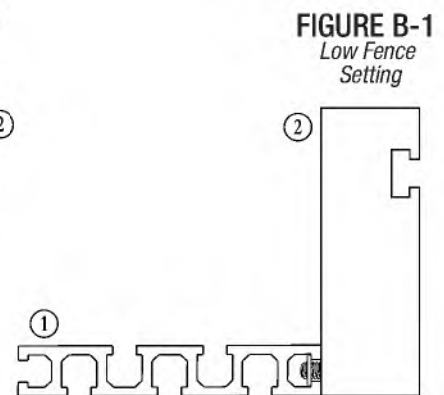
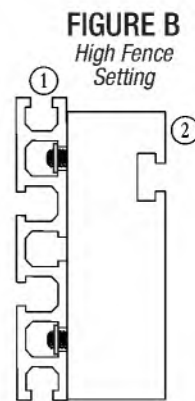
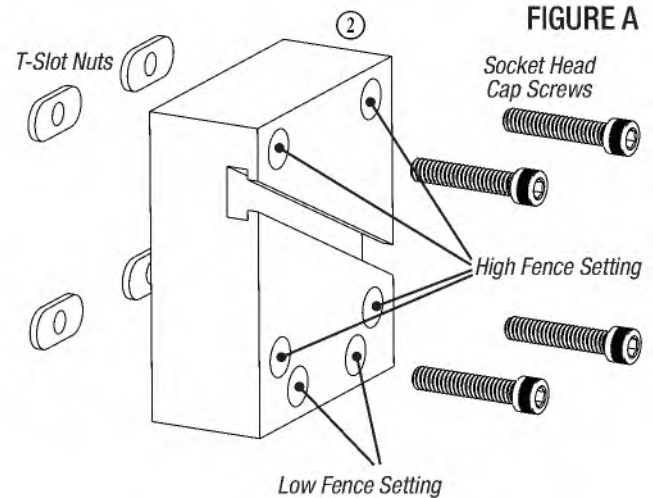
The Compact Auxiliary Rip Fence is designed to clamp to your fence using track clamps (*sold separately*). Screw-style track clamps work best, but trigger-style and ratchet-style work just as well if they do not interfere with the table. See Page 4 for Additional Accessories including recommended clamps.

You can use your Compact Auxiliary Rip Fence in several configurations. The most common application is the **High Fence Configuration**, used to extend the height and length of your existing fence by standing the Super Track Fence on edge. Another configuration is to lay the Super Track Fence flat, creating a **Short Fence Configuration**, allowing you to rip narrow strips from thin stock safely without interference between the fence and push stick. Also, you may elevate the High Setting above the table surface allowing you to flush cut to a template or edge joint a board using a straight edge template attached to the workpiece. See Page 3 for illustrations on the High and Short Fence configurations.

## I. ASSEMBLY

### 1. INSTALLING ADAPTER BLOCKS TO SUPER TRACK FENCE

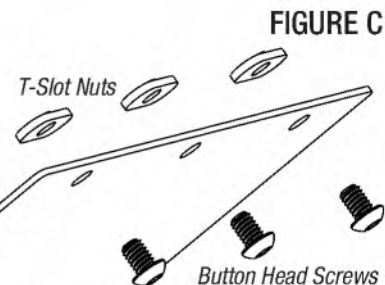
- Install the (4) Socket Head Cap Screws through the ② Adapter Block and loosely thread (4) T-Slot Nuts onto the the ends of the Socket Head Cap Screws. Repeat for the remaining Adapter Block. **FIGURE A.**
- With all the Adapter Blocks in the same orientation (engravings facing up), align the T-Slot Nuts to the tracks in the ① Super Track Fence and slide roughly into position. **FIGURES B & B-1.**
- For best results, the Adapter Blocks should be evenly spaced along your table saw rip fence. Determine the location of the Adapter Blocks by placing the Auxiliary Rip Fence next to your table saw rip fence while locating where you want the length of the fence relative to the blade.
- With the Adapter Blocks in their final positions, tighten the Socket Head Cap Screws using a 3/16" Hex Key.



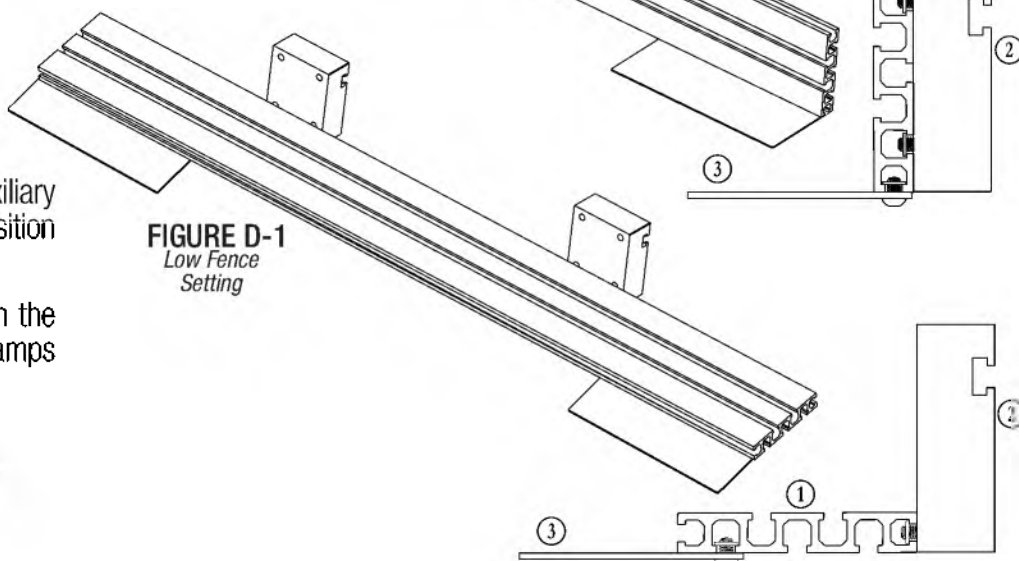
## 2. INSTALLING MATERIAL SUPPORT

a. Place the (3) Button Head Screws through the holes in the (3) Material Support and loosely thread the remaining T-Slot Nuts onto the ends of the Button Head Screws. Repeat for the remaining Material Support. **FIGURE C.**

b. Slide the T-Slot Nuts of the assembly into the correct track of the Super Track Fence. **FIGURES D & D-1.** Locate the Material Support then tighten the Button Head Screws to secure in place.



**FIGURE D**  
High Fence  
Setting



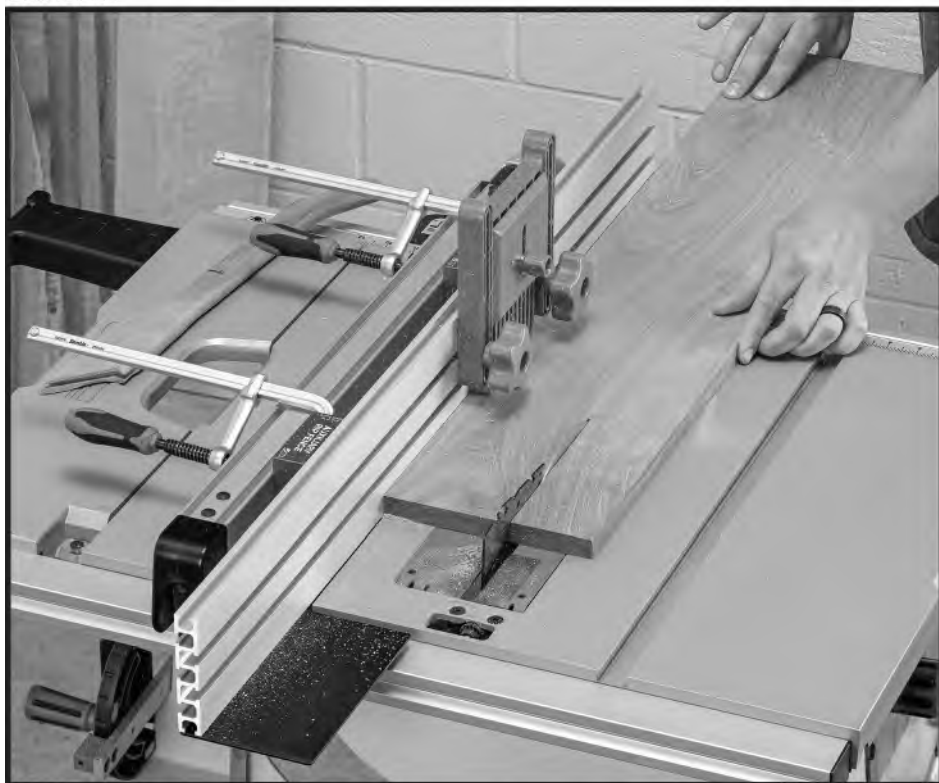
## II. INSTALLATION

1. Place the assembled Compact Auxiliary Rip Fence next to your fence and position where you like.
2. Place track clamps into the slots in the Adapter Blocks and tighten the clamps to your rip fence. **FIGURE E.**

## III. TIPS & TRICKS

1. If raising the Compact Auxiliary Rip Fence above the table surface, use a setup block or scrap material to set a consistent height.
2. When tightening the Adapter Blocks to the Super Track Fence, use a piece of paper (a reliable .005" feeler) underneath the Adapter Block to set it off the table and reduce friction between the fence and the table.

**FIGURE E**





**Woodpeckers®**  
woodpeck.com

**ADDITIONAL ACCESSORIES**

DESCRIPTION	SKU
48" Auxiliary Rip Fence	ARF-48
7" Material Support	ARF-MS
Variable Pressure Featherboards (Pair)	VPFB
Featherboard Track	FBTRACK18
Semble Screw-Type Track Clamps (2-pk)	G20KP-2
Semble Screw-Type Track Clamps (4-pk)	G20KP-4
Semble Ratcheting Track Clamps (4-pk)	G20KL-4P



**WARNING!** To reduce the risk of injury keep hands away from moving parts. Refer to your power tool manual for proper setup and use.



**WARNING!** To reduce the risk of injury, wear safety goggles or glasses with side shields, ear protection & a dust mask.

**Woodpeckers®**

Woodpeckers, LLC Strongsville, Ohio  
woodpeck.com  
© 2024 Woodpeckers, LLC



woodpeck.com

**At Woodpeckers we are constantly reviewing & improving our tools. The most current version of our instruction manuals are always available to download at woodpeck.com.**  
*(Located in the bottom section of the tool's page under the "Additional Information" or "Instructions" tabs.)*



**Be the first to know all the new products, OneTIME Tools & sales by subscribing to our eClub.** *(Located at the top center of our webpage woodpeck.com.)*



**Subscribe to our YouTube channel to stay up-to-date on all the latest tool tips & tricks.**



**INTERACT WITH US! Follow us on Facebook, Instagram & TikTok!**



**Enjoy shop tips, project ideas, tool techniques & more in our Woodworking Resource Center/Blog.** *(Located at the bottom center of our webpage woodpeck.com.)*



**WARNING!**

This product can expose you to chemicals, including chromium, which is known to the State of California to cause cancer and birth defects or other reproductive harm. For more information go to www.P65Warnings.ca.gov