

ULTRA·SHEAR™

by **Woodpeckers®**

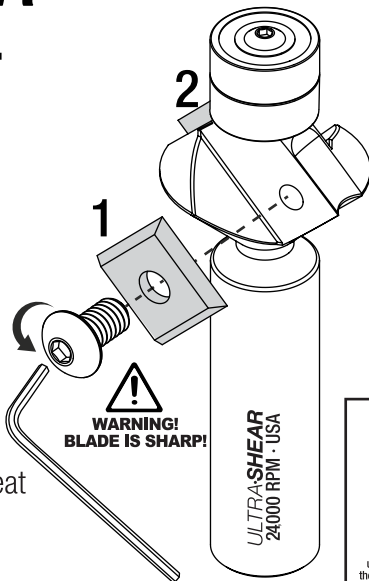
CARBIDE INSERT CHAMFER BIT

Recommended Maximum
Speed: 24,000rpm

When fresh cutting edges are needed, loosen socket-head screw with supplied hex key.

Rotate the blades to a sharp edge.

Then press the blade against the seat with the edge of the blade in the groove and re-tighten.



Scan the QR code above
to watch the video
or visit woodpeck.com
under the video tab towards
the bottom of the product page.

If you think you're missing anything, email us at mailroom@woodpeck.com.
You can also call us at 800-752-0725 from 9:00 a.m. to 4:00 p.m. EST Monday - Friday.

Woodpeckers®

Woodpeckers, LLC Strongsville, Ohio

woodpeck.com

© 2023 Woodpeckers, LLC



WARNING! To reduce the risk of injury keep hands away from moving parts. Refer to your owners manual for proper setup and use.



WARNING! To reduce the risk of injury, wear safety goggles or glasses with side shields, ear protection & a dust mask.



WARNING!

This product can expose you to chemicals, including chromium, which is known to the State of California to cause cancer and birth defects or other reproductive harm.

For more information go to www.P65Warnings.ca.gov



woodpeck.com

At Woodpeckers we are constantly reviewing & improving our tools. The most current version of our instruction manuals are always available to download at woodpeck.com. (Located in the bottom section of the tool's page under the

"Additional Information" or "Instructions" tabs.)



Be the first to know all the new products, *OneTIME Tools* & sales by subscribing to our eClub. (Located at the top center of our webpage woodpeck.com.)



Subscribe to our YouTube channel to stay up-to-date on all the latest tool tips & tricks.



Interact with us! Follow us on Facebook, Instagram & TikTok!



Enjoy shop tips, project ideas, tool techniques & more in our Woodworking Resource Center/Blog. (Located at the bottom center of our webpage woodpeck.com.)