

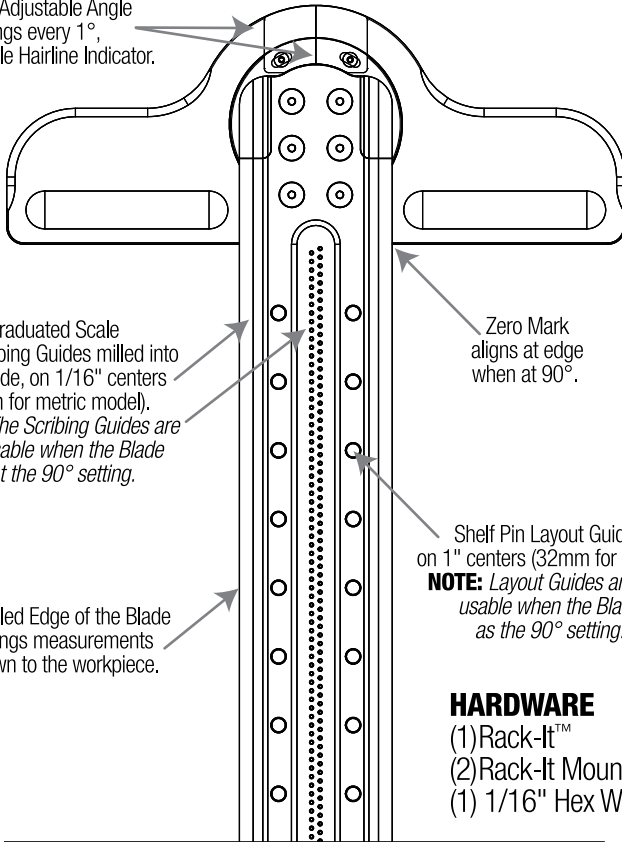
Woodpeckers[®]

PRECISION WOODWORKING

PROTRACTOR T-SQUARE

O W N E R ' S M A N U A L

Graduated Adjustable Angle markings every 1°, with adjustable Hairline Indicator.



Graduated Scale with Scribing Guides milled into the Blade, on 1/16" centers (1mm for metric model).
NOTE: The Scribing Guides are only usable when the Blade is at the 90° setting.

Beveled Edge of the Blade brings measurements down to the workpiece.

Zero Mark aligns at edge when at 90°.

Shelf Pin Layout Guides on 1" centers (32mm for metric).
NOTE: Layout Guides are only usable when the Blade is at the 90° setting.

HARDWARE

- (1) Rack-It™
- (2) Rack-It Mounting Screws
- (1) 1/16" Hex Wrench

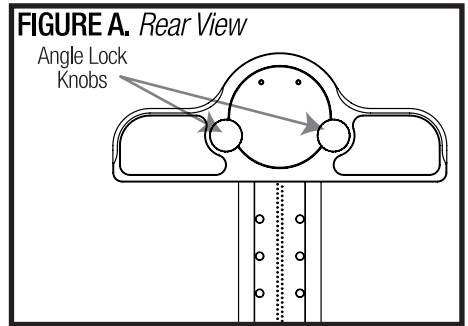


Scan the QR code above to watch the video or visit woodpeck.com under the video tab towards the bottom of the product page.

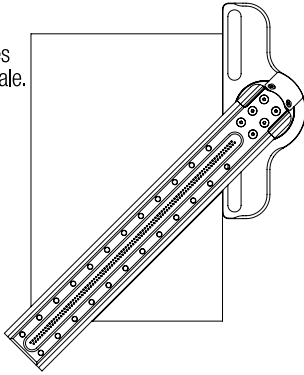
If you think you're missing anything, email us at mailroom@woodpeck.com. You can also call us at 800-752-0725 from 9:00 a.m. to 4:00 p.m. EST Monday - Friday.

• ADJUST THE ANGLE

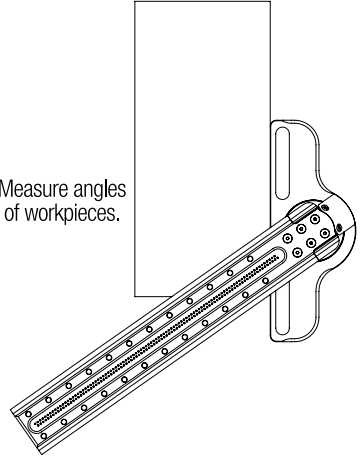
1. Loosen the (2) Angle Lock Knobs on the rear of the T-Square. *The Angle Lock Knobs do not need to be loosened very much, one quarter to a half turn should be more than enough.* **FIGURE A.**
2. Rotate the Blade relative to the Protractor Head until the desired angle is achieved.
3. The angle is read from the Hairline Indicator. **FIGURE B.**
4. Re-tighten the Angle Lock Knobs to secure the angle.



Layout angles
using angle scale.

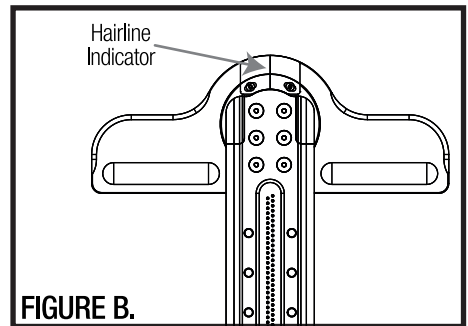


Measure angles
of workpieces.



• SCRIBING GUIDES

1. Set the Blade angle to 90° **NOTE:** *The Scribing Guides only function correctly when the blade is set to 90°.*
2. Place a mechanical pencil in the desired hole, then slide the Head along the edge of the material while moving the marking instrument with your other hand.

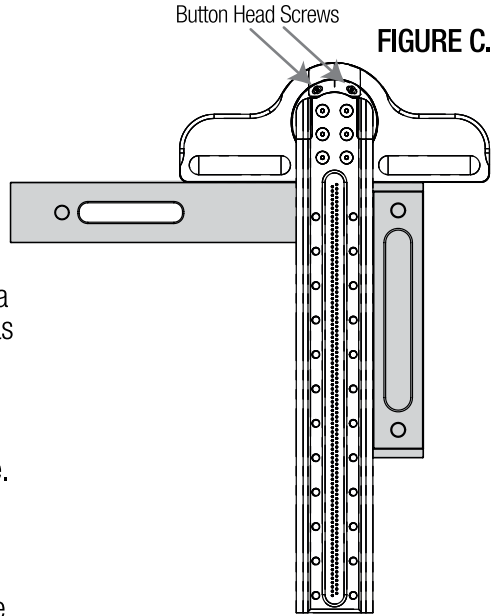


• CALIBRATION

The Hairline Indicator is factory calibrated on the Protractor T-Square. If the angle measurements are off, re-calibration may be necessary.

1. Begin by loosening the (2) Angle Lock Knobs on the rear of the T-Square.
2. Set the T-Square to 90° by using a known good square reference, such as a Woodpeckers 1281 Square (*Sold Separately at woodpeck.com*). **FIGURE B.**
3. Once set to 90° and lock the (2) Angle Lock Knobs to secure the angle. **FIGURE A.**
4. Next, loosen the (2) Button Head Screws that secure the Hairline Indicator to the pivoting core using the Hex Wrench.
5. Keep the Hairline Indicator pressed against the circular section at the top end of the Blade, and pivot until the Hairline reads exactly on the 90° line.
6. Tighten the (2) Button Head Screws on the Hairline Indicator in place.

Your Protractor T-Square is now re-calibrated.



Woodpeckers®

Woodpeckers, LLC Strongsville, Ohio

woodpeck.com

© 2023 Woodpeckers, LLC



woodpeck.com

At Woodpeckers we are constantly reviewing & improving our tools. The most current version of our instruction manuals are always available to download at **woodpeck.com.**

(Located in the bottom section of the tool's page under the "Additional Information" or "Instructions" tabs.)



Be the first to know all the new products, *OneTIME Tools* & sales by subscribing to our eClub. *(Located at the top center of our webpage **woodpeck.com**.)*



Subscribe to our YouTube channel to stay up-to-date on all the latest tool tips & tricks.



INTERACT WITH US! Follow us on Facebook, Instagram & TikTok!



Enjoy shop tips, project ideas, tool techniques & more in our Woodworking Resource Center/Blog. *(Located at the bottom center of our webpage **woodpeck.com**.)*



WARNING! This product can expose you to chemicals, including chromium, which is known to the State of California to cause cancer and birth defects or other reproductive harm. For more information go to www.P65Warnings.ca.gov