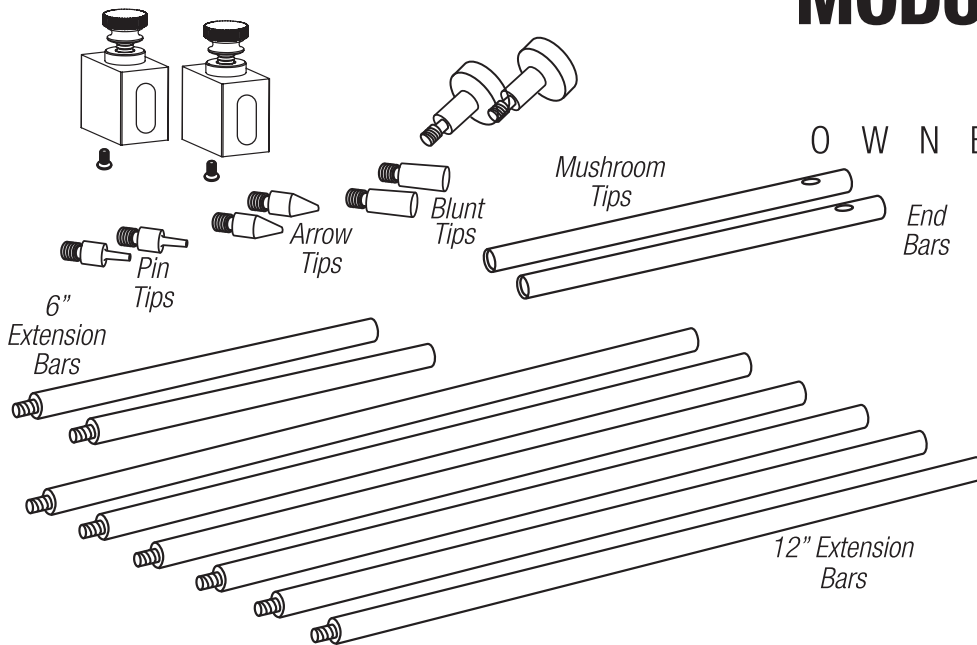


Woodpeckers[®]

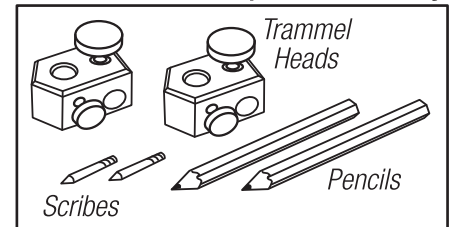
MODULAR BAR GAUGE SYSTEM

O W N E R ' S M A N U A L

and 0.9375" & 0.875" Knobs
with Set Screws



Optional Accessory



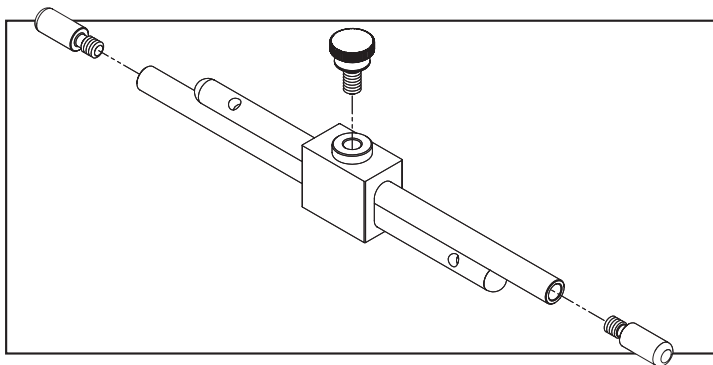
Your **Modular Bar Gauge System** can take dimensions as small as 8-1/4" using only the two **End Bars**. Using all six **12" Extension Bars** and two **6" Extension Bars** you'll reach the maximum gauging length of 96-5/8". Combinations of **12"** and **6" Extension Bars** added to the **End Bars** will cover all dimensions in between.

The **Modular Bar Gauge System** can be assembled two different ways depending on length of the **Bars** in use. When taking the shortest possible measurements using the two **End Bars**, only one **Bar Gauge Body** is used. When using **End Bars** with **Extension Bars**, two **Bar Gauge Bodies** are used. **Extension Bars** are added or removed by simply threading or unthreading the modular pieces where they join.

If you think you're missing anything, email us at mailroom@woodpeck.com. You can also call us at 800-752-0725 from 9:00 a.m. to 5:00 p.m. EST Monday - Friday.

ASSEMBLING THE MODULAR BAR GAUGE

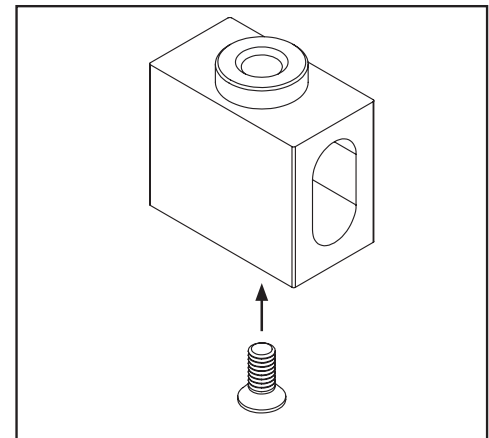
This first step applies only to the shortest assembly using two **End Bars** and only one **Bar Gauge Body**. *Skip to STEP 2 if you're using **End Bar** and **Extension Bars**.*



STEP 1

As shown above, slide both **End Bars** into the **Bar Gauge Bodies** with **End Bars** reversed. In other words, one round and one threaded end should be paired up. Then thread in either **Bar Gauge Body Knob** and tighten down. Now screw the desired **Tip** into the threaded ends of the **End Bars**.

To use this assembly, loosen the **Bar Gauge Body Knob** and slide apart the **End Bars** until the **Tips** are in contact with the reference points you're gauging.



STEP 2

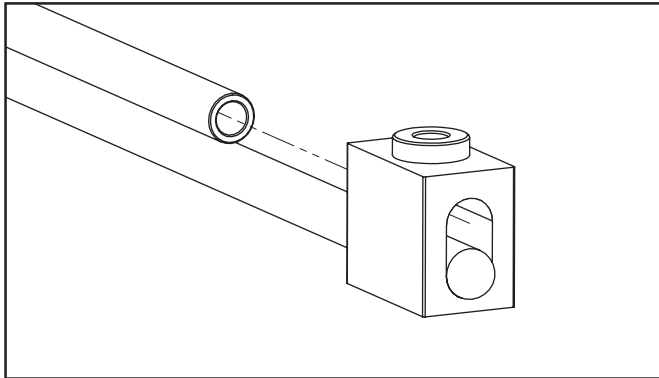
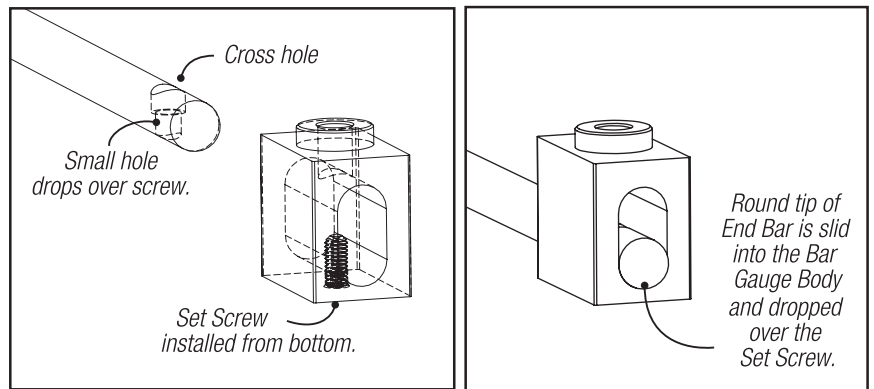
For **Bars** using **Bar End** and **Extension Bars** you need to use two **Bar Gauge Bodies**. Notice that the bottom of each **Bar Gauge Body** has a tapped hole. Install one of the **Set Screws** completely into **ONLY** one **Bar Gauge Body**.

*Note: You'll only need one (1) **Set Screw**. An extra is included in case the first is lost.*

STEP 3

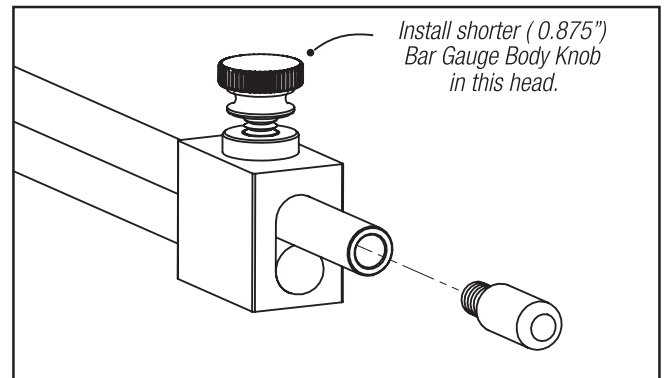
Now take a look at the cross hole toward the round end of each **End Bar**. Notice that one end of this hole is smaller in diameter than the other. The small hole is dropped over the **Set Screw** just installed in STEP 2.

*Note: You'll only need one (1) **Set Screw**. An extra is included in case the first is lost.*



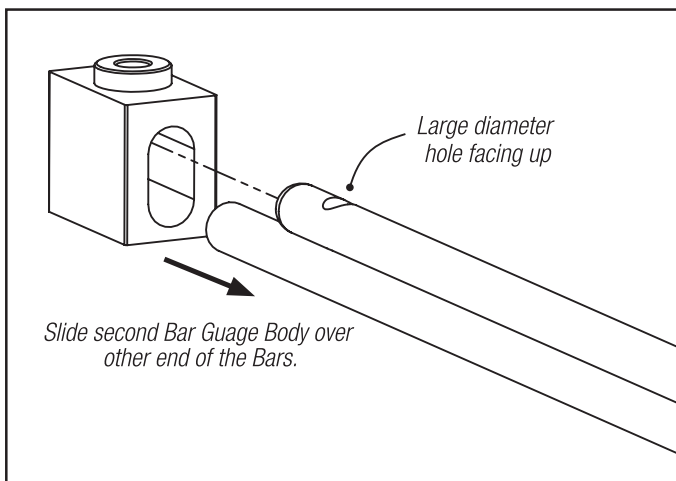
STEP 4

With the second **Bar** over the first, slide the threaded end through the **Bar Gauge Body**.



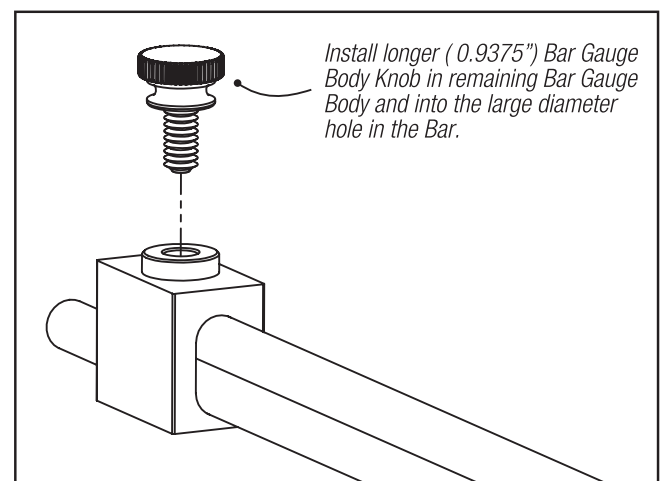
STEP 5

Notice that the two **Bar Gauge Body Knobs** are different. One is about 1/8" longer than the other. Install the shorter (0.875") **Bar Gauge Body Knobs** at this time. The assembly should look like the illustration above.



STEP 6

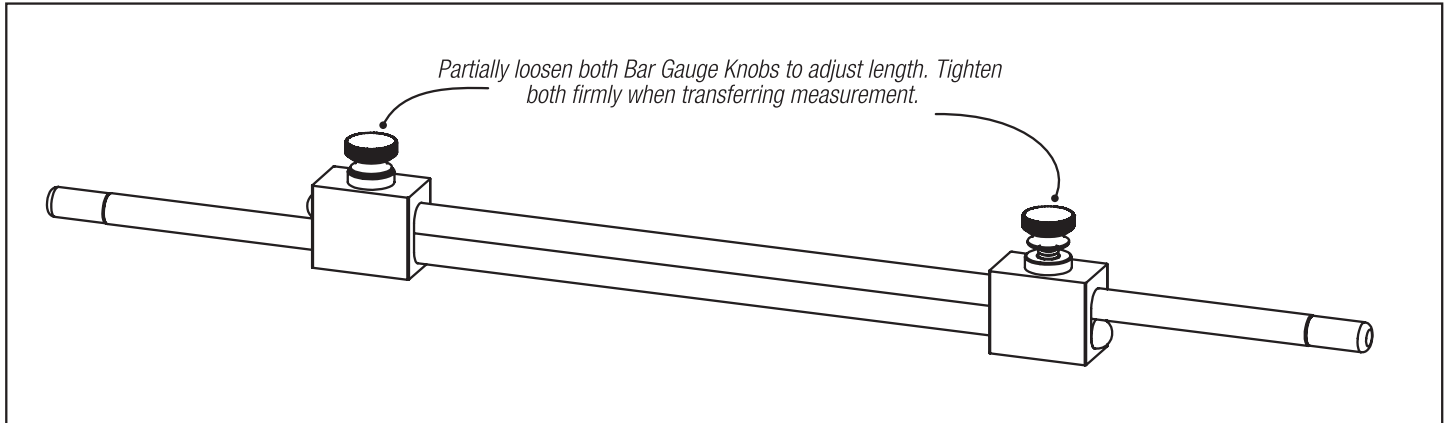
Slide the second **Bar Gauge Body** over the other end of the **Bars**. This time orient the large diameter cross hole in the upper **Bar** with the hole in the top of the **Bar Gauge Body**.



When it's aligned, install the longer (0.9375") **Bar Gauge Body Knob** into the **Bar Gauge Body**. The tip of the **Bar Gauge Body Knob** needs to fit in the hole in the **Bar**. Tighten the **Bar Gauge Body Knob** all the way down then back it off a half a turn.

STEP 7

Lastly, screw in the **Tip** of choice into each end of the **Bars**. Four different **Tip** shapes are included with your **Modular Bar Gauge System** including **Pin Tips**, **Arrow Tips**, **Blunt Tips** and **Mushroom Tips**.

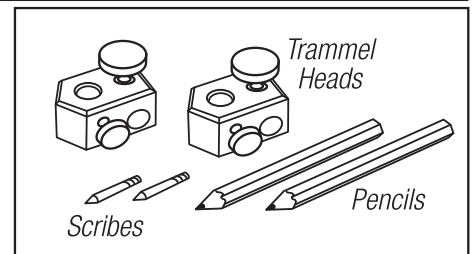
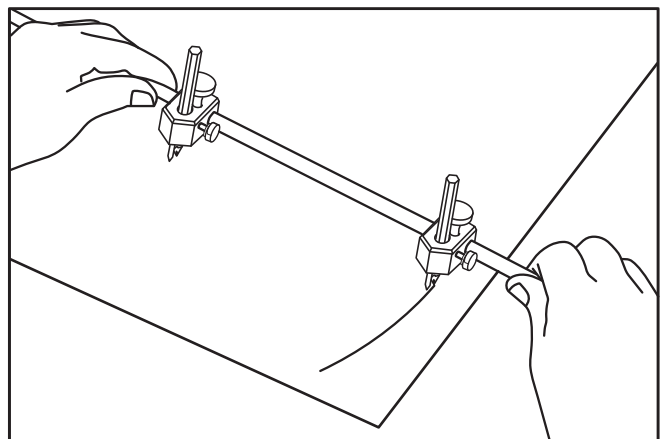


ADJUSTING THE MODULAR BAR GAUGE

Using your **Modular Bar Gauge** is fairly simple. To extend or shorten the **Modular Bar Gauge** length, slightly loosen both **Bar Gauge Knobs** and then slide the **Bars** in the desired direction. If assembled properly, you'll be able to adjust the overall length of either **Bar** while holding the **Bar Gauge Knobs**. Each **Bar** should remain engaged with their respective **Bar Gauge Body**.

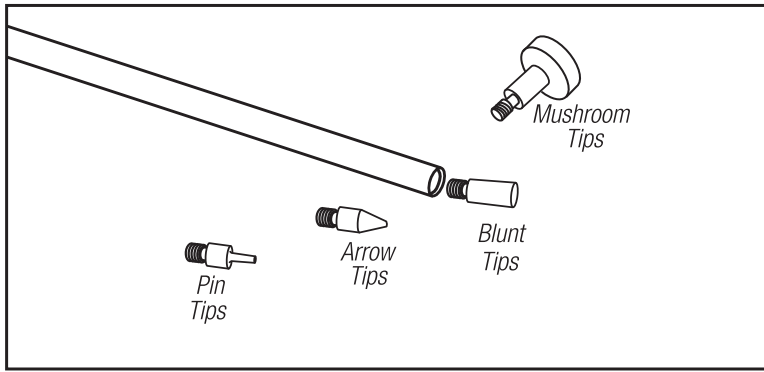
OPTIONAL TRAMMEL HEAD ACCESSORY

Make a trammel point compass of any length with the optional **Trammel Head Accessory**. Assemble as many **Extension Bars** as needed for the radius of the circle you want to draw. Install a **Scribe Point** into one **Trammel Head** to act as the pivot point and clamp it onto the assembled **Extension Bars**. You can use either a **Pencil** or a **Scribe** in the swinging end of the compass depending on the material you're marking.

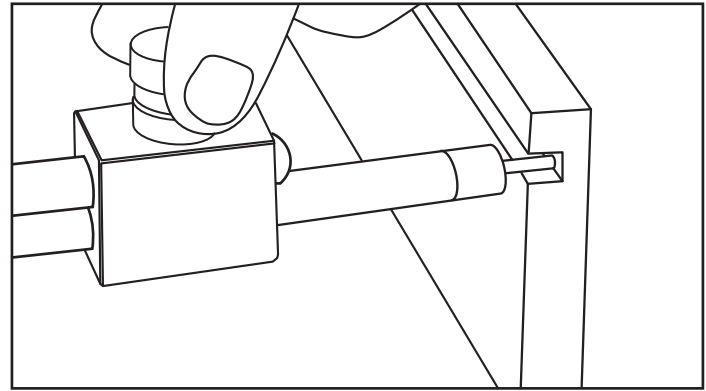


INTERCHANGEABLE TIPS

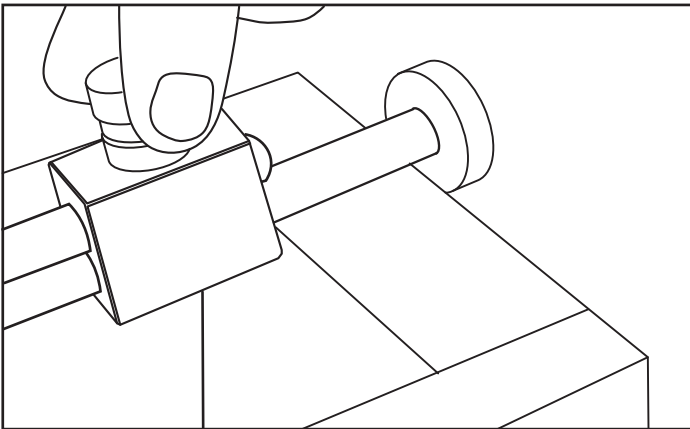
The **Blunt Tips** are perfect for gauging the distance between cabinet parts for shelves, door and drawer openings and more. When making built-ins, they are indispensable when taking measurements between walls...and dozens more uses.



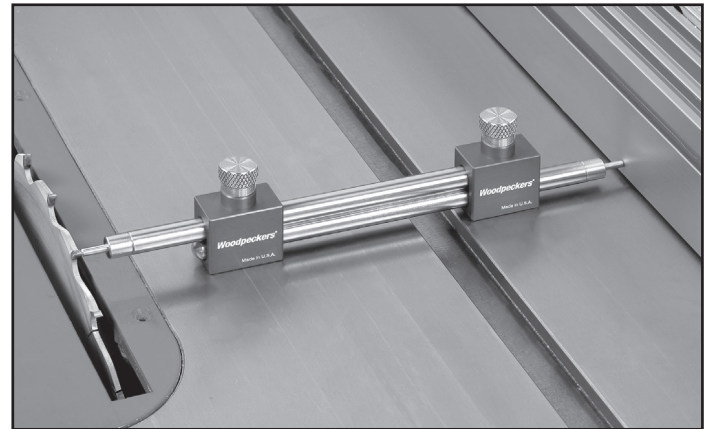
Attach **Arrow Tips** to check if a cabinet, frame or drawer box is square by comparing the distance between diagonal corners.



Use the **Pin Tips** to measure the distance between cabinet parts like the grooves in drawer sides to find the exact measurement for drawer bottoms or other cabinet parts that nest in dadoes, rabbets or grooves.



Mushroom Tips - this style tip adds a new dimension to the versatility of your new **Modular Bar Gauge**. You can use the flanged ends to take an outside dimension. Because the 3/4" mushroom "stem" is the precise length of the other style tips, just switch tips and you can transfer the outside dimension to set up your table or miter saw to replicate an inside dimension.



After adjusting the **Modular Bar Gauge** to a precise fit, transfer the setting to your table saw or miter saw directly with the **Modular Bar Gauge**. No need to measure the gauge and try to set the saw to a specific measurement, just use the **Modular Bar Gauge** itself. Set your fence so that the teeth of your saw blade just barely touch the tips on the **Modular Bar Gauge**. You'll get perfectly fitting components with no math involved!

Woodpeckers®

PRECISION WOODWORKING TOOLS

Woodpeckers, LLC Strongsville, Ohio · woodpeck.com

© 2019 Woodpeckers, LLC



WARNING! This product can expose you to chemicals, including chromium, which is known to the State of California to cause cancer and birth defects or other reproductive harm. For more information go to www.P65Warnings.ca.gov