

Woodpeckers®

MORTISE BASE

OWNER'S MANUAL

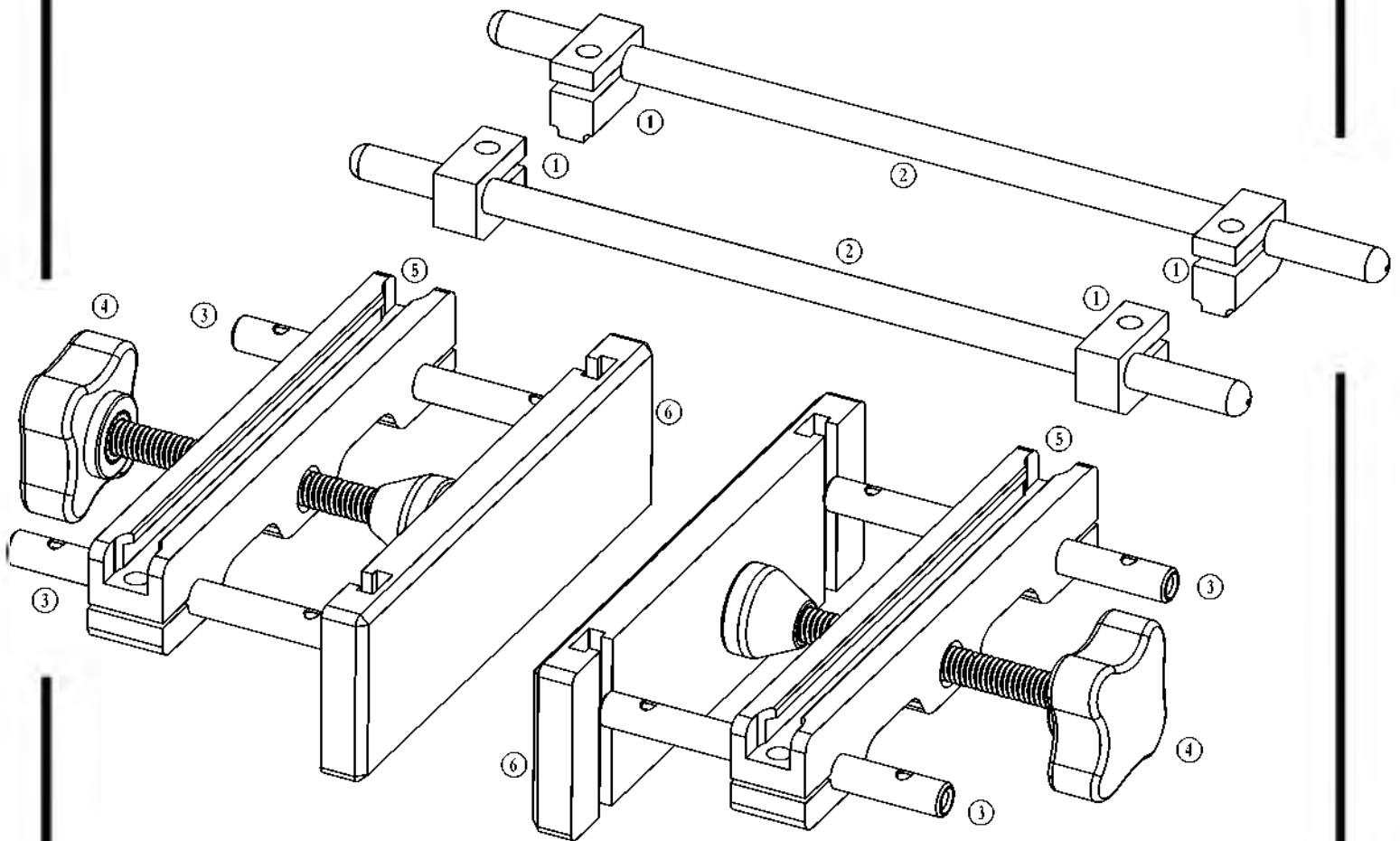
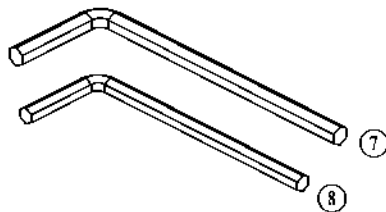


DIAGRAM NUMBER (QTY) PART NAME

- ① (4) Router Guide Rod Clamps
- ② (2) Router Guide Rods
- ③ (4) Fence Guide Rods
- ④ (2) Adjustment Knobs
- ⑤ (2) Fence Guide Rod Clamps
- ⑥ (2) Fences
- ⑦ (1) 3/32" Hex Key
- ⑧ (1) 1/8" Hex Key



WARNING! Always unplug your router (or remove the battery) before making any adjustments. Be sure to read, understand and follow all the manufacturers warnings and instructions prior to using the router or making adjustments..



Scan the QR code above to watch the video or visit woodpeck.com under the video tab towards the bottom of the product page.

If you think you're missing anything, email us at mailroom@woodpeck.com. You can also call us at 800-752-0725 from 9:00 a.m. to 4:00 p.m. EST Monday - Friday.

Thank you for your purchase of the **Woodpeckers Mortise Base**. Now, you can safely and accurately rout mortises in stock as thin as your router bit allows and over 5" thick with nearly any plunge router.

I. ASSEMBLY

MOUNTING YOUR ROUTER



PRO TIP

If your router has a removeable base, assembly and setup are even easier using just the base.

- Remove the two ② Router Guide Rods from the Mortise Base by loosening the ① Router Guide Rod Clamps with the ⑦ 3/32" Hex Key in the socket head cap screws and sliding the Router Rods out.
- Install the ② Router Guide Rods into the through holes in your router base and locate the base roughly in the center of the rods. Tighten the rods in place using the router's guide rod locking knobs. **Figure A.**
- Crack loose all (4) socket head cap screws in the ⑤ Fence Guide Rod Clamps with the ⑦ 3/32" Hex Key.
- Install the Fence assembly engraved with "FACE" by sliding the Guide Rod Clamps onto the Router Guide Rods. **Figure B.**

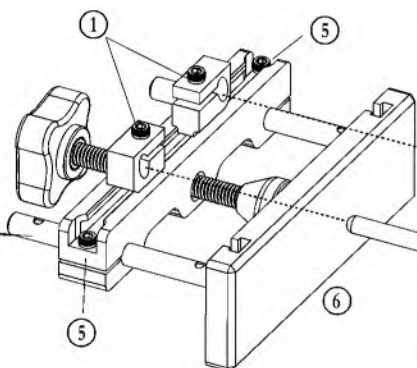
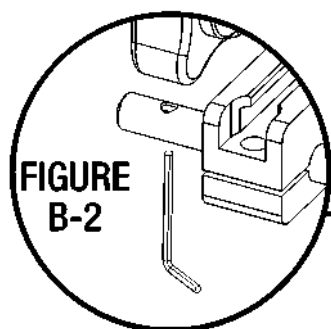


FIGURE B

- Roughly center the ② Router Guide Rods on the fence assembly and then slide the ⑥ Fence in towards the center of the router by hand. When the Mortise Base is roughly centered on the router base, loosely tighten both ① Router Guide Rod Clamps before fully tightening both. **Figure B-1.**

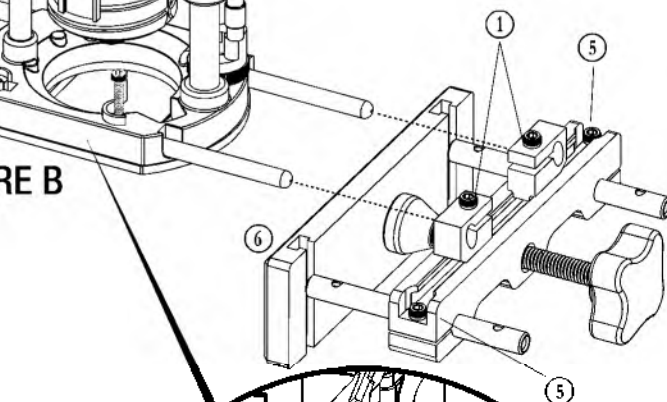
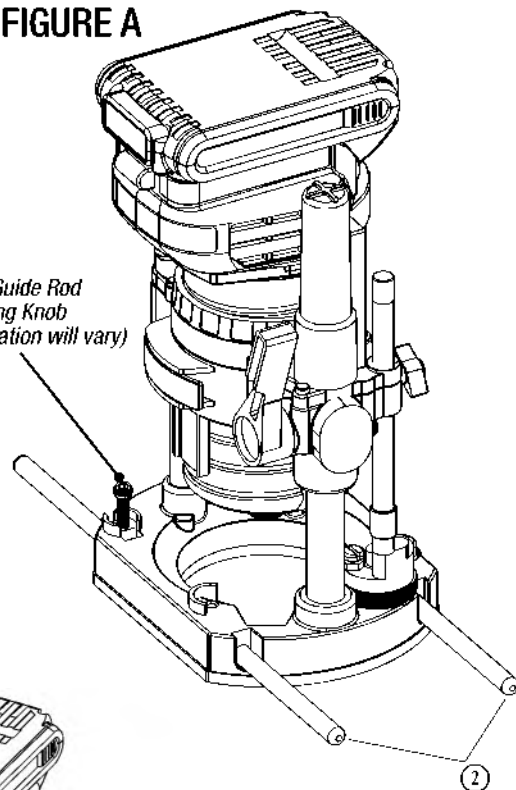
NOTE

The Router Guide Rod Clamps are designed to automatically square the guide rod to the track. Force on the guide rod may prohibit the clamp from self-squaring and cause binding. You can prop the router on a 2x4 or 4x4 while tightening the clamps.

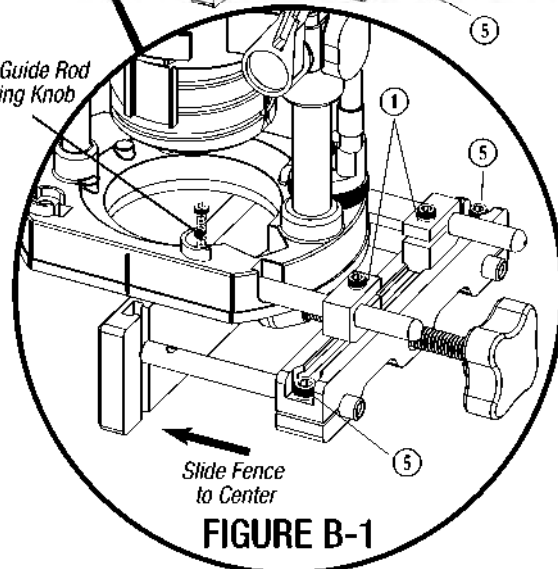
- Crack loose the router's guide rod locking knobs to relieve any tension on the ② Router Guide Rod and repeat this step for the other Fence assembly. Re-tighten the Router's Guide Rod Locking Knobs.
- The ⑤ Fence Guide Rod Clamps should still be loose. Crack loose all (4) ③ Fence Guide Rods using the ⑧ 1/8" Hex Key through the holes in the rod for leverage. **Figure B-2.** Adjust the Fence vertically so there is a small (~1/32") gap between the top of the Fence and the base of the router and tighten the Fence Guide Rods. You can use (4) playing cards or similar thickness as a shim. Re-tighten the Fence Guide Rods using the 1/8" Hex Key.

FIGURE A

Router Guide Rod Locking Knob
(Shape / Location will vary)



Router Guide Rod Locking Knob



Slide Fence to Center

FIGURE B-1

II. ADJUSTMENT

- A. The ⑥ Fences should be parallel, roughly centered on the router, and should not bind when adjusting the distance between the Fences. If any of these appear excessive after assembly, adjust one fence assembly at a time until it functions smoothly. Use **Figure C** to make adjustments where you feel the binding is occurring.

III. OPERATION

- A. Lay out your mortise on the workpiece. If your router base has a reliable centerline indicator, you can mark a centerline and the length. Or, mark the full length and width of the mortise to align your router bit.
- B. Install your desired router bit and install the router in the base (if applicable).
- C. With your workpiece secured by clamps or in a vise, straddle the Mortise Base over the workpiece where you will cut your mortise.
- D. Roughly center the Mortise Base over the layout marks. Bring the Fences together on the workpiece by tightening the Adjustment Knobs. It should be tight enough that the Mortise Base does not flop, but can still slide along the edge easily.
- E. Plunge the router bit to the face of the workpiece and lock in place.
- F. To align the router bit to your mortise, loosen the Router's Guide Rod Locking Knob and move the router along the guide rods until you reach your layout marks. Alternatively, you can simultaneously turn the two Adjustment Knobs until the bit is aligned with the layout marks. Tighten the Fence Guide Rod Clamps. **Figures D & D-1**.
- G. To set a mortise length stop, align the router bit to one end of the mortise. Butt a piece of scrap to the Fence and clamp in place. This will limit the travel of the Mortise Base to one end of the mortise. Do the same for the other direction. If your mortise is at the end of your workpiece, clamp the stop to your table.



DOUBLE CHECK that all of the socket head cap screws and your router's guide rod locking knob are tightened. The router must be fully restrained for safety and for the best quality cut.

- H. Rout your mortise, taking shallow passes until you get to your desired depth.

FIGURE C

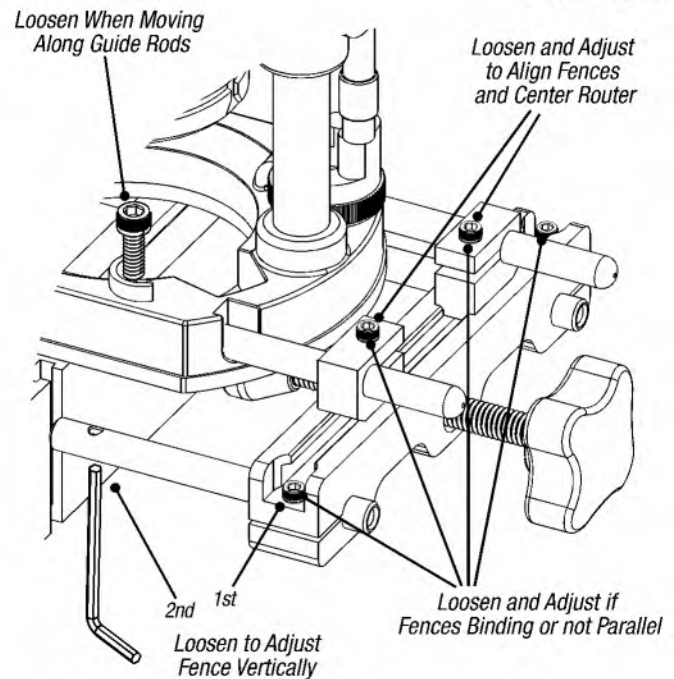
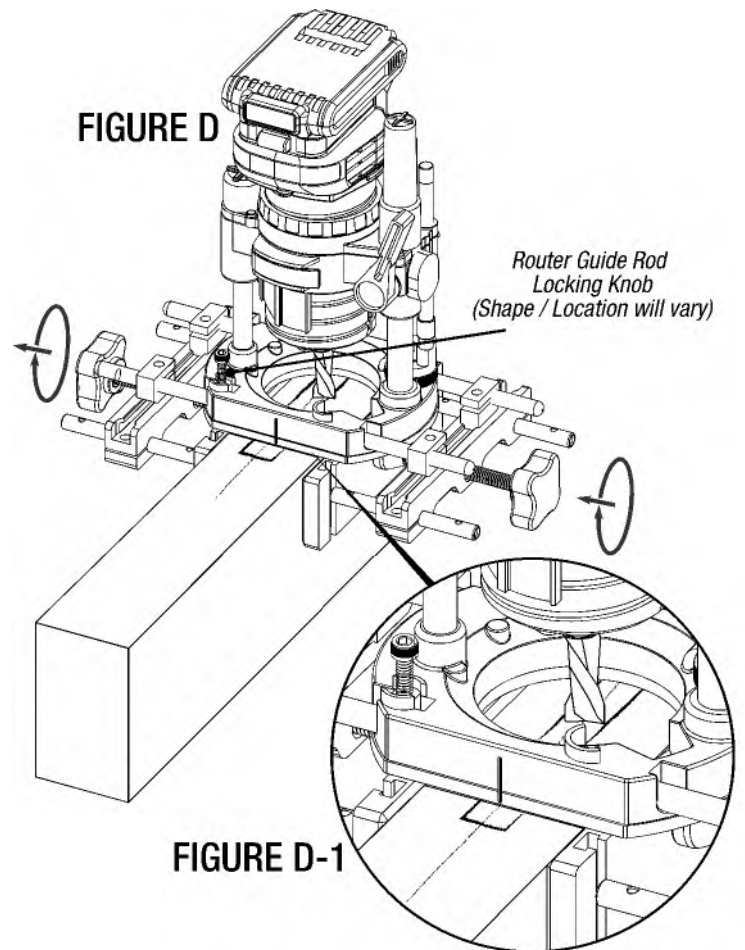
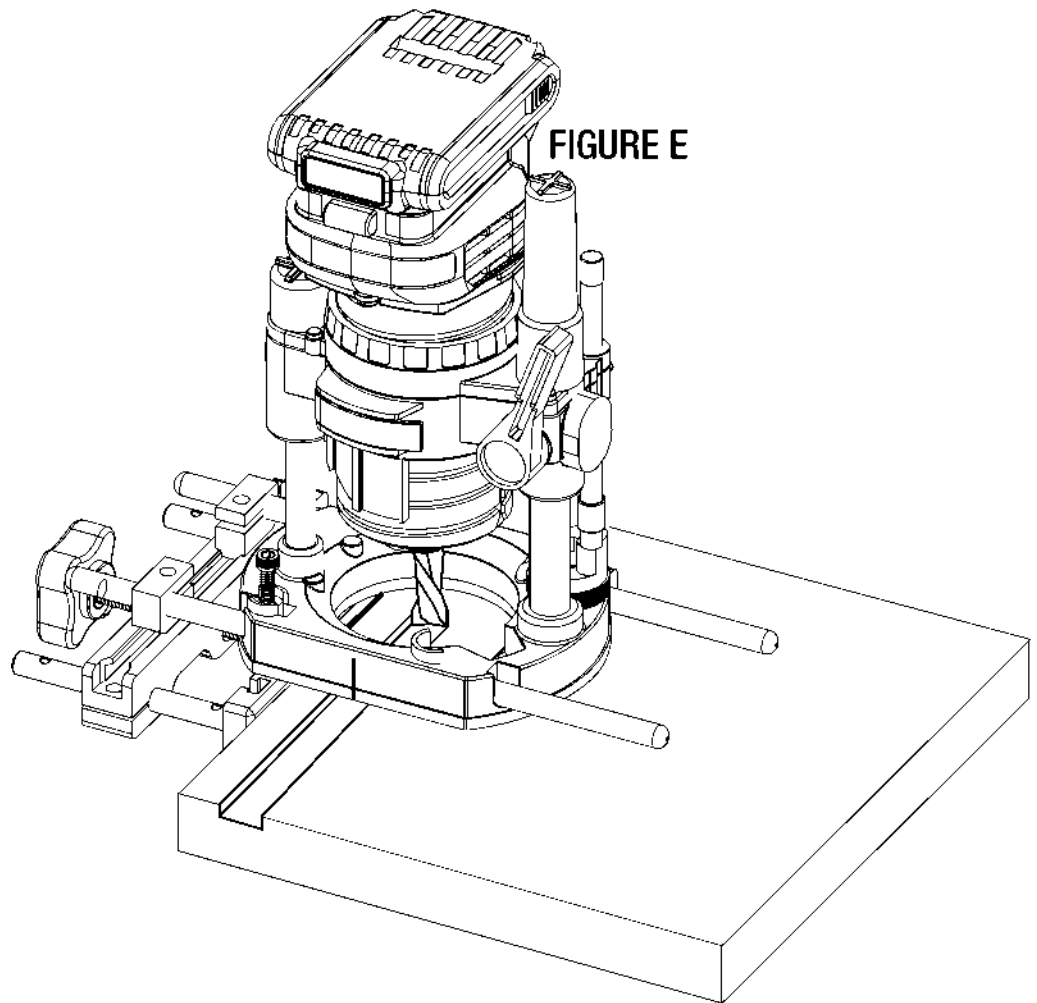



FIGURE D



IV. TIPS & TRICKS

- A. The Mortise Base is marked "FACE" on one side. Use this reference against the "show" face of multiple workpieces to ensure the mortises align, even if they aren't perfectly centered. If the boards are different thicknesses (intentionally or not), simply loosen the Adjustment Knob on the other side, leaving the "FACE" reference in the same position.
- B. If you need to remove your router from the Mortise Base and intend to re-install the same router, leave all of the clamps tight on the fence marked "FACE." Loosen the clamps on the other fence and the Router Base. This retains the settings on one half of the fence and makes re-adjustment much simpler.
- C. You can use your Mortise Base as an edge guide for rabbeting or slotting by using only one of the fences. With one fence removed from the Mortise Base, adjust the Fence so that the router bit is aligned with the layout marks. Set your depth of cut. With the fence against the edge of your workpiece and the router bit clear of the workpiece, start the router and use the edge of the workpiece as the guide. Always take shallow passes until you reach your desired depth. **Figure E.**



 **WARNING!** Always unplug your router (or remove the battery) before making any adjustments. Be sure to read, understand and follow all the manufacturers warnings and instructions prior to using the router or making adjustments.

 **WARNING!** To reduce the risk of injury keep hands away from moving parts. Refer to your power tool manual for proper setup and use.

 **WARNING!** To reduce the risk of injury, wear safety goggles or glasses with side shields, ear protection & a dust mask.

Woodpeckers®

Woodpeckers, LLC Strongsville, Ohio

woodpeck.com

© 2024 Woodpeckers, LLC



woodpeck.com

At Woodpeckers we are constantly reviewing & improving our tools. The most current version of our instruction manuals are always available to download at woodpeck.com. (Located in the bottom section of the tool's page under the "Additional Information" or "Instructions" tabs.)



Be the first to know all the new products, **OneTIME Tools & sales** by subscribing to our eClub. (Located at the top center of our webpage woodpeck.com.)



Subscribe to our YouTube channel to stay up-to-date on all the latest tool tips & tricks.



INTERACT WITH US! Follow us on Facebook, Instagram & TikTok!



Enjoy shop tips, project ideas, tool techniques & more in our Woodworking Resource Center/Blog. (Located at the bottom center of our webpage woodpeck.com.)



WARNING!

This product can expose you to chemicals, including chromium, which is known to the State of California to cause cancer and birth defects or other reproductive harm.

For more information go to www.P65Warnings.ca.gov