

Woodpeckers®

FLUSH TRIM BASE

O W N E R ' S M A N U A L

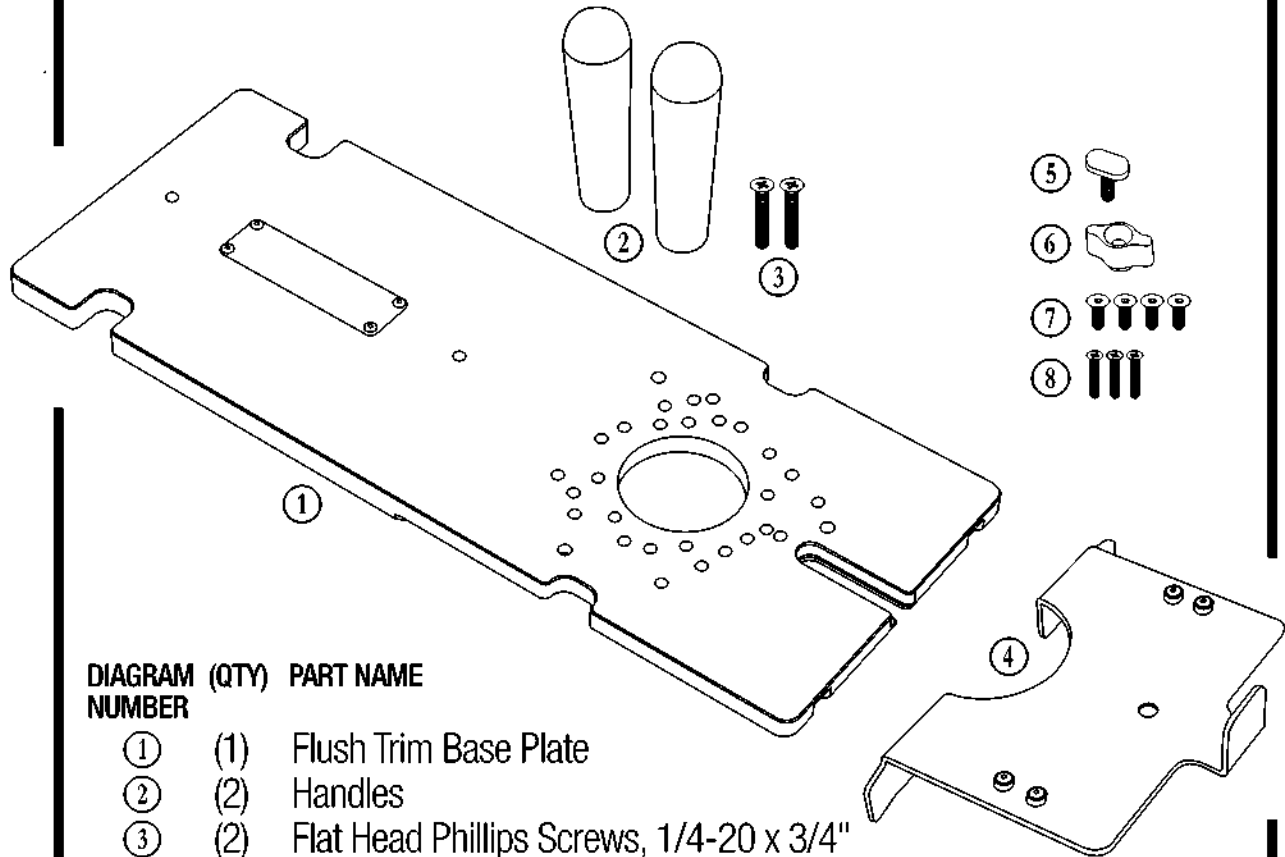


DIAGRAM (QTY) PART NAME
NUMBER

- ① (1) Flush Trim Base Plate
- ② (2) Handles
- ③ (2) Flat Head Phillips Screws, 1/4-20 x 3/4"
- ④ (1) Fence
- ⑤ (1) Fence Guide Screw
- ⑥ (1) Multi-Knob
- ⑦ (4) Pan Head Phillips Screws, M4 x 10mm
- ⑧ (3) Flat Head Phillips Screws, #10-24 x 5/8"

THANK YOU for your purchase of the **Woodpeckers® Flush Trim Base**. Now you can quickly and safely trim solid wood edge banding with virtually no tearout. And it's not just for edge banding, you can flush through-tenons or dowels or other tedious flush cutting tasks.



Scan the QR code above
to watch the video
or visit woodpeck.com
under the video tab towards
the bottom of the product page.

If you think you're missing anything, email us at mailroom@woodpeck.com.
Or, check the product webpage under the "Manuals" tab
for an updated version of these instructions.

You can also call us at 800-752-0725 from 9:00 a.m. to 4:00 p.m. EST Monday - Friday.

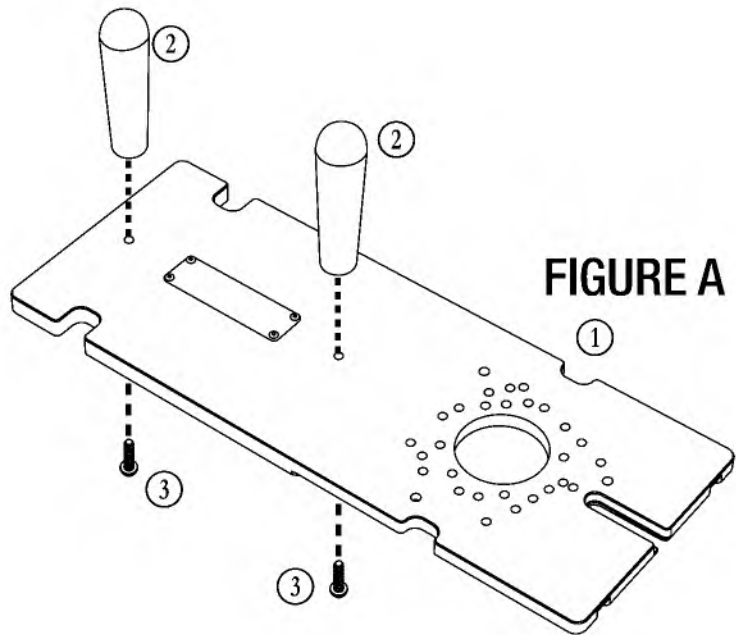
I. ASSEMBLY

YOU WILL NEED:

- P2 Phillips Head Screwdriver

A. INSTALL HANDLES

Using a Phillips screwdriver, firmly tighten the ③ Handle Screws through the two holes in the ① Flush Trim Base Plate and into the two ② Handles. **FIGURE A.**



B. FENCE ADJUSTMENT

The Flush Trim Base can be used with or without the Fence (See Part II, pg 4).

Adjust the ④ Fence by loosening the ⑤ Multi-Knob and sliding the Fence. Tighten the ⑥ Multi-Knob to lock the Fence in place. **FIGURES B & B-1.**

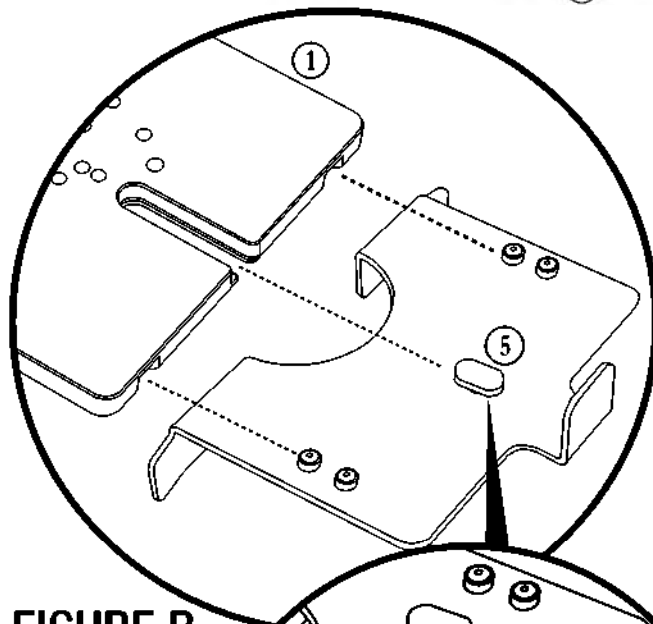
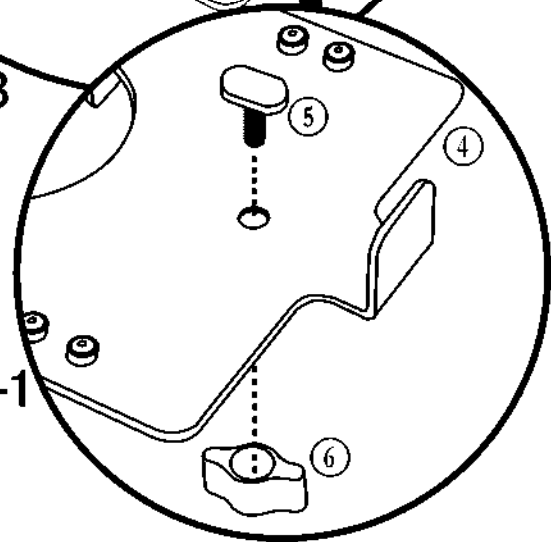
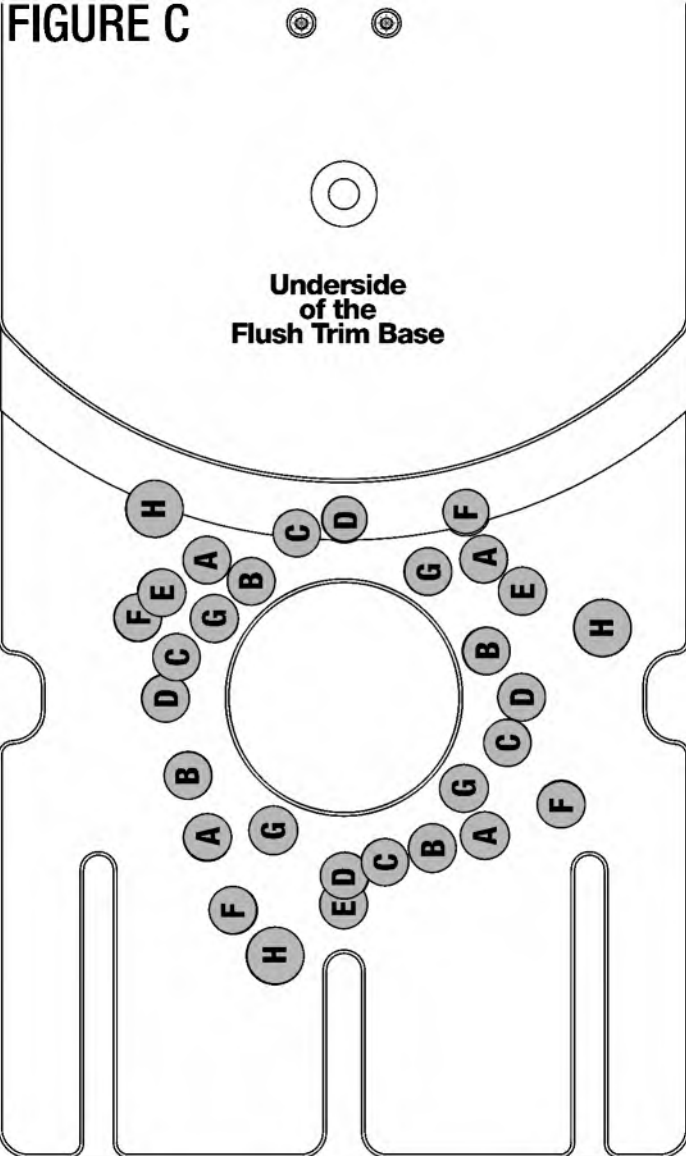


FIGURE B

FIGURE B-1





FITS TRIM ROUTERS

- A** DEWALT
DWP611, DCW600B
- B** MAKITA
RT0701C, XTR01Z
- C** PORTER CABLE
PCE6430
- D** RIGID
R2401, R860443B
- D** RYOBI
P601
- E** BOSCH
GKF125CEN
- F** BOSCH COLT
PR20EVS
- G** MILWAUKEE
2723-20

H FITS 1-1/2 HP ROUTERS

- MAKITA
1100
- BOSCH
1617-1618
- DEWALT
616 & 618
- MILWAUKEE
5616-5624
- RIGID
2930 COMBO KIT
- PORTER CABLE
690, 890, 7529, 97529,
8529
- HITACHI
M12VC



PRO TIP

Mark the underside of the holes that fit your router with a permanent marker for quick reference when re-installing your router.



Scan this QR code to see/print a full size router alignment chart. Or visit woodpeck.com/woodpeckers-flush-trim-base in the Manuals tab.

C. MOUNTING YOUR ROUTER TO THE FLUSH TRIM BASE

Your Flush Trim Base comes with four (7) Pan Head Screws for mounting trim routers and three (8) Flat Head Screws for mounting mid-size routers.

Use **FIGURE C** to determine the mounting hole locations for your router. Ensure the router's collet is centered in the opening before tightening screws.

NOTE: The Dewalt, Makita, Porter Cable, Rigid, Ryobi, Bosch, Milwaukee, Rigid and Hitachi brand names are the registered trademarks of the respective companies and are not associated with Woodpeckers, LLC.

II. OPERATION

A. SET THE DEPTH OF CUT

1. With your router motor mounted to the Flush Trim Base and your desired bit installed, lower the bit so that it is flush to the workpiece or a flat surface. Raise the bit slightly and lock the depth. **FIGURE D.**
2. If your edge banding is greater than 1/8" proud of the face of the workpiece, take multiple passes until you reach the desired trim depth.

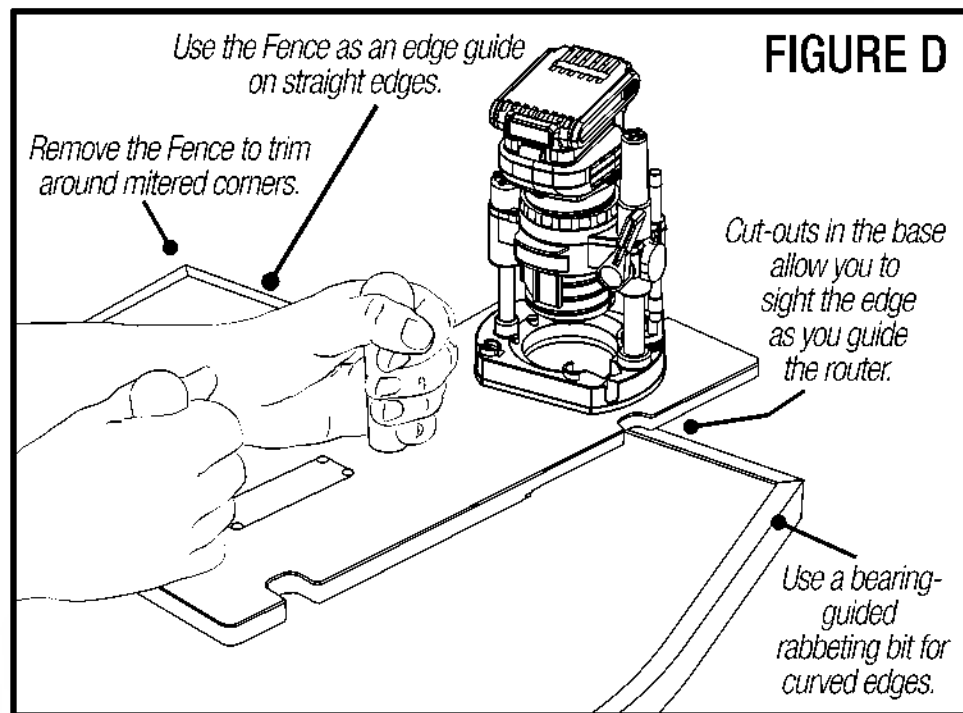


FIGURE D



A standard playing card or a piece of paper folded in half twice gives you a ~.01" spacer. The resulting trim is easily flushed during sanding.



Woodpeckers®
woodpeck.com

WE THINK YOU'LL ALSO LIKE...

DESCRIPTION	SKU
Carbide Insert 1" 3-Flute Spoilboard Bits	US210SF
Carbide Insert 1.5" 3-Flute Spoilboard Bits	US515SF
Carbide Insert Rabbeting Bits	US2RBT
Carbide Head 3-Flute Clearing Bits	US51063CPB
Corner Jig	CJ-SET-DL-24

Woodpeckers, LLC Strongsville, Ohio • woodpeck.com

© 2025 Woodpeckers, LLC



At Woodpeckers we are constantly reviewing & improving our tools. The most current version of our instruction manuals are always available to download at woodpeck.com.

(Located in the bottom section of the tool's page under the "Additional Information" or "Instructions" tabs.)



Be the first to know all the new products, OneTIME Tools & sales by subscribing to our eClub. *(Located at the top center of our webpage woodpeck.com.)*



Subscribe to our YouTube channel to stay up-to-date on all the latest tool tips & tricks.



INTERACT WITH US! Follow us on Facebook, Instagram & TikTok!



Enjoy shop tips, project ideas, tool techniques & more in our Woodworking Resource Center/Blog. *(Located at the bottom center of our webpage woodpeck.com.)*

REV020525



WARNING! This product can expose you to chemicals, including bisphenol, which is known to the State of California to cause cancer and birth defects or other reproductive harm. For more information go to www.P65Warnings.ca.gov