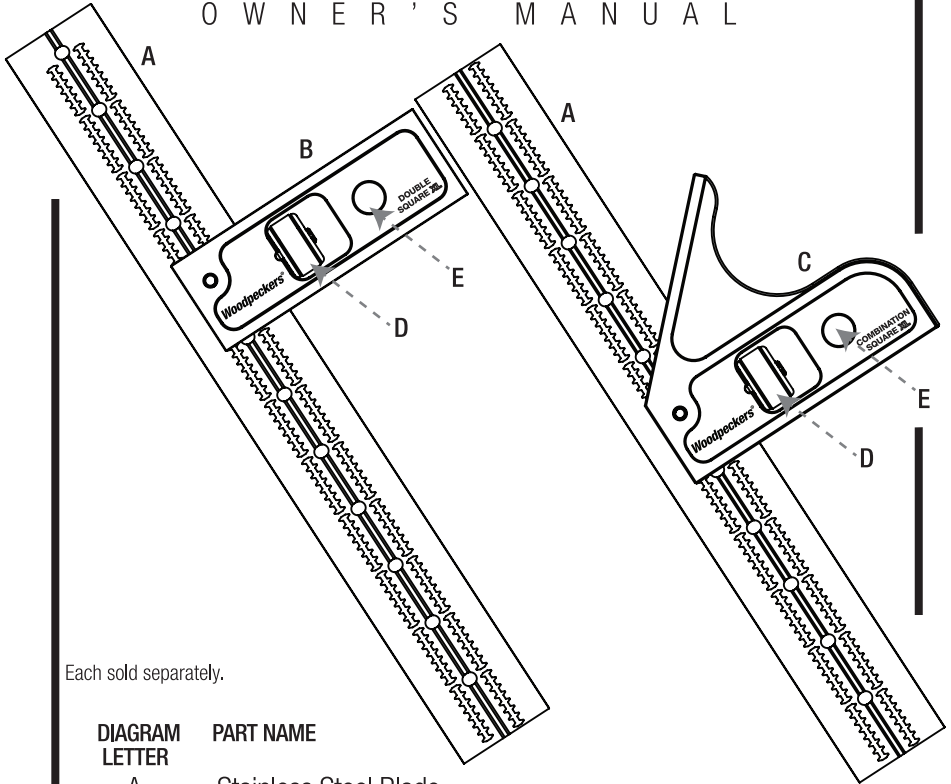


Woodpeckers®

COMBINATION SQUARE & DOUBLE SQUARE

OWNER'S MANUAL



Each sold separately.

DIAGRAM LETTER	PART NAME
A	Stainless Steel Blade
B	Double Square Body
C	Combination Square Body
D	Thumb Knob
E	Indexing Pin

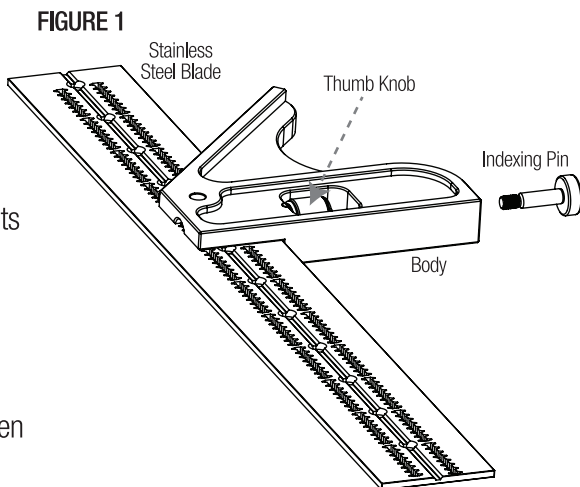
Woodpeckers Combination & Double Squares include features not found in other adjustable squares. The heads can be indexed at any full-inch mark along the blade. This feature improves the accuracy and convenience of the scribing notches precision-cut into the stainless steel blade.

If you think you're missing anything, email us at mailroom@woodpeck.com. You can also call us at 800-752-0725 from 9:00 a.m. to 5:00 p.m. EST Monday - Friday.

NOTE: Standard Combination & Double Squares- the Indexing Pin is located in the end of the body. The Combination XL & Double XL Squares the Indexing Pin is located on the face of the Body (as shown on the cover).

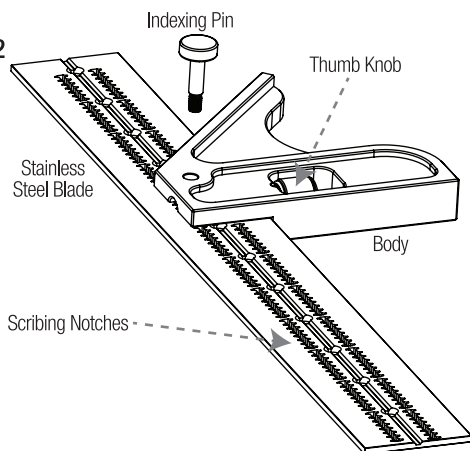
INDEXING THE BODY TO THE BLADE:

1. Loosen the Thumb Knob and align the Body to an inch mark on the Stainless Steel Blade (A).
2. Unscrew the Indexing Pin from its storage port in the Body. **FIGURE 1.**
3. Insert the Indexing Pin through the Body and the Blade. **FIGURE 2.**
4. Tighten the Indexing Pin first, then tighten the Thumb Knob.



5. The scribing notches in the Blade are now indexed to the Body of the square. In choosing a scribing notch, be sure to adjust your measurement to compensate for the inch mark you're locked into.

FIGURE 2



6. When changing the Body position, loosen the Thumb Knob before loosening the Indexing Pin.
7. When not using the Indexing Pin, be sure to return it to the storage port in the Body.

Woodpeckers®

PRECISION WOODWORKING TOOLS

Woodpeckers, LLC Strongsville, Ohio · woodpeck.com

© 2020 Woodpeckers, LLC



WARNING! This product can expose you to chemicals, including chromium, which is known to the State of California to cause cancer and birth defects or other reproductive harm. For more information go to www.P65Warnings.ca.gov