

Woodpeckers®

EZ EDGE CORNER PLANE

O W N E R ' S M A N U A L



Scan the QR code above to watch the video or visit woodpeck.com under the video tab towards the bottom of the product page.

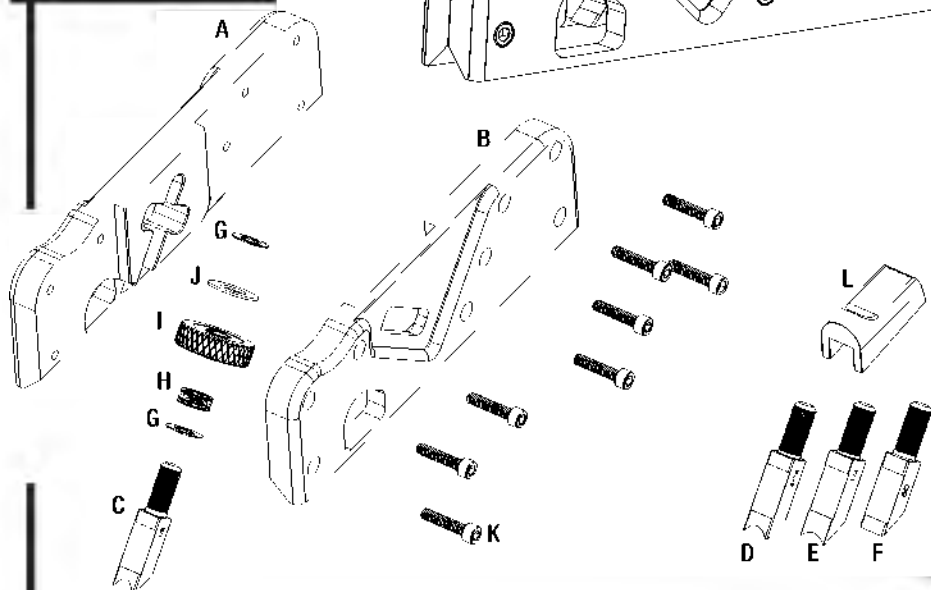
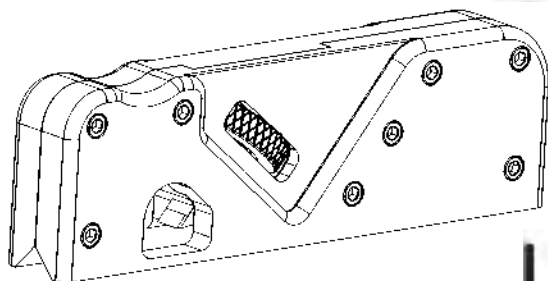


DIAGRAM LETTER (QTY) PART NAME

- A (1) Bottom Body
- B (1) Top Body
- C (1) 1/8" Radius Cutter
- D (1) 3/16" Radius Cutter
- E (1) 1/4" Radius Cutter
- F (1) Chamfer Cutter

DIAGRAM LETTER (QTY) PART NAME

- G (2) Stainless Steel Shim
- H (1) Spring
- I (1) Thumbwheel
- J (1) Bronze Thrust Washer
- K (8) 8-32 x 3/4" Screws
- L (1) Installation Tool

If you think you're missing anything, email us at mailroom@woodpeck.com. You can also call us at 800-752-0725 from 9:00 a.m. to 5:00 p.m. EST Monday - Friday.

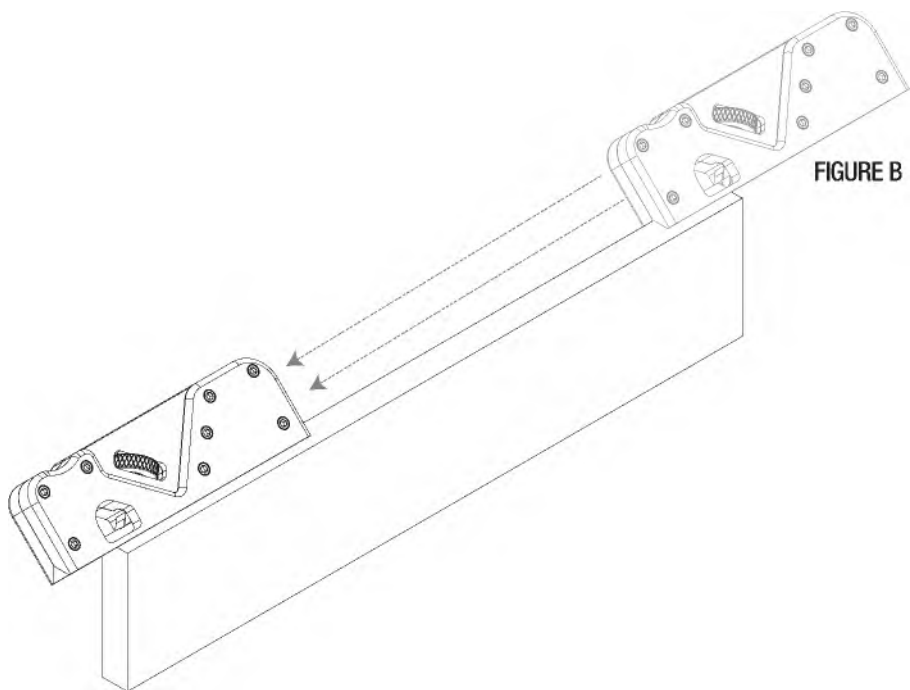
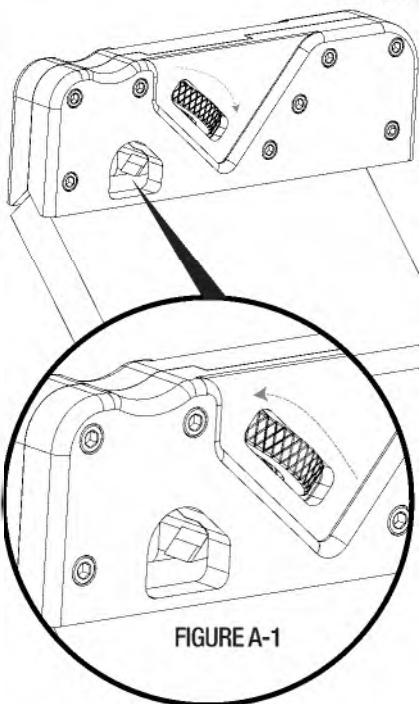
The EZ Edge Corner Plane tool line provides a simple but effective way to ease the sharp edges of milled lumber.

USING THE EZ EDGE TO EASE THE EDGE OF A WORKPIECE:

1. Retract the Cutter by turning the Thumbwheel counter clockwise, then locate the EZ Edge on the corner of a board. **FIGURE A.**
2. Advance the Cutter by rotating the Thumbwheel clockwise (when viewed from the top) until the Cutter is in contact with the wood. **FIGURE A-1.**
3. Give the Thumbwheel one clockwise push, about 1/6th of a full revolution, and slide the EZ Edge along the edge of the wood, making sure the EZ Edge Body is in contact with both faces of the board. **FIGURE B.**
4. Repeat the previous step until the desired edge is obtained.

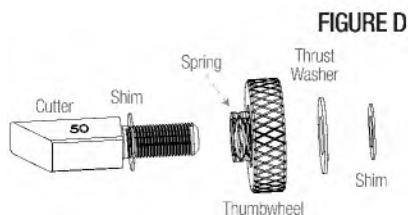
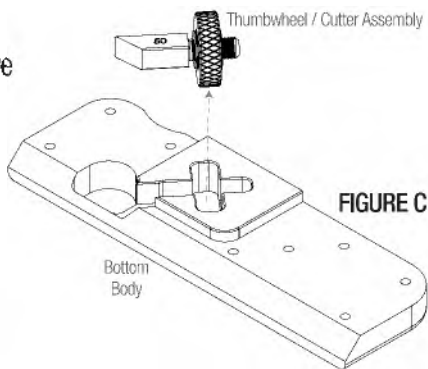
NOTE: For best results, ease all the edges needed before advancing the Cutter.

FIGURE A



REMOVING THE CUTTER:

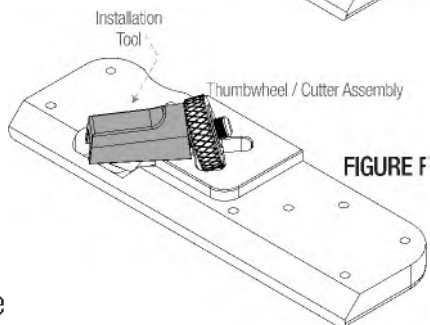
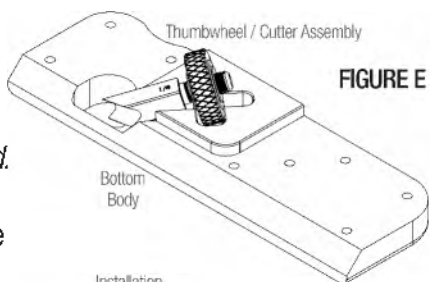
1. Lay the EZ-Edge flat on a surface. Remove the eight 8-32 x 3/4" Screws and lift the Top Body off of the EZ-Edge.
3. Grip the Thumbwheel and pull the Cutter Assembly from the Body. **FIGURE C.**
4. Remove the Stainless-Steel Shim and Bronze Thrust Washer from the top of the Cutter and put them in a safe place. **FIGURE D.**
5. Unscrew the Thumbwheel clockwise from the Cutter. **NOTE:** *The threads are left-handed.*
6. The Spring should remain popped into the Thumbwheel. Remove the Stainless-Steel Shim. **NOTE:** *The two Stainless-Steel Shims are identical.*



INSTALLING A NEW CUTTER:

Reassemble the Cutter Assembly in the reverse order as it was disassembled. **FIGURE D.**

1. Place one of the Stainless Steel Shims on the threaded end of the Cutter.
2. Install the Thumbwheel and Spring onto the Cutter. **NOTE:** *The threads are left-handed.*
3. Place the Bronze Thrust Washer and second Stainless Steel Shim on the end of the Cutter.
4. Set the Cutter Assembly in the slot of the Bottom Body at a slight angle. **FIGURE E.**
5. Place the Installation Tool on the Spring side of the Cutter Assembly and push to compress the Spring. **FIGURE F.**
6. With the Spring compressed, apply slight pressure to the side opposite the Installation Tool and drop the assembly into the slot of the Bottom Body.
7. Install the Top Body.
8. Install the eight 8-32 x 3/4" Screws into the Top Body to close the EZ-Edge.



SHARPENING AN EZ EDGE CUTTER:

The EZ Edge tools come with a hardened tool steel Cutter professionally ground to a sharp edge to provide long lasting performance. In the event that you need to sharpen the Cutter, do the following.

1. Remove the Cutter from the Body (see *REMOVING THE CUTTER* on page 3).
2. Hone the back of the Cutter flat on your preferred honing stones.
3. Progress through the different grits.
4. Remove any burrs on the bevel side taking care not to alter the profile.
5. Reinstall the Cutter (see *INSTALLING A NEW CUTTER* on page 3).

Woodpeckers®

Woodpeckers, LLC Strongsville, Ohio

woodpeck.com

© 2021 Woodpeckers, LLC



woodpeck.com

At Woodpeckers we are constantly reviewing & improving our tools. The most current version of our instruction manuals are always available to download/print at woodpeck.com via the tool's page.

(Located in the bottom section of the tool page under the "Additional Information" or "Instructions" tabs.)



Be the first to know all the new products & sales by subscribing to our eClub.

(Located at the top center of our webpage woodpeck.com.)



YouTube

Subscribe to our YouTube channel to stay up-to-date on all the latest tool tips & tricks.



Interact with us! Follow us on Facebook & Instagram!



WARNING! This product can expose you to chemicals, including chromium, which is known to the State of California to cause cancer and birth defects or other reproductive harm. For more information go to www.P65Warnings.ca.gov