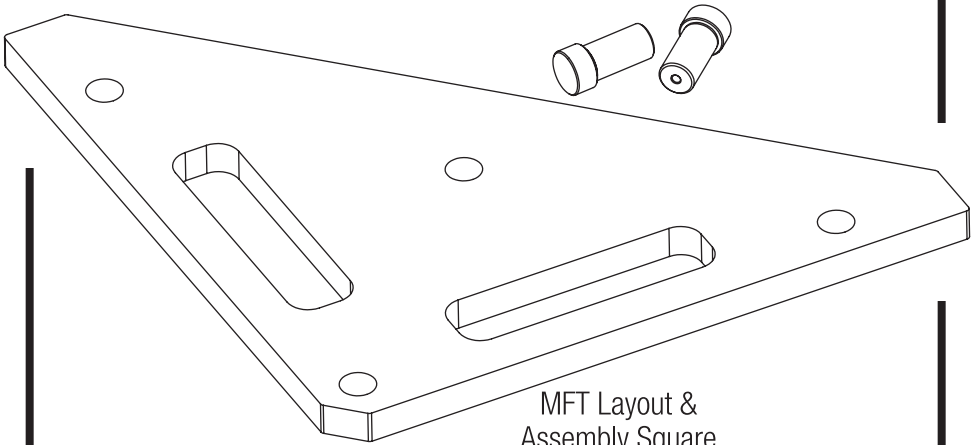


Woodpeckers[®]

MFT LAYOUT & ASSEMBLY SQUARE

O W N E R ' S M A N U A L

MFT Positioning Dogs (2)



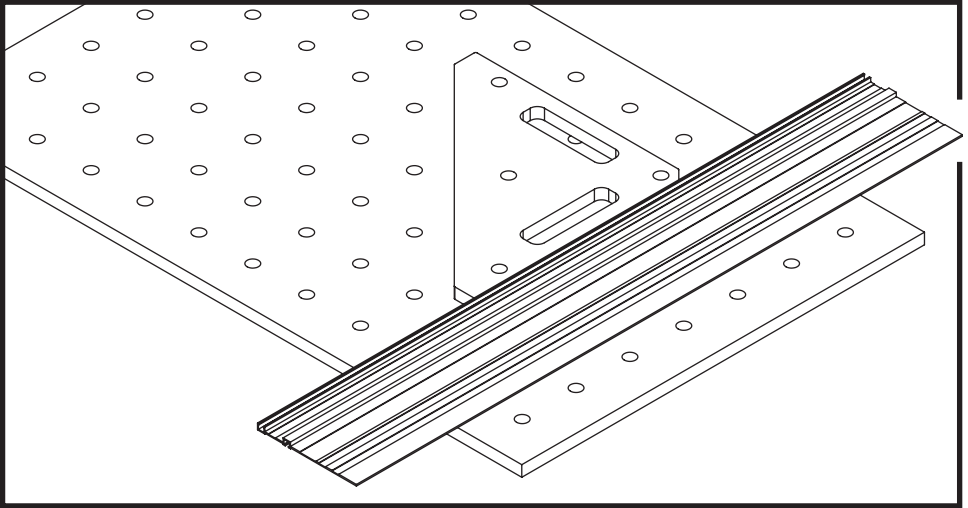
MFT Layout &
Assembly Square

The primary function of the **Woodpeckers MFT Layout & Assembly Square** is to align the miter fence and the guide rail on the Festool MFT table. However, it is also useful for setting 45° & 90° angles on your table and miter saw, or larger bandsaw, as well as clamping large workpieces.

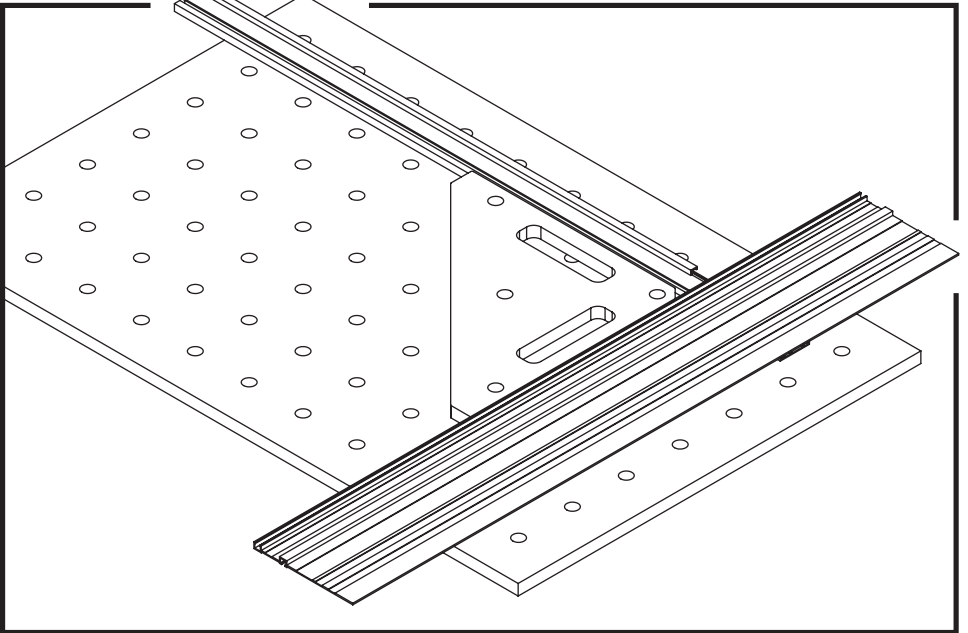
If you think you're missing anything, email us at mailroom@woodpeck.com.
You can also call us at 800-752-0725 from 9:00 a.m. to 5:00 p.m. EST Monday - Friday.

USING THE MFT LAYOUT & ASSEMBLY SQUARE

1. Set the guide rail into position. Place the MFT Layout & Assembly Square against the guide rail.

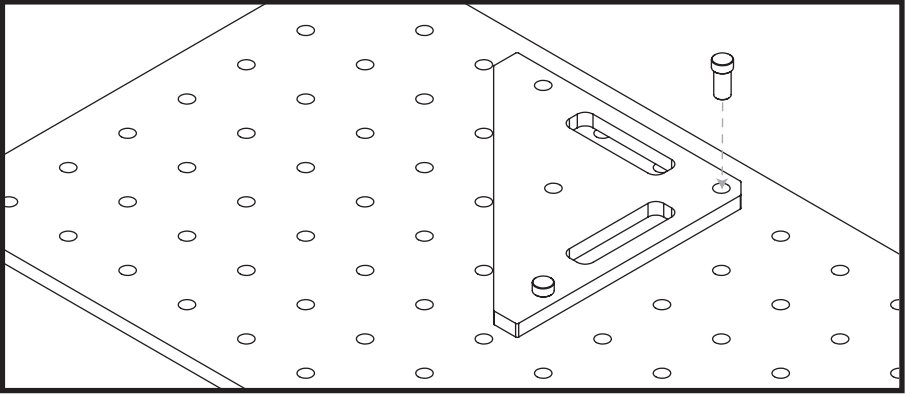


2. Align the fence to the MFT Layout & Assembly Square and lock into place.



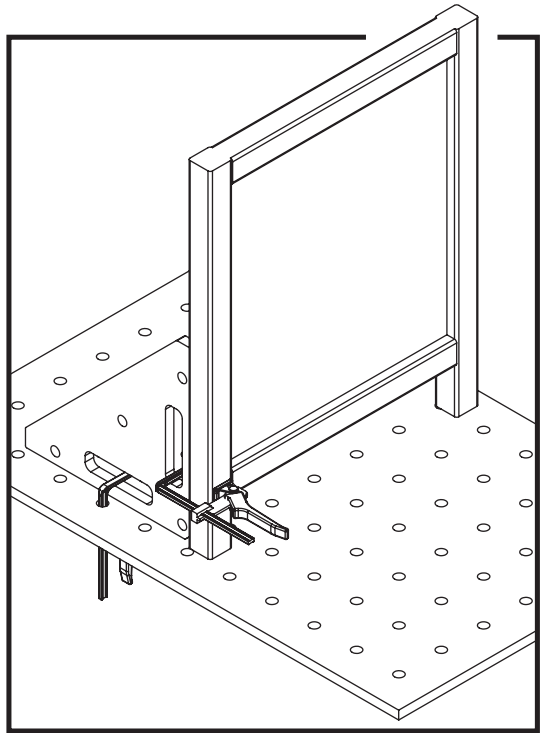
USING THE MFT LAYOUT & ASSEMBLY DOGS

1. Place the MFT Layout & Assembly Square on the MFT table. Line up the holes in the square with the holes in the table and insert the MFT Positioning Dogs.



USING THE MFT LAYOUT & ASSEMBLY SQUARE FOR CLAMPING

Woodpeckers MFT Layout & Assembly Square is ideal for clamping large workpieces to your workbench, assembly table, or MFT table. The large 1-1/2" x 6" slots accommodate both the MFT style clamps as well as most F-body style clamps. Since the MFT Layout & Assembly Square will stand without support on a level surface, it leaves both hands available to add the clamps.



REV082819

Woodpeckers[®]

PRECISION WOODWORKING TOOLS

Woodpeckers, LLC Strongsville, Ohio · ***woodpeck.com***

© 2019 Woodpeckers, LLC



WARNING! This product can expose you to chemicals, including chromium, which is known to the State of California to cause cancer and birth defects or other reproductive harm. For more information go to www.P65Warnings.ca.gov