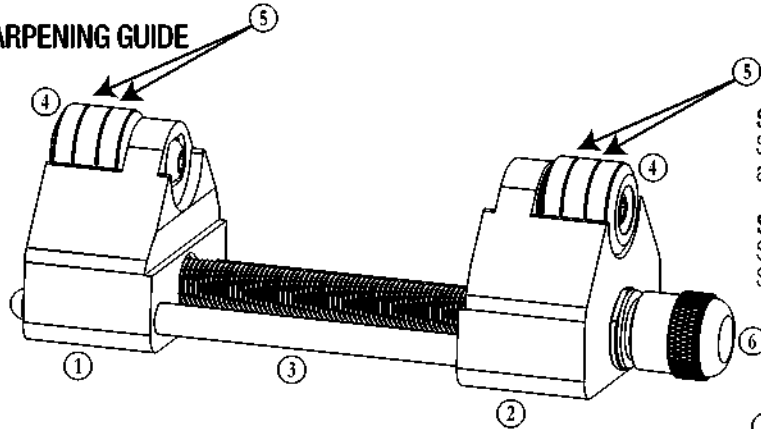


Woodpeckers®

SHARPENING SYSTEM

OWNER'S MANUAL

A. SHARPENING GUIDE



Sharpening System (SHG-SYS) includes Sharpening Guide, Sharpening Angle Fixture and Sharpening Angle Gauge.

Sharpening Guide (SHG) includes the Sharpening Guide and the Sharpening Angle Gauge.

B. SHARPENING ANGLE FIXTURE

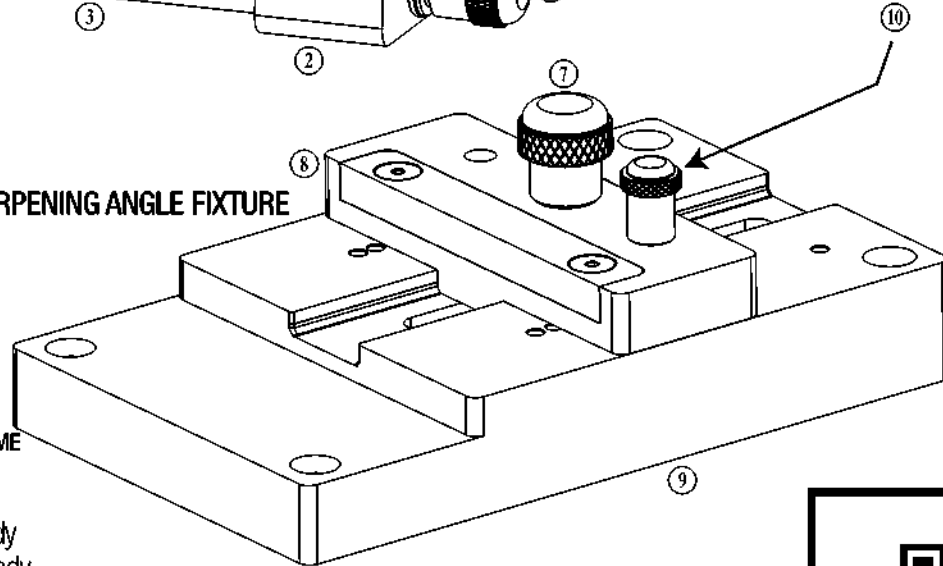


DIAGRAM (QTY) PART NAME
NUMBER

A. SHARPENING GUIDE

- ① (1) Left Body
- ② (1) Right Body
- ③ (1) Guide Post
- ④ (2) Wheels, Axle, #10-32 x 3/8"
Button Head Cap Screw &
Felt Washer Assembly
- ⑤ (4) Tires
- ⑥ (1) Shaft Lock Knob

B. SHARPENING ANGLE FIXTURE

- ⑦ (1) Fence Lock Knob
- ⑧ (1) Fence
- ⑨ (1) Sharpening Angle Fixture Base
- ⑩ (1) Index Pin

C. SHARPENING ANGLE GAUGE

C. SHARPENING ANGLE GAUGE

Woodpeckers® SHARPENING ANGLE GAUGE	
BENCH CHISELS	
15° Delicate Paring	15°
20° Paring	
25° General	
30° Mallet	
35° Heavy Mallet	20°
PLANE IRONS	
25° Bevel Down	25°
25° Bevel Up End Grain	
30° Bevel Up Smoothing	30°
35° Bevel Up Smoothing	
40° Bevel Up Wild Grain	35°
45° Bevel Up Wild Grain	
MORTISE CHISELS	
30° Mallet	40°
35° Heavy Mallet	
	45°

MADE IN USA



Scan the QR code above to watch the video or visit woodpeck.com under the video tab towards the bottom of the product page.

HARDWARE BAG

- (4) #10 x 1/4" Wood Screws
- (1) 1/8" Allen Wrench
- (8) Replacement Tires .53 ID x .694 OD x .082 thick

If you think you're missing anything, email us at mailroom@woodpeck.com.
You can also call us at 800 752 0725 from 9:00 a.m. to 4:00 p.m. EST Monday - Friday.

WHEEL POSITION ADJUSTMENT

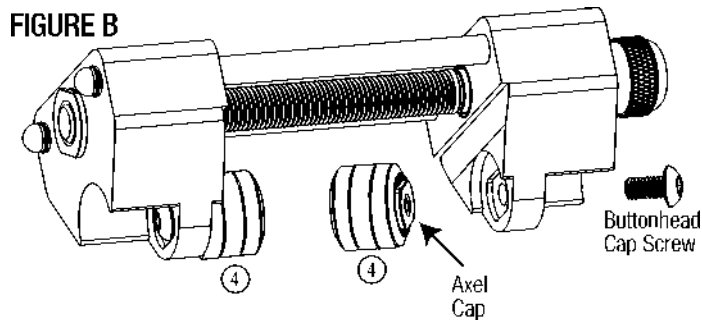
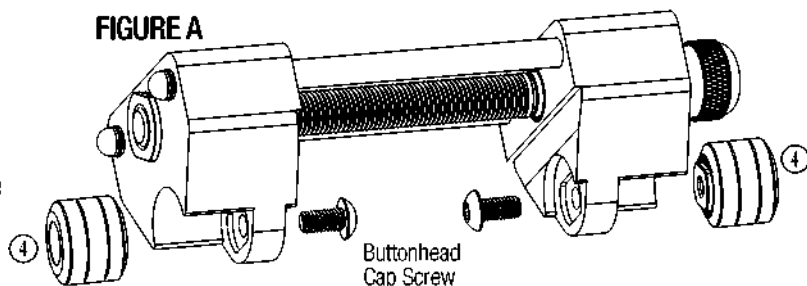
The ④ Wheels on your Woodpeckers Sharpening Guide should be positioned on the outside of the bodies for tools from 3/16" to 1-1/8" wide. **Figure A.**

For tools over 1-1/8" wide, move the Wheels to the inside of the bodies. **Figure B.**

TO MOVE THE WHEELS

NOTE: that there are Buttonhead Cap Screws on both sides of the ④ Wheels. To change the Wheels, it is only necessary to loosen the Buttonhead Cap Screw that is against the red anodized body. *The Buttonhead Cap Screw on the Wheel side need not be loosened to change the Wheel positions.*

1. Loosen the Buttonhead Cap Screws holding the Wheels to the body using the provided Allen Wrench.
2. Flip the Wheels around to the new position.
3. To replace the Wheel rotate the Wheels until the oblong Axle Cap drops into place.
4. Secure with the Buttonhead Cap Screws.

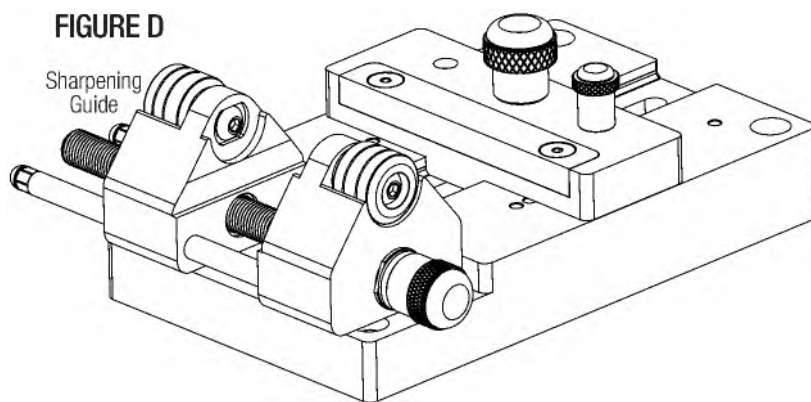
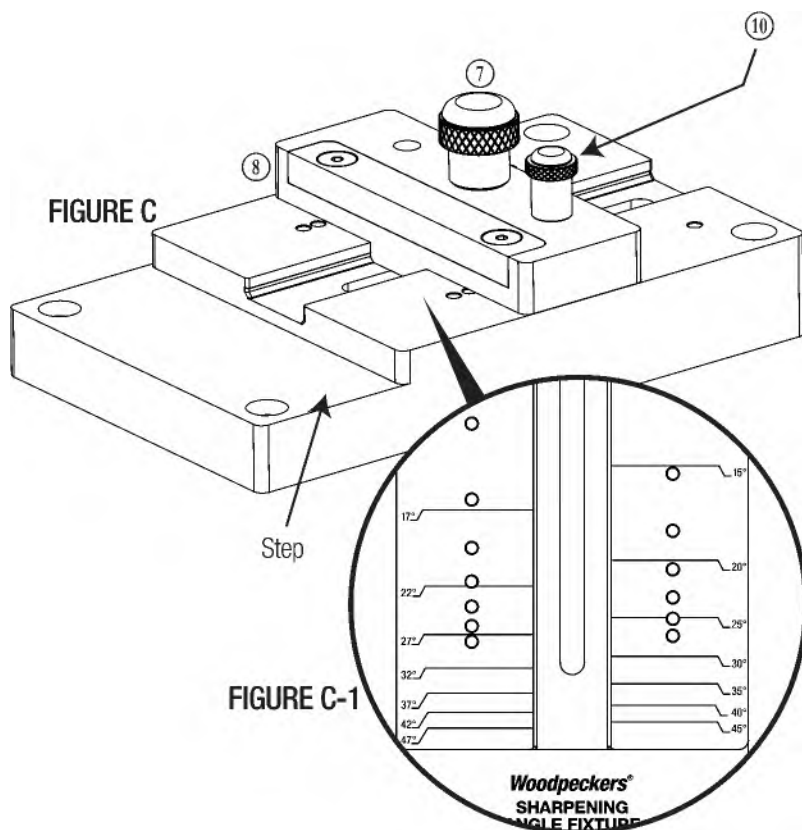


SETTING THE ANGLE

The angle sharpened on your tool is determined by how much of the tool extends beyond the front edge of the Sharpening Guide. The more the tool extends beyond the Sharpening Guide, the longer the bevel (smaller angle). The complete Sharpening Guide System includes the Sharpening Angle Fixture.

TO USE THE SHARPENING ANGLE FIXTURE

1. Move the ⑧ Fence of the Sharpening Angle Fixture to the desired angle setting. **Figure C-1.**
2. Install the ⑩ Index Pin. **Figure C.**
3. Secure the ⑦ Fence Locking Knob.
4. Place the Sharpening Guide upside down on the Step and against the shoulder in the Sharpening Angle Fixture. **Figure D.**



5. Put your tool, bevel side up, on the two shoulders in the bodies of the Sharpening Guide. **Figure E.**

6. Slide your tool forward until it is against the ⑧ Fence of the Sharpening Angel Fixture. **Figure F.**

7. Snug up the ⑥ Shaft Lock Knob.

8. Confirm that the tool is solidly against the shoulders in the Sharpening Guide bodies and all the way to the Fence of the Sharpening Angle Fixture.

9. Tighten the Shaft Lock Knob securely.

NOTE: If you did not buy the Sharpening Angle Fixture, the chart shows the correct distances for all the angles. **Figure G.** You can make a simple fixed stop block for the angles you use based on the measurements in the chart.

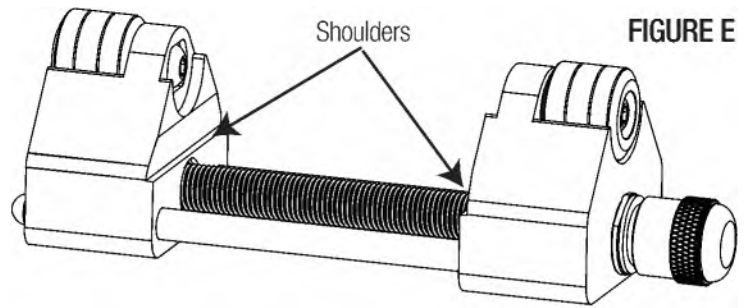


FIGURE E

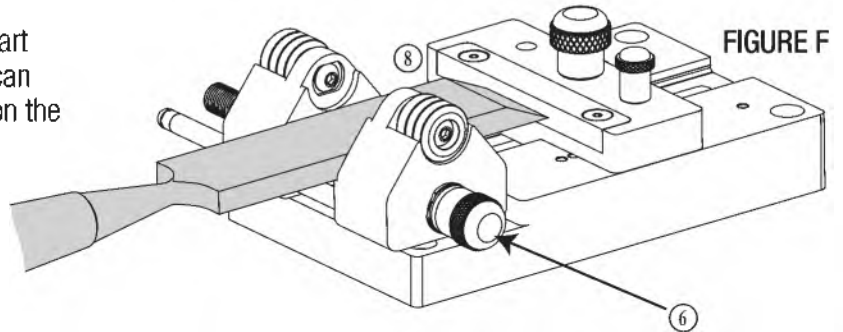


FIGURE F

SHARPENING

Once your tool is properly installed in the Sharpening Guide, turn it over with the Wheels facing down and place it on your bench stone. Lubricate the stone per the manufacturer's recommendations. Roll the Sharpening Guide forward and backward on the bench stone, shifting position occasionally to prevent uneven wear. **Figure H.**

FOR BEST RESULTS, FOLLOW THESE TIPS:

1. Use a progression of grits from coarsest to finest for quickest sharpening and optimum results. Failing to use a stone coarse enough to remove a damaged or rounded edge will waste time and energy. Skipping grits will leave coarse scratches in the edge which will weaken it.
2. Keep your stones flat. Practice using the entire stone surface from side-to-side and end-to-end to keep wear even. Periodically check your stones and flatten them with a diamond stone should you find them out of flat.
3. Keep pressure even on the tool and the Wheels of the Sharpening Guide.
4. To create a micro-bevel, sharpen at the primary bevel through all but the finest grit stones. On the finest stone, re-adjust the angle to the 2° micro-bevel complement and make a few final strokes.
5. Carefully remove the wire edge from the back of the tool by honing the back perfectly flat on the finest stone.

FIGURE G

ANGLES	LEDGE TO CHISEL	
	CLOSEST FRACTION	DECIMAL
15°	3-3/32"	3.0983"
17°	2-39/64"	2.6138"
20°	2-1/16"	2.0663"
22°	1-25/32"	1.7829"
25°	1-7/16"	1.4409"
27°	1-1/4"	1.2540"
30°	1-1/64"	1.0188"
32°	57/64"	0.8855"
35°	23/32"	0.7126"
37°	39/64"	0.6121"
40°	31/64"	0.4789"
42°	25/64"	0.3998"
45°	19/64"	0.2933"
47°	15/64"	0.2290"

Be sure to watch our helpful videos are on our website:
woodpeck.com/sharpening-system.html

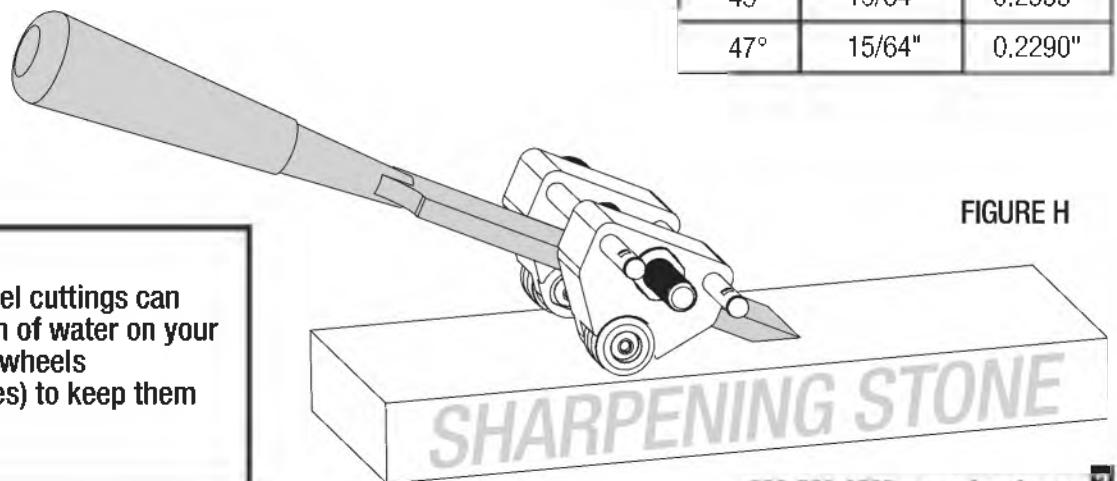


FIGURE H

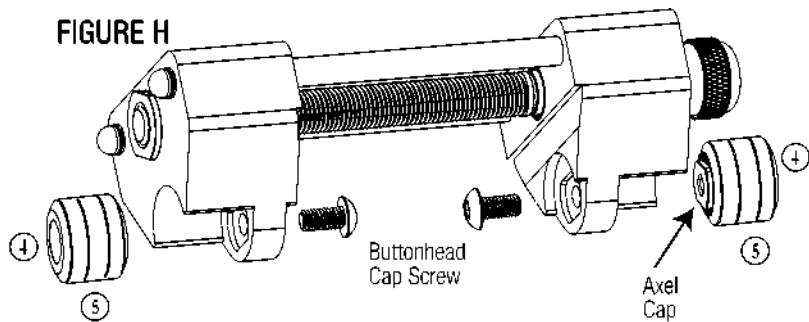
CAUTION!

Water, abrasive residue and steel cuttings can damage the wheels. Keep a pan of water on your sharpening table and dunk the wheels periodically (every 10-20 strokes) to keep them clean and free-rolling.

REPLACING TIRES

The O-Ring (5) Tires on the bronze (4) Wheels have been added to improve the rolling characteristics of the Wheels. The tough Buna-N o-rings will last for hundreds of sharpenings. Two extra sets of Tires have been included with the Sharpening Guide. Should you need additional tires after that, you can buy o-rings at most hardware stores. The specification you need is .082" thickness, .53" I.D. and .694" O.D.

1. Loosen the Buttonhead Cap Screws holding the Wheels to the body using the provided Allen Wrench. **Figure H.**
2. Use a razor knife to cut the Tires from the Wheels and remove.
3. Start the replacement Tire in groove at one point then working around the Wheel in both directions with your thumbs, roll it into the groove.
4. To replace the Wheel rotate the Wheels until the oblong Axle Cap drops into place.
5. Secure with the Buttonhead Cap Screws.



Woodpeckers®

Woodpeckers, LLC Strongsville, Ohio

woodpeck.com

© 2023 Woodpeckers, LLC



At Woodpeckers we are constantly reviewing & improving our tools. The most current version of our instruction manuals are always available to download at woodpeck.com. (Located in the bottom section of the tool's page under the "Additional Information" or "Instructions" tabs.)



Be the first to know all the new products, **OneTIME Tools** & sales by subscribing to our **eClub**. (Located at the top center of our webpage woodpeck.com.)



Subscribe to our YouTube channel to stay up-to-date on all the latest tool tips & tricks.



INTERACT WITH US! Follow us on Facebook, Instagram & TikTok!



Enjoy shop tips, project ideas, tool techniques & more in our Woodworking Resource Center/Blog. (Located at the bottom center of our webpage woodpeck.com.)



WARNING!
This product can expose you to chemicals, including chromium, which is known to the State of California to cause cancer and birth defects or other reproductive harm. For more information go to www.P65Warnings.ca.gov