

Woodpeckers®

MODULAR BAR GAUGE SYSTEM

OWNER'S MANUAL

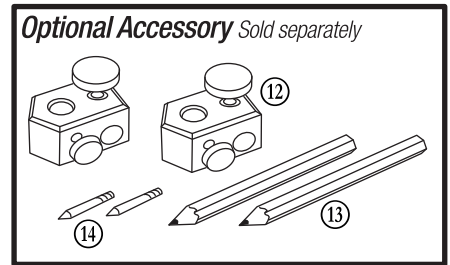
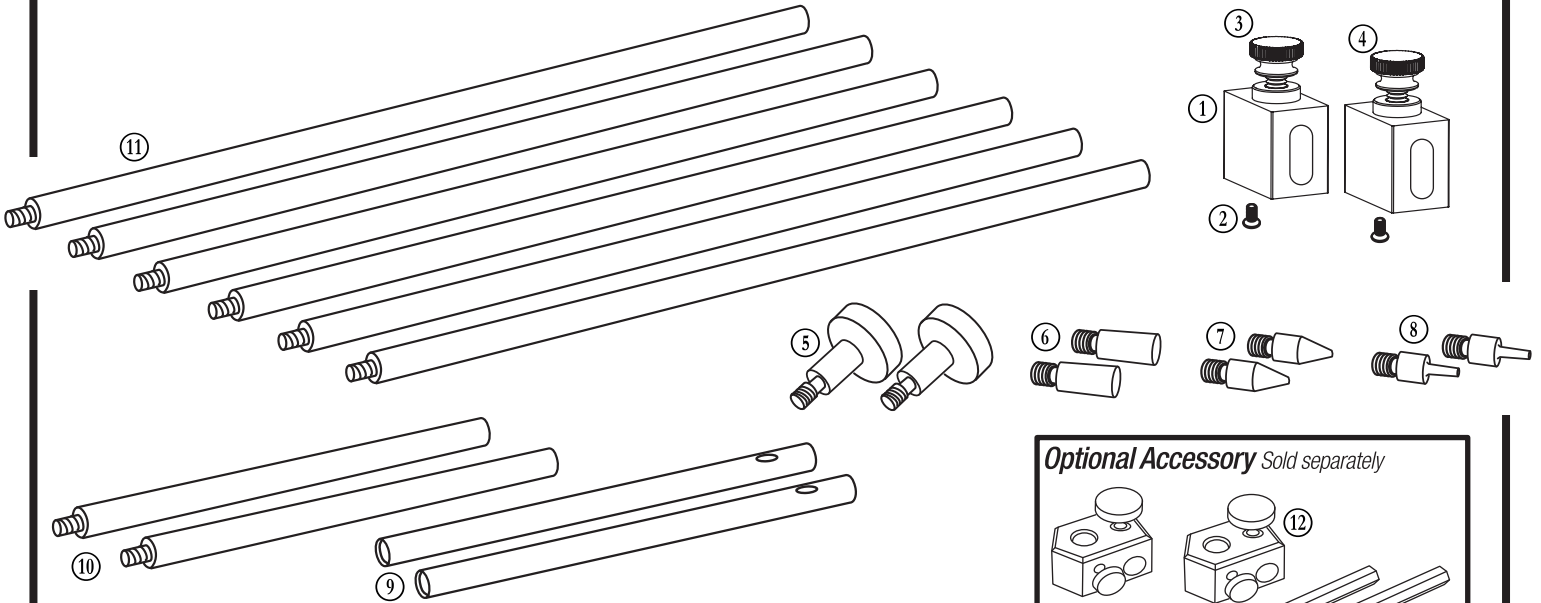


DIAGRAM NUMBER	PART NAME	DELUXE SET	SYSTEM KIT	TRAMMEL HEAD SET
①	Bar Gauge Body	2	2	--
②	Set Screw	2	2	--
③	Knob 0.9375"	1	1	--
④	Knob 0.875"	1	1	--
⑤	Mushroom Tip	2	2	--
⑥	Blunt Tip	2	2	--
⑦	Arrow Tip	2	2	--
⑧	Pin Tip	2	2	--
⑨	End Bar	2	2	--
⑩	Extension Bar, 6"	2	2	--
⑪	Extension Bar, 12"	6	6	--
Optional Accessory	⑫	Trammel Head	--	2
	⑬	Pencil	--	2
	⑭	Scribe	--	2

Your Modular Bar Gauge System can take dimensions as small as 8-1/4" using only the two End Bars. Using all six 12" Extension Bars and two 6" Extension Bars you'll reach the maximum gauging length of 96-5/8". Combinations of 12" and 6" Extension Bars added to the End Bars will cover all dimensions in between.

The Modular Bar Gauge System can be assembled two different ways depending on length of the Bars in use. When taking the shortest possible measurements using the two End Bars, only one Bar Gauge Body is used. When using End Bars with Extension Bars, two Bar Gauge Bodies are used. Extension Bars are added or removed by simply threading or un-threading the modular pieces where they join.



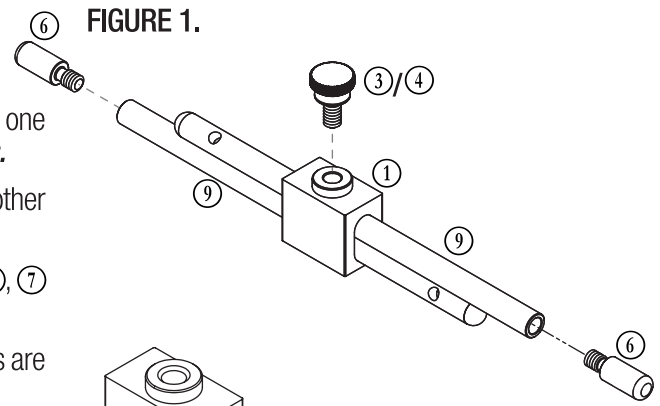
Scan the QR code above to watch the video or visit woodpeck.com under the video tab towards the bottom of the product page.

I. ASSEMBLING THE MODULAR BAR GAUGE

A. SHORTEST ASSEMBLY - USING TWO END BARS

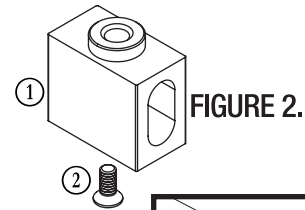
This first step applies only to the shortest assembly using two End Bars and only one Bar Gauge Body. **Skip to STEP I-B if you're using End Bar and Extension Bars.**

1. Slide both End Bars ⑨ onto the Bar Gauge Body with End Bars reversed. In other words, one round and one threaded end should be paired up. **FIGURE 1.**
2. Thread in either Knob ③ / ④ and tighten down. Screw the desired Tip ⑤, ⑥, ⑦ or ⑧ into the threaded ends of the End Bars.
3. To use this assembly, loosen the Knob and slide apart the End Bars until the Tips are in contact with the reference points you're gauging.



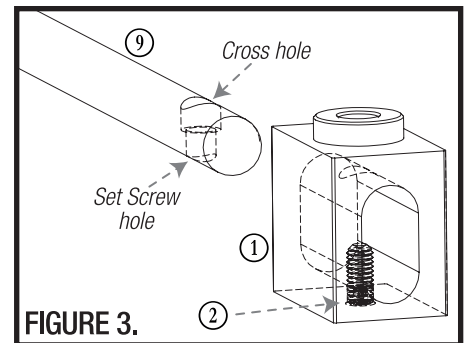
B. FOR BARS USING BAR END & EXTENSION

1. For Bars using Bar End and Extension Bars you need to use (2) Bar Gauge Bodies ①.
2. Notice that the bottom of each Bar Gauge Body has a tapped hole. Install one of the Set Screws ② completely into only one Bar Gauge Body. **FIGURE 2.**

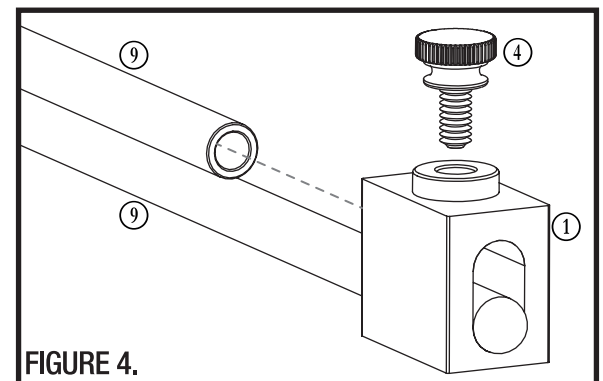


NOTE: You'll only need one (1) Set Screw. *An extra replacement is included.*

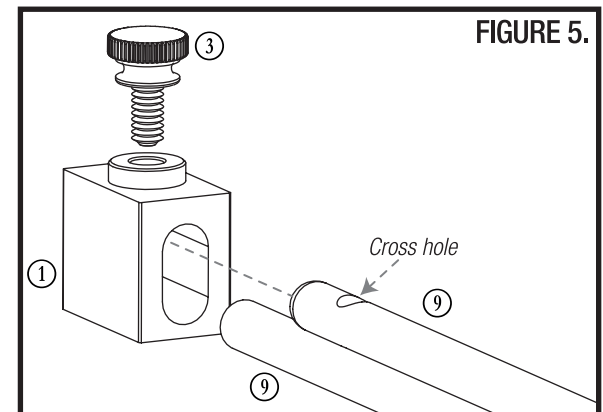
3. Look at the cross hole toward the round end of each End Bar ⑨. Notice that one end of this hole is smaller in diameter than the other. The smaller hole is dropped over the Set Screw ② in the Bar Gauge Body. **FIGURE 3.**
4. With the second End Bar over the first, slide the threaded end through the Bar Gauge Body. **FIGURE 4.**



5. **NOTE:** The two Knobs ③ and ④ are different. (One is longer than the other.) Install the shorter Knob ④ at this time. **FIGURE 4.**

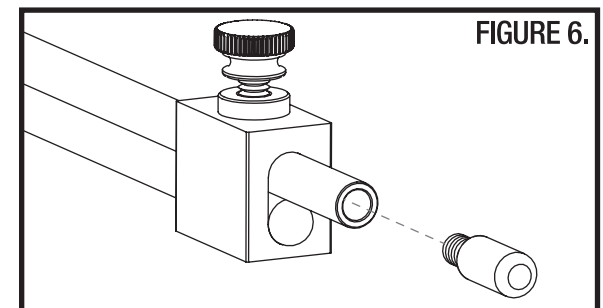


6. Slide the second Bar Gauge Body over the other end of the Bars. This time orient the large diameter cross hole in the upper Bar with the hole in the top of the Bar Gauge Body. **FIGURE 5.**



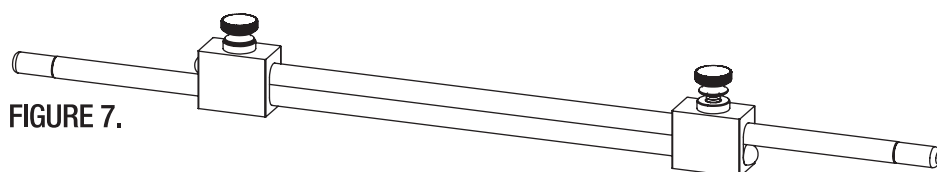
7. When it's aligned, install the Knob ③ into the Bar Gauge Body. The tip of the Knob needs to fit in the hole in the Bar. Tighten the Knob all the way down then back it off a half a turn.

8. Screw in the Tip of choice into each end of the Bars. (Four different Tip shapes are included. ⑤ ⑥ ⑦ ⑧) **FIGURE 6.**



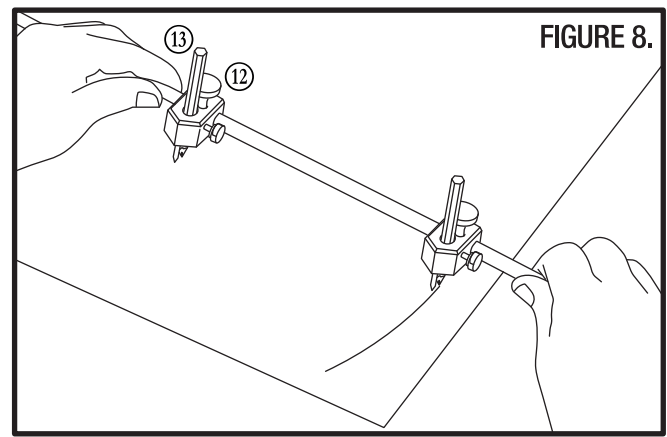
II. ADJUSTING THE MODULAR BAR GAUGE

Using your Modular Bar Gauge is fairly simple. To extend or shorten the Modular Bar Gauge length, slightly loosen both Knobs and then slide the Bars in the desired direction. If assembled properly, you'll be able to adjust the overall length of either Bar while holding the Knobs. Each Bar should remain engaged with their respective Bar Gauge Body. **FIGURE 7.**



III. TRAMMEL HEAD ACCESSORY

Make a trammel point compass of any length with the optional Trammel Head Accessory. Assemble as many Extension Bars as needed for the radius of the circle you want to draw. Install a Scribe (14) into one Trammel Head (12) to act as the pivot point and clamp it onto the assembled Extension Bars. You can use either a Pencil (13) or a Scribe (14) in the swinging end of the compass depending on the material you're marking. **FIGURE 8.**



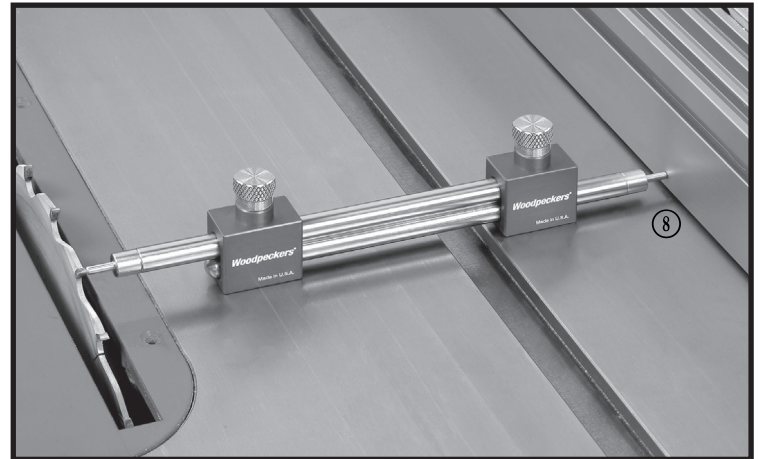
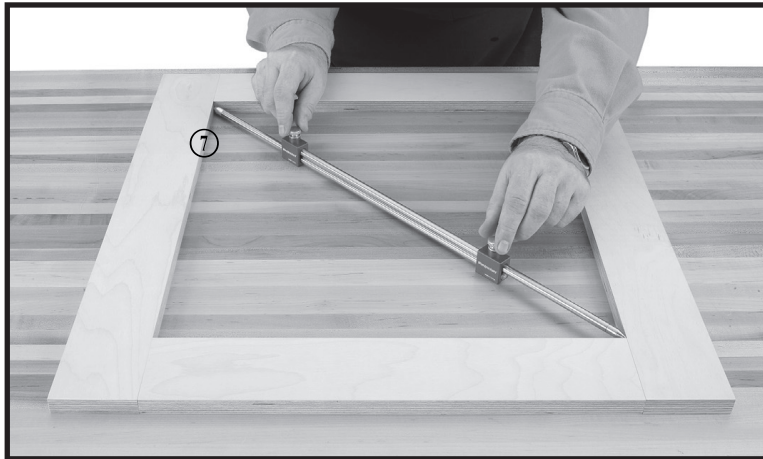
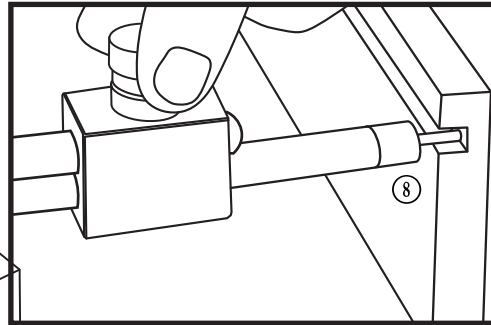
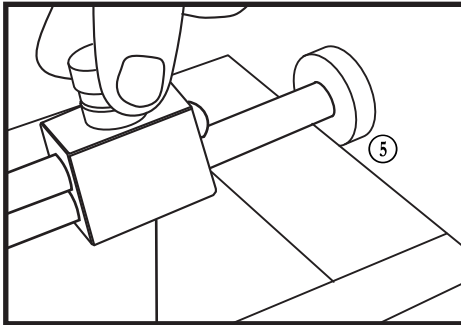
IV. INTERCHANGEABLE TIPS

The Blunt Tips (6) are perfect for gauging the distance between cabinet parts for shelves, door and drawer openings and more. When making built-ins, they are indispensable when taking measurements between walls...and dozens more uses.

Attach Arrow Tips (7) to check if a cabinet, frame or drawer box is square by comparing the distance between diagonal corners.

Use the Pin Tips (8) to measure the distance between cabinet parts like the grooves in drawer sides to find the exact measurement for drawer bottoms or other cabinet parts that nest in dadoes, rabbets or grooves.

Mushroom Tips (5) add new dimension to the versatility of your new Modular Bar Gauge. You can use the flanged ends to take an outside dimension. Because the 3/4" mushroom "stem" is the precise length of the other style tips, just switch tips and you can transfer the outside dimension to set up your table or miter saw to replicate an inside dimension.



After adjusting the Modular Bar Gauge to a precise fit, transfer the setting to your table saw or miter saw directly with the Modular Bar Gauge. No need to measure the gauge and try to set the saw to a specific measurement, just use the Modular Bar Gauge itself. Set your fence so that the teeth of your saw blade just barely touch the tips on the Modular Bar Gauge. You'll get perfectly fitting components with no math involved.

Woodpeckers®

Woodpeckers, LLC Strongsville, Ohio

woodpeck.com

© 2022 Woodpeckers, LLC



woodpeck.com

At Woodpeckers we are constantly reviewing & improving our tools. The most current version of our instruction manuals are always available to download/print at woodpeck.com via the tool's page.

(Located in the bottom section of the tool page under the "Additional Information" or "Instructions" tabs.)



**Woodpeckers®
eCLUB**

Be the first to know all the new products & sales by subscribing to our eClub.

(Located at the top center of our webpage woodpeck.com.)



YouTube

Subscribe to our YouTube channel to stay up-to-date on all the latest tool tips & tricks.



Interact with us! Follow us on Facebook & Instagram!



WARNING!

This product can expose you to chemicals, including chromium, which is known to the State of California to cause cancer and birth defects or other reproductive harm.

For more information go to www.P65Warnings.ca.gov