

# Woodpeckers<sup>®</sup>

# SANDSTAND<sup>™</sup>

## TILTING SANDER BASE

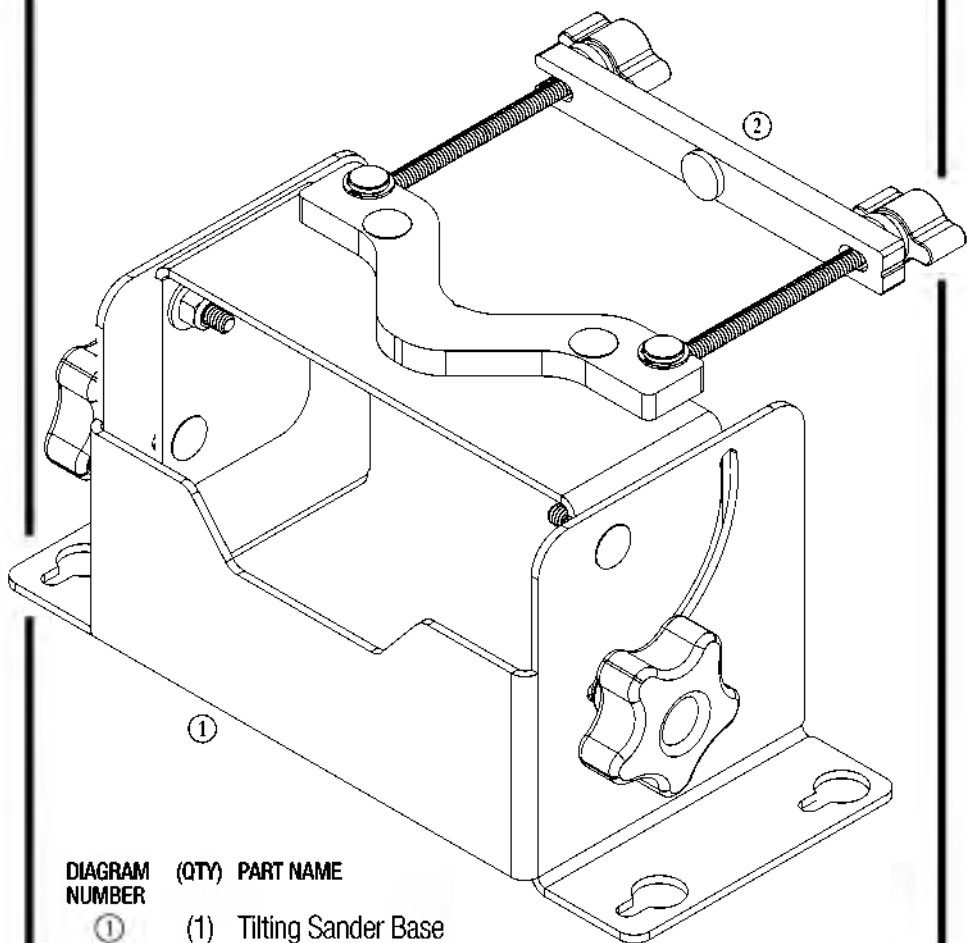


DIAGRAM  
NUMBER

(QTY) PART NAME

- |   |                         |
|---|-------------------------|
| ① | (1) Tilting Sander Base |
| ② | (1) Sander Clamp        |
| - | (2) Carriage Bolt       |
| - | (2) Washer              |
| - | (2) Lock Nut            |

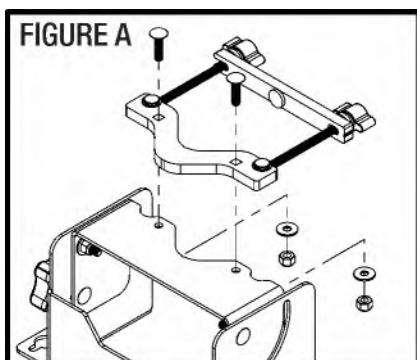


Scan the QR code above  
to watch the video  
or visit [woodpeck.com](http://woodpeck.com)  
under the video tab towards  
the bottom of the product page.

If you think you're missing anything, email us at [mailroom@woodpeck.com](mailto:mailroom@woodpeck.com).  
You can also call us at 800-752-0725 from 9:00 a.m. to 4:00 p.m. EST Monday - Friday.

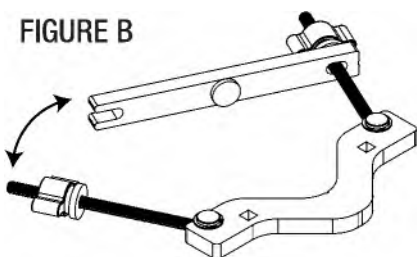
## I. ASSEMBLY

1. Place two Carriage Bolts into the square holes of the Sander Clamp ②. **FIGURE A**
2. Place the Sander Clamp on the Tilting Sander Base ①, sliding the Carriage Bolts through the holes in the top of the base.
3. Put a Washer and a Lock Nut on both Carriage Bolts and tighten all the way with a 7/16" wrench.



## II. SETUP

1. To open the Sander Clamp, loosen the two-lobe knobs and spread the arms apart. Place your sander into the "V" notch of the Sander Clamp and move the arms back together placing the clamping strap opening over the arm and tighten both knobs. **FIGURE B**



**NOTE: ENSURE THAT THE WASHER STAYS BETWEEN THE CLAMPING STRAP AND THE KNOB.**

## III. USE

1. Once your sander is installed, attach the SandStand to a sturdy work surface either by clamping down the flanges to the edge of a work bench or screwing/bolt-ing down through the key holes on the flanges for a more permanent mounting.

## IV. ADJUSTING

1. To change the angle that your sander is held in the SandStand, loosen both five-lobe knobs and move your sander to the desired angle and then re-tighten the knobs to lock it in place. **Note: If you would like to adjust the amount of drag in the pivot, simply tighten the Lock Nuts on the pivot to add drag or loosen them a little to make the pivot move more freely.**

# Woodpeckers®

Woodpeckers, LLC Strongsville, Ohio  
[woodpeck.com](http://woodpeck.com)  
© 2023 Woodpeckers, LLC



At Woodpeckers we are constantly reviewing & improving our tools. The most current version of our instruction manuals are always available to download at [woodpeck.com](http://woodpeck.com).  
(Located in the bottom section of the tool's page under the "Additional Information" or "Instructions" tabs.)



Be the first to know all the new products, **OneTIME Tools & sales** by subscribing to our eClub. (Located at the top center of our webpage [woodpeck.com](http://woodpeck.com))



Subscribe to our YouTube channel to stay up-to-date on all the latest tool tips & tricks.



**INTERACT WITH US!** Follow us on Facebook, Instagram & TikTok!



Enjoy shop tips, project ideas, tool techniques & more in our Woodworking Resource Center/Blog. (Located at the bottom center of our webpage [woodpeck.com](http://woodpeck.com))

REV0410623



**WARNING!** This product can expose you to chemicals, including chromium, which is known to the State of California to cause cancer and birth defects or other reproductive harm. For more information go to [www.P65Warnings.ca.gov](http://www.P65Warnings.ca.gov)