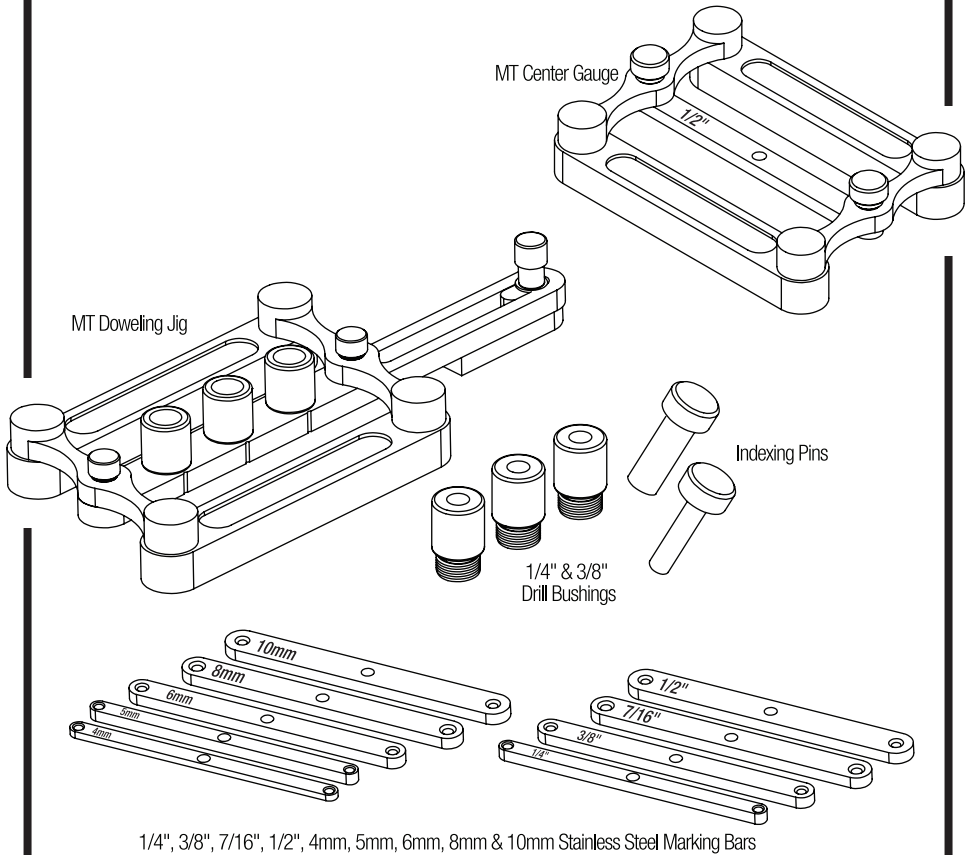


Woodpeckers[®]

Each sold separately

MT CENTER GAUGE & DOWELING JIG

OWNER'S MANUAL



Locate center of your stock, lay out perfectly centered mortises and tenons, and drill perfectly centered dowel joints all with this clever jig based on fundamental geometry.

If you think you're missing anything, email us at mailroom@woodpeck.com.
You can also call us at 800-752-0725 from 9:00 a.m. to 5:00 p.m. EST Monday - Friday.

MT CENTER GAUGE & DOWELING JIG

The centering frame of the **Woodpeckers MT Center Gauge & Doweling Jig** features a simple geometric principle, the centerline of a parallelogram is always the center, regardless of the distance between the two sides. What this means for you in the shop is that when you put the gauge on a board and squeeze it together, the center bar is precisely centered on your stock. Woodpeckers has used that elegantly simple foundation for three functions, locating the centerline of your stock, laying out centered mortises and tenons, and drilling perfectly centered holes.

LOCATING & MARKING THE CENTERLINE OF A BOARD

Install the **Stainless Steel Marking Bar** of choice in the **MT Center Gauge Frame** with the **Knobs** as shown. *Figure 1.*

All of the stainless steel marking bars have a small hole bored in their center. Simply close the MT center gauge on your stock, put a pencil in the center-bore and slide the **Center Gauge** along your board. *Figure 2.* It doesn't matter which marking bars you use. All of them will work exactly the same.

LAYING OUT TENONS & MORTISES

The stainless steel marking bars come in 4 fractional sizes ($1/4"$, $3/8"$, $7/16"$ & $1/2"$) and 5 metric sizes (4, 5, 6, 8 & 10mm). Depending on which package you purchased, you have all fractional, all metric or both. For whatever size mortise you want to lay out, install the correct marking bars. Position the center gauge so it slightly overlaps the start and end lines of your mortise or tenon. Close the center gauge on your stock. Now the marking bar is precisely located at the center of your stock. Mark each side of the marking bar.

Figure 3.

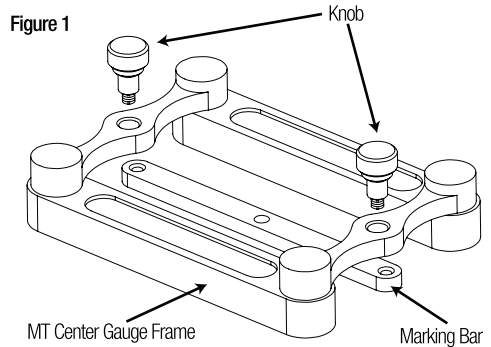


Figure 2

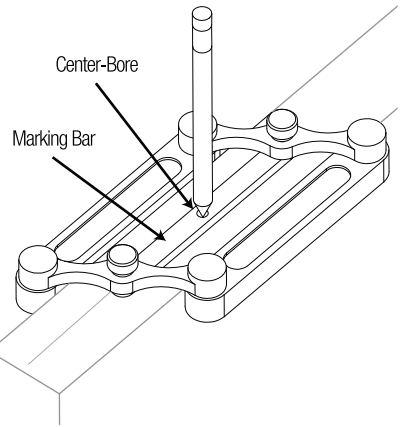
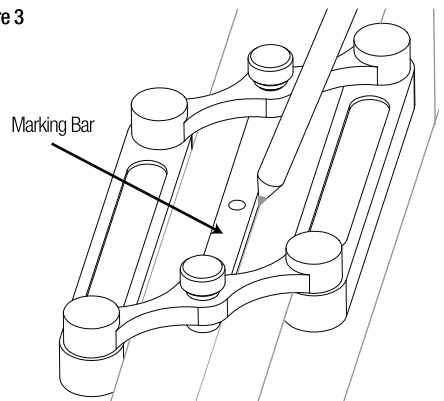


Figure 3



MT DOWELING JIG INSTRUCTIONS

Install the desired **Drill Bushings** in the **MT Doweling Jig Center Bar**. Install the center bar in the **MT Center Gauge Frame** with the knobs as shown. *Figure 4.*

Close the MT doweling jig onto your stock and shift it to position the drill bushings to your desired dowel location. Drill your dowel holes to the desired depth. *Figure 5.*

The **End Stop** can be used to position the MT doweling jig repetitively. *Figure 6.*

Use the **Indexing Pins** to accurately space a series of holes down the length of a board. *Figure 7.*

Figure 4

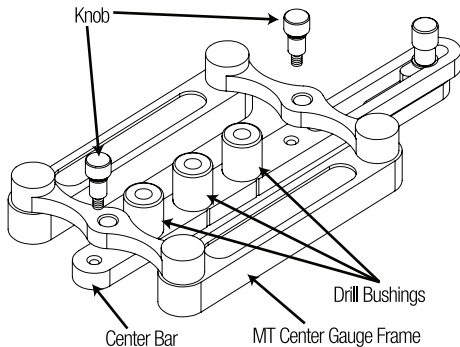


Figure 5

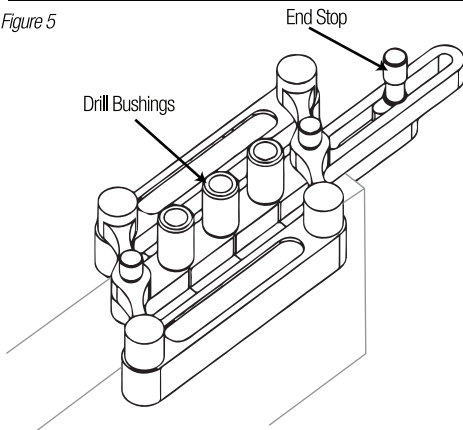


Figure 6

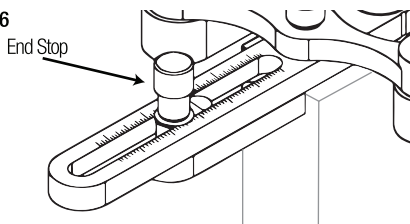
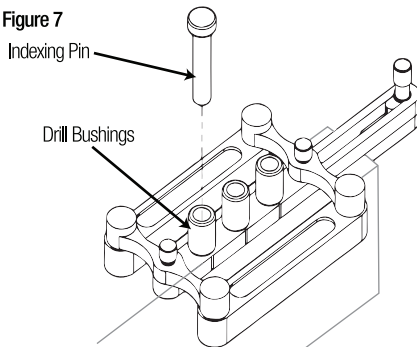


Figure 7



REV020620

Woodpeckers[®]

PRECISION WOODWORKING TOOLS

Woodpeckers, LLC Strongsville, Ohio · ***woodpeck.com***

© 2020 Woodpeckers, LLC



WARNING! This product can expose you to chemicals, including chromium, which is known to the State of California to cause cancer and birth defects or other reproductive harm. For more information go to www.P65Warnings.ca.gov