

Woodpeckers®

EXACT-90 MITER GAUGE

OWNER'S MANUAL

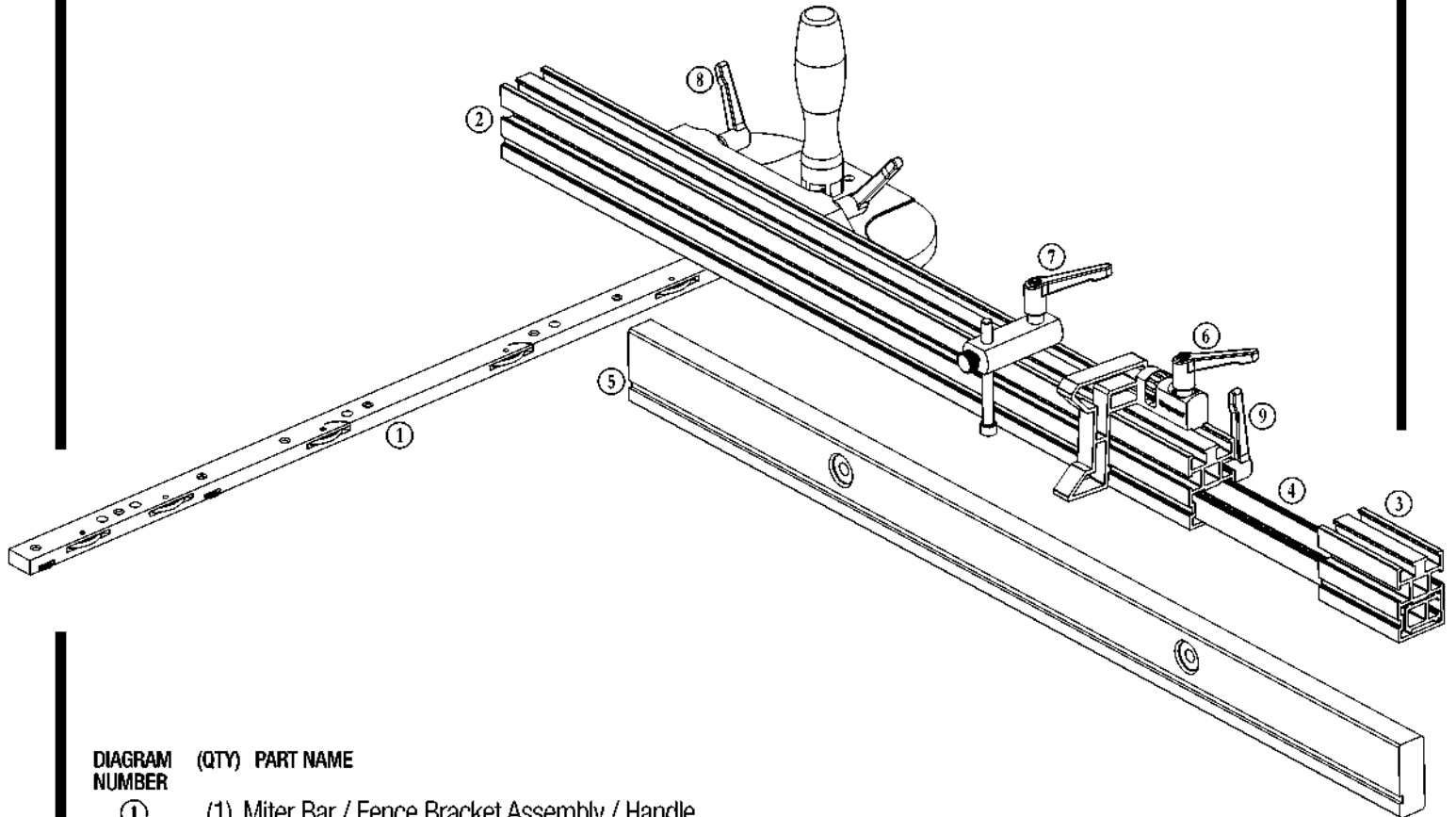


DIAGRAM NUMBER	(QTY)	PART NAME
①	(1)	Miter Bar / Fence Bracket Assembly / Handle
②	(1)	Fence
③	(1)	Fence Extension
④	(1)	Slider Scale
⑤	(1)	Sacrificial Fence
⑥	(1)	Flip Stop Assembly
⑦	(1)	Flop Stop Assembly

HARDWARE BAG A

⑧	(2)	Long Ratchet Knob
⑨	(1)	Short Ratchet Knob
	(7)	Weldnut, 1/4-20
	(2)	Nylon Washer, .25 x .375 x 0.31
	(3)	Fence Washer, #10 Thick
	(2)	Sockethead Cap Screw, 1/4-20 x 1/2"
	(2)	Connector Bolt, 1/4-20
	(1)	4mm Hex Key
	(1)	1/8" Hex Key



Scan the QR code above to watch the video or visit woodpeck.com under the video tab towards the bottom of the product page.

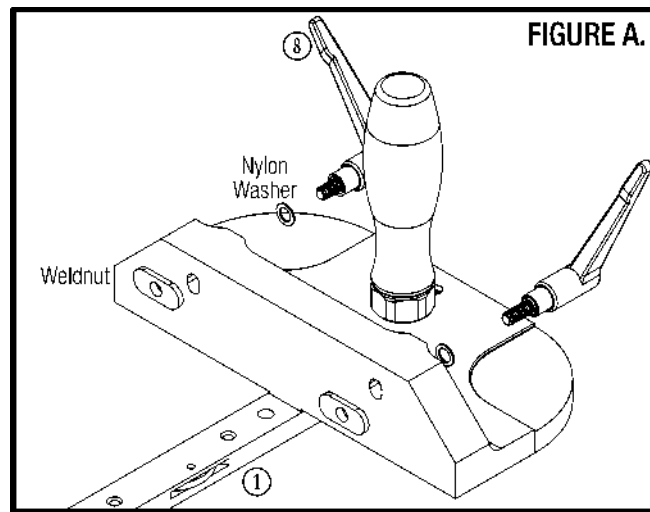
If you think you're missing anything, email us at rma.lroom@woodpeck.com.
You can also call us at 800-752-0725 from 9:00 a.m. to 4:00 p.m. EST Monday - Friday.

I. ASSEMBLING THE EXACT-90 MITER GAUGE

AT THIS POINT YOU WILL NEED

- ① Miter Bar/ Fence Bracket Assembly / Handle
- ② Fence
- **Hardware Bag A**
 - ⑧ Long Ratchet Knob (2)
 - Weldnut, 1/4-20 (2)
 - Nylon Washer, .25 x .375 x 0.31 (2)

1. Place a Nylon Washer on the threaded end of the Long Ratchet Knob ⑧. Insert the threads of each Long Ratchet Knob through the back of the Fence Bracket Assembly. Loosely secure a Weldnut on the other side. **FIGURE A.**
2. Slide the Fence ② onto the Weldnuts. Make sure to slide the Fence on from left-to-right, leading with the end of the Fence where the scale begins.
3. Temporarily secure the Fence in place by tightening the Long Ratchet Knob.



II. INSTALLING THE SACRIFICIAL FENCE, OPTIONAL

AT THIS POINT YOU WILL NEED

- ⑤ Sacrificial Fence
- **Hardware Bag A**
 - Weldnut, 1/4-20 (2)
 - Connector Bolt, 1/4-20 (2)
 - 1/8" Hex Key

1. Insert a Connector Bolt through each counter sunk hole in the Sacrificial Fence ⑤. **FIGURE B.**
2. Loosely thread a Weldnut onto the end of both Connector Bolts.
3. Slide the Sacrificial Fence onto the Fence by slotting the Weldnuts into front T-slot track of the Fence.

NOTE: Make sure the Sacrificial Fence is oriented so that the groove on the Sacrificial Fence is located closest to the bottom of the Fence.

4. Make the Sacrificial Fence flush with both ends of the Fence and secure it in place using an 4mm Hex Key.

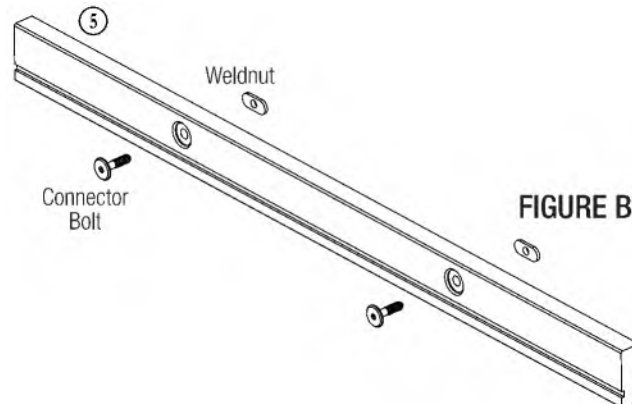
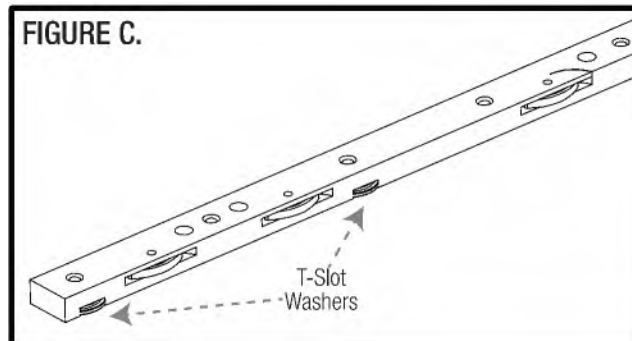


FIGURE C.



III. SQUARING UP THE FENCE

AT THIS POINT YOU WILL NEED

- **Hardware Bag A**
 - 4mm Hex Key

1. Insert the Exact-90 Miter Gauge into the left miter slot of your table saw by slotting the t-slot washers into the miter slot.

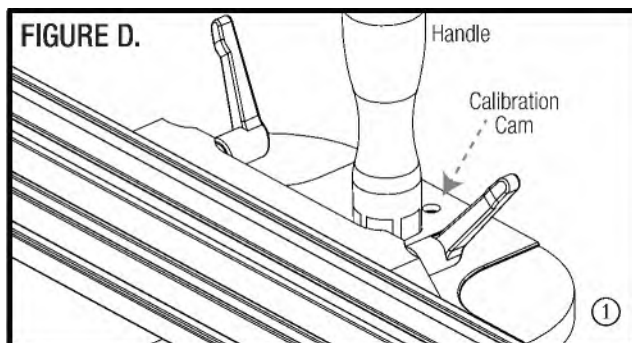
NOTE: If your table saw does not have a t-slot miter slot, remove the t-slot washers using the 1/8" Hex Key. **FIGURE C.**

2. Slide the Exact-90 Miter Gauge up so that the front of the Fence is in line with the left side of the blade. Adjust the Fence left or right so that the end where the scale begins is roughly 1/4" away from the left side of the blade.

3. Raise your table saw blade to maximum height.

4. Using a reliable square or triangle (*not included*), check to see that the Exact-90 Miter Gauge Fence is perfectly square to the left side of the table saw blade.

5. If minor adjustments are needed to square the fence, loosen the Handle on the Miter Bar Fence Bracket Assembly by turning it counter-clockwise. Insert a 1/8" Hex Key into the Calibration Cam. Turn the cam left or right as needed to dial in your fence square to your table saw blade. When the adjustment is complete, tighten the Handle by turning it clockwise until tight. **FIGURE D.**



IV. CALIBRATING THE FENCE SCALE

AT THIS POINT YOU WILL NEED

- ⑥ Flip Stop Assembly

1. Slide the Weldnut attached to the Flip Stop Assembly ⑥ into the top of the Fence using the rear t-slot track.

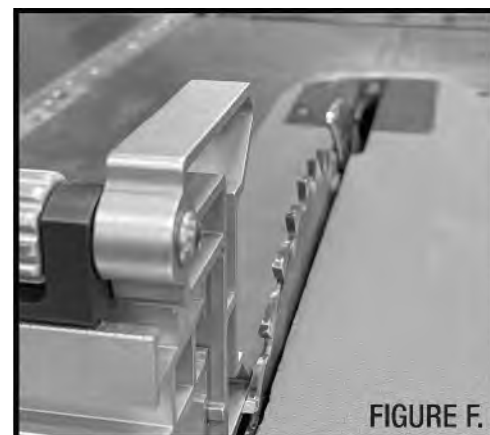
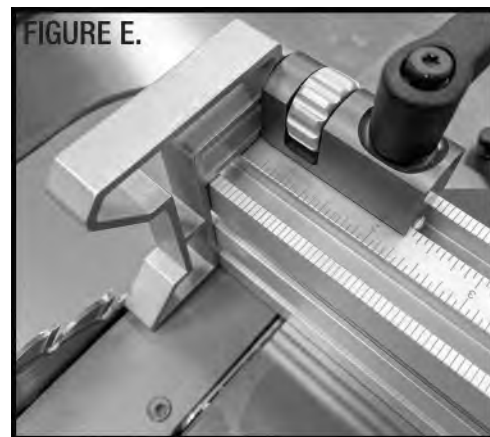
NOTE: If the Sacrificial Fence is installed, slide the Flip Stop Assembly into the front t-slot track of the Fence.

2. Set the left side of the Flip Stop at 1/2" and lock it in place using the Ratchet Knob. **FIGURE E.**

3. Loosen the two Long Ratchet Knobs on the Fence Bracket Assembly and slide the Fence to the right until the right side of the Flip Stop comes in contact with the left side of the table saw tooth on the blade. **FIGURE F.**

4. Lock the Fence in place by tightening the two Long Ratchet Knobs.

5. Set the scale at a dimension of your choice and make a test cut to verify accurate calibration. If adjustments are needed, repeat steps 2-4.



V. ASSEMBLING & CALIBRATING THE FENCE EXTENSION & SLIDER SCALE

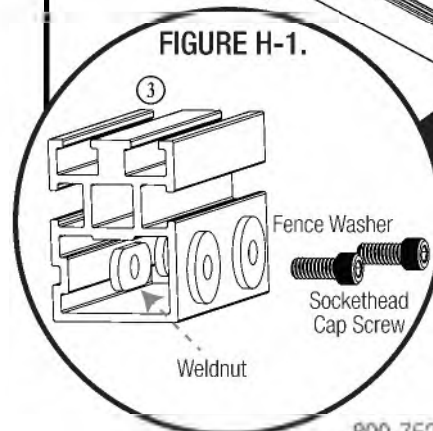
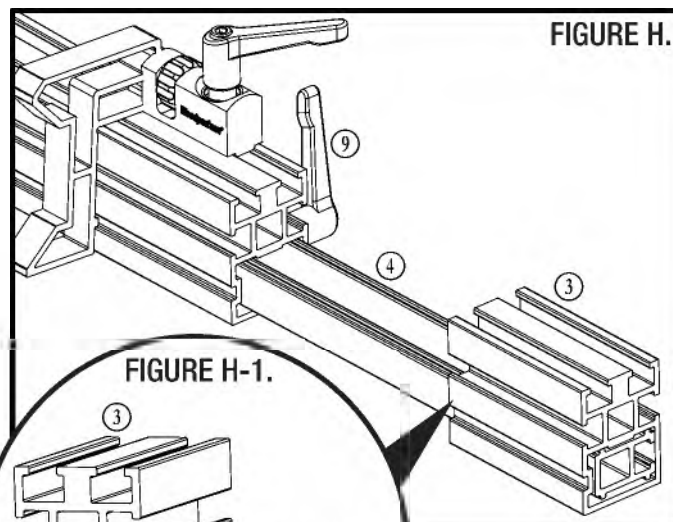
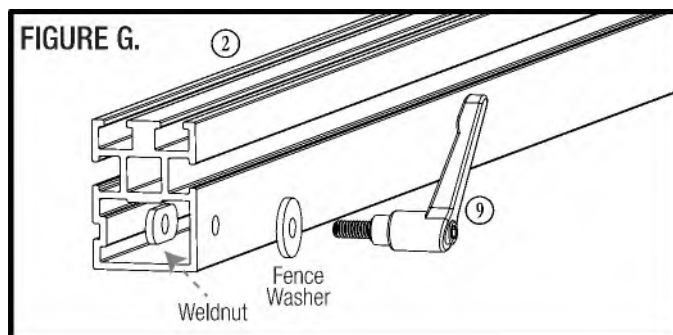
AT THIS POINT YOU WILL NEED

- ③ Fence Extension
- ④ Slider Scale
- **Hardware Bag A**
 - ⑨ Short Ratchet Knob
 - Weldnut, 1/4-20 (3)
 - Fence Washer, #10 Thick (3)
 - Sockethead Cap Screw, 1/4-20 x 1/2" (2)
 - 1/8" Hex Key

1. Place a Fence Washer on the threads of the Short Ratchet Knob ⑨. Insert the Short Ratchet Knob threads into the rear hole in the bottom left of the Fence. Loosely thread a Weldnut onto the Short Ratchet Knob. **FIGURE G.**

2. Slide the Slider Scale ④ onto the Weldnut and lock the Slider Scale in place using the Short Ratchet Knob at roughly 28". **FIGURE H.**

3. Place a Fence Washer on the two Sockethead Cap Screws. Insert the threads of the screws through the holes of the Fence Extension ③. Loosely secure the screws in place with Weldnuts. **FIGURE H-1.**

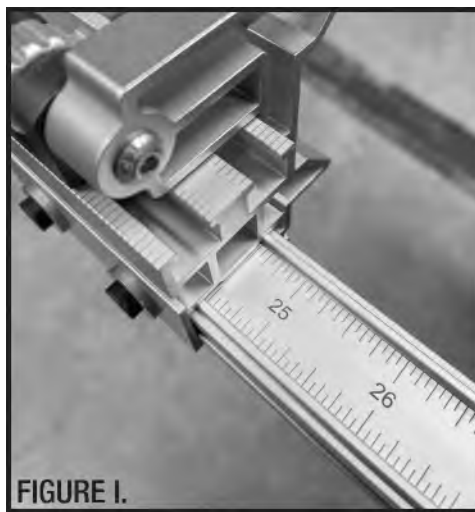


4. Slot the Fence Extension onto the Slider Scale by sliding the Weldnuts into the t-slot track of the Slider Scale. **FIGURE I.**

5. Align the right edge of the Fence Extension at 24-1/2" on the Slider Scale. Lock the Fence Extension in place by using an 1/8" Hex Key to tighten the Sockethead Cap Screws. **FIGURE J.**

6. To calibrate the Slider Scale, first set the Flip Stop on the Fence Extension so that the right side of the stop reads 24-1/2", then loosen the Slider Scale and slide it so the desired dimension is in line with the left edge of the Fence.

7. Make a test cut to verify accurate calibration. If adjustments are needed, repeat steps 5 & 6.



VI. USING THE FLOP STOP

AT THIS POINT YOU WILL NEED

- ⑦ Flop Stop Assembly

NOTE: The Flop Stop allows you to make cross cuts up to 24". The Flop Stop supports the fence when the miter gauge is off the table. No more catching the back fence on the front edge of your table saw ruining your cut.

1. Slide the Weldnut attached to the Flop Stop Assembly ⑦ into the top of the fence using the rear t-slot track. **FIGURE K.**

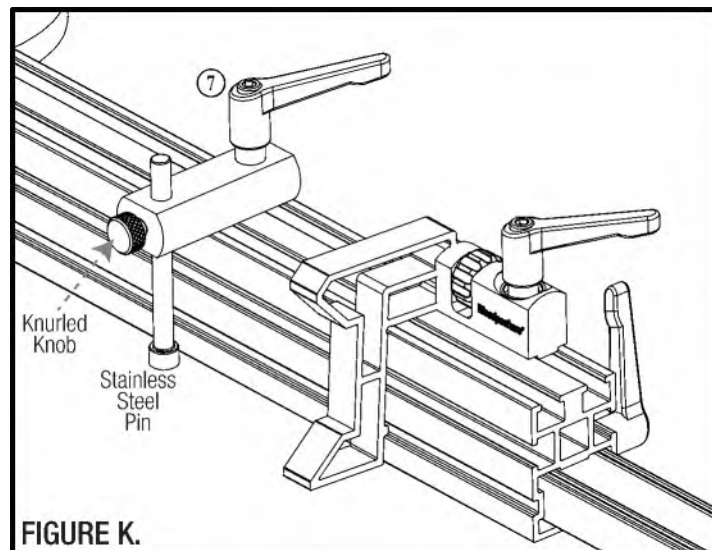
NOTE: If the Sacrificial Fence is installed, slide the Flop Stop Assembly into the front t-slot track of the fence.

2. Set the Flip-Stop at your desired dimension and place your material against the Flip-Stop.

3. Slide the Flop Stop over to the left side of your material and lock it in place using the Ratchet Knob.

4. Loosen the Knurled Knob on the Flop Stop so the Stainless Steel Pin drops down on top of your material. Lock it place by tightening the Knurled Knob.

5. At this time, you are now ready to cut your wide panel. To do so, apply downward pressure to the top right corner of your material as you pull the Exact-90 Miter Gauge towards you and off of the table. This will counterbalance the Fence Bracket Assembly so that it stays parallel with your table as it moves on and off of the table saw during your cut.



Woodpeckers®

Woodpeckers, LLC Strongsville, Ohio

woodpeck.com

© 2022 Woodpeckers, LLC



At Woodpeckers we are constantly reviewing & improving our tools. The most current version of our instruction manuals are always available to download at woodpeck.com.
(Located in the bottom section of the tool's page under the "Additional Information" or "Instructions" tabs.)



Be the first to know all the new products, **OneTIME Tools & sales** by subscribing to our eClub. (Located at the top center of our webpage woodpeck.com)



Subscribe to our YouTube channel to stay up-to-date on all the latest tool tips & tricks.



INTERACT WITH US! Follow us on Facebook, Instagram & TikTok!



Enjoy shop tips, project ideas, tool techniques & more in our Woodworking Resource Center/Blog. (Located at the bottom center of our webpage woodpeck.com.)



WARNING!

This product can expose you to chemicals, including chromium, which is known to the State of California to cause cancer and birth defects or other reproductive harm. For more information go to www.P65Warnings.ca.gov