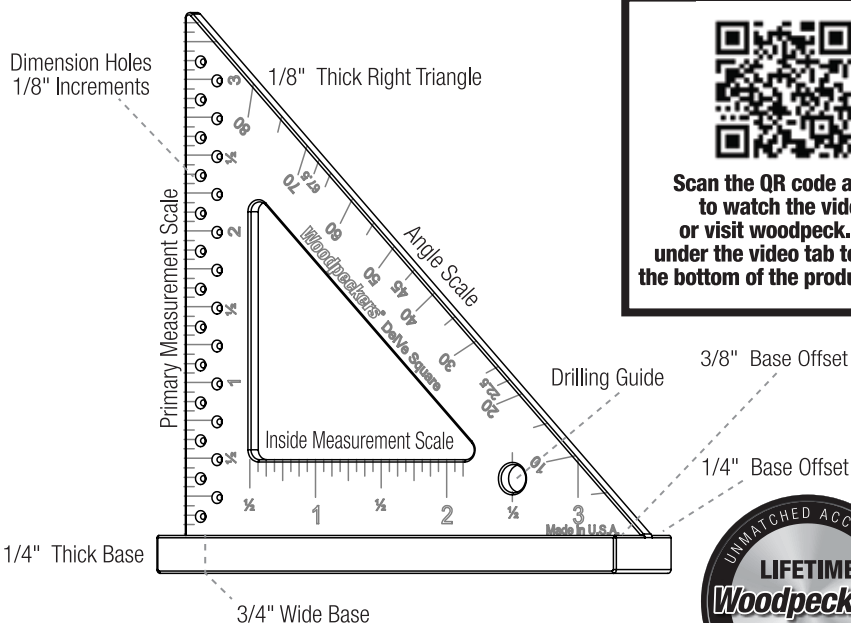


Woodpeckers®

DeVe® Square

O W N E R ' S M A N U A L



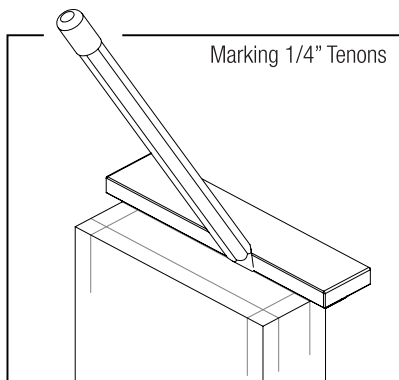
Scan the QR code above
to watch the video
or visit woodpeck.com
under the video tab towards
the bottom of the product page.



If you think you're missing anything, email us at mailroom@woodpeck.com.
You can also call us at 800-752-0725 from 9:00 a.m. to 4:00 p.m. EST Monday - Friday.

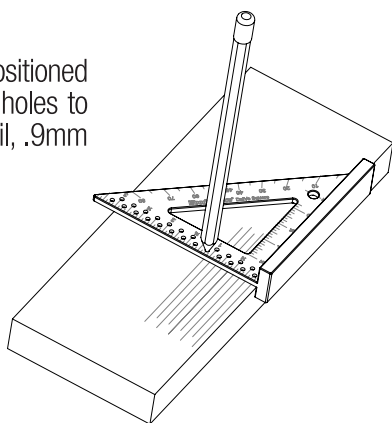
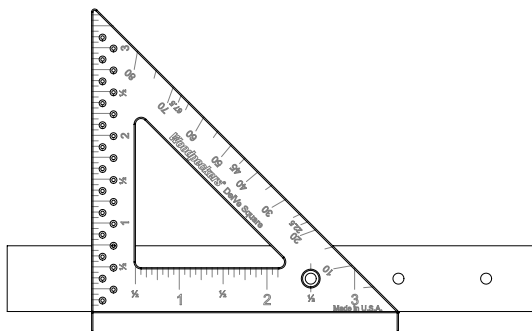
USING THE DELVE SQUARE OFFSET BASE

The triangle blade is offset in the 3/4"-wide base with 1/4" on one side and 3/8" on the other. With commonly used 3/4"-thick stock, divide into thirds using the 1/4" base offset. Or, locate the center of the board by striking the 3/8" base offset from each face and locate center of those marks.



SCRIBING PARALLEL LINES

Precision-machined holes at 1/8" increments are positioned along the primary measurement scale. Use these holes to make repetitive layout lines with a mechanical pencil, .9mm lead is recommended.

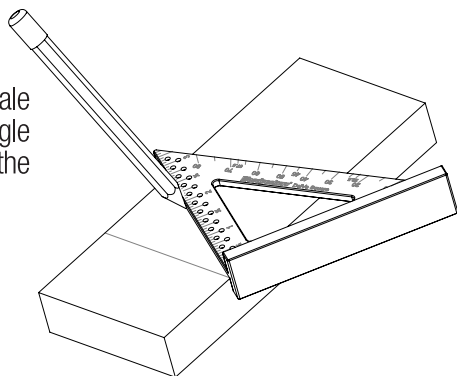


USING THE DRILLING GUIDE WITH A SELF-CENTERING DRILL BIT

The Drilling Guide is positioned to make drilling holes in the exact center of 3/4" stock. Index the DelVe Square base off the edge at the desired location and use a self-centering drill bit to drill the hole.

DRAWING ANGLES

Pivot off the base at the primary dimension scale side of the DelVe Square until your desired angle is positioned on the edge of your stock. In the example here, a 30° angle is being drawn.



FAST & PRECISE MACHINE SET-UP

You can use the base's 3/4" width or 1/4" thickness, or the 1/8" thick blade, to set your machine's blade height or cut depth. Or stand the square on its base and use the primary measurement scale to make other height adjustments. These gauge block dimensions can be used to align your table saw fence or similarly at your bandsaw and router table setups.

Woodpeckers®

PRECISION WOODWORKING TOOLS

Woodpeckers LLC Strongsville, Ohio · woodpeck.com

© 2023 Woodpeckers LLC



WARNING! This product can expose you to chemicals, including chromium, which is known to the State of California to cause cancer and birth defects or other reproductive harm. For more information go to www.P65Warnings.ca.gov