

Woodpeckers®

STAIR TREAD & SHELF GAUGE

OWNER'S MANUAL

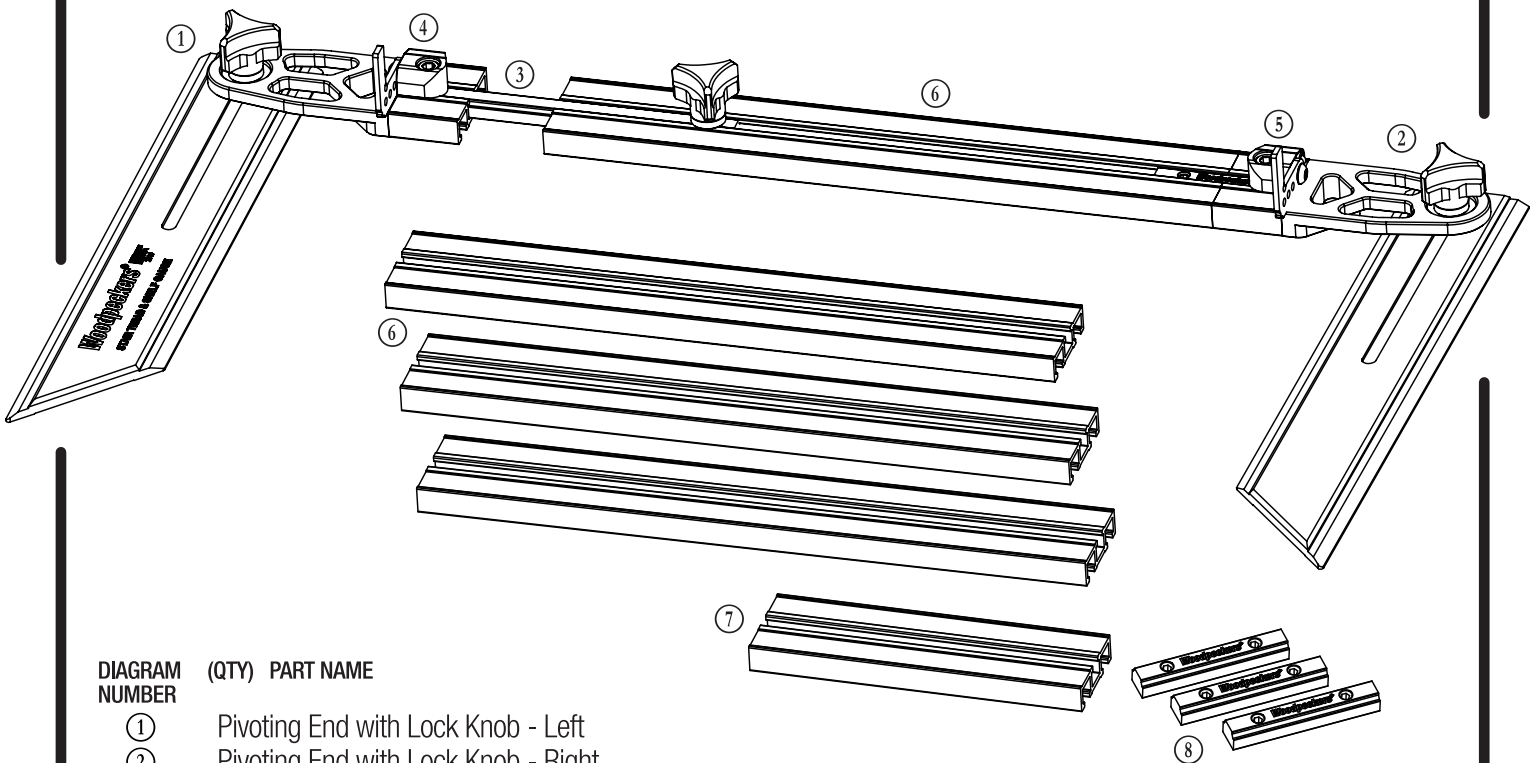


DIAGRAM NUMBER (QTY) PART NAME

- ① Pivoting End with Lock Knob - Left
- ② Pivoting End with Lock Knob - Right
- ③ Sliding Connector with Lock Knob
- ④ Flip Stop - Left
- ⑤ Flip Stop - Right
- ⑥ (4) 12" Tracks
- ⑦ (1) 6" Track
- ⑧ (4) Track Connectors with 2 Connector Locking Bolts each

HARDWARE

- (1) Allen Wrench 1/8"
- (1) Allen Wrench 3/16"
- (2) Socket Head Screw 1/4"-20 x 1/2"



Scan the QR code above
to watch the video
or visit woodpeck.com
under the video tab towards
the bottom of the product page.

Woodpeckers Stair Tread & Shelf Gauge creates an instant template for dimension and angle of stair treads, stair risers, built-in shelves or any other surface that is captured on three sides.

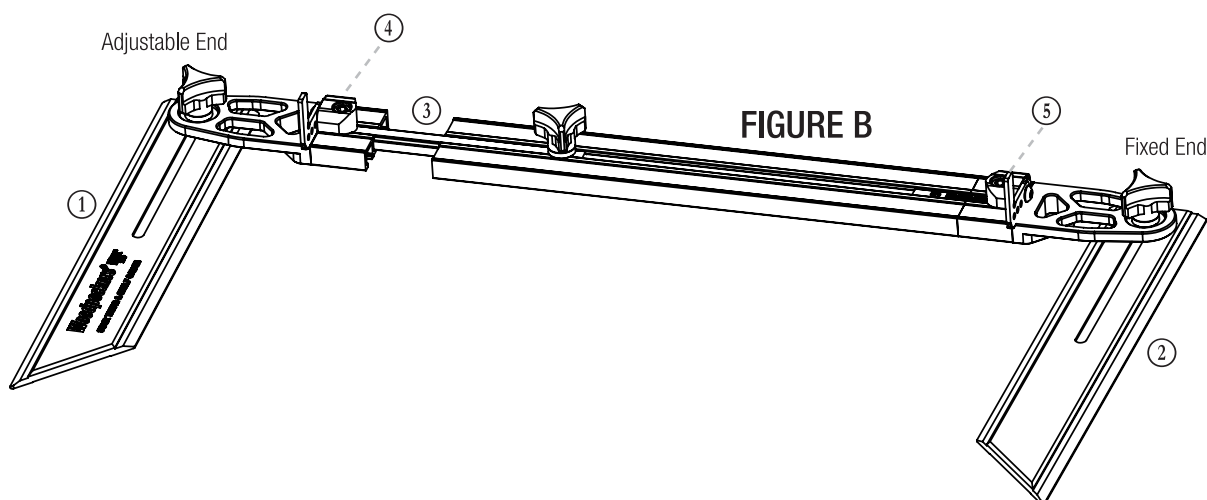
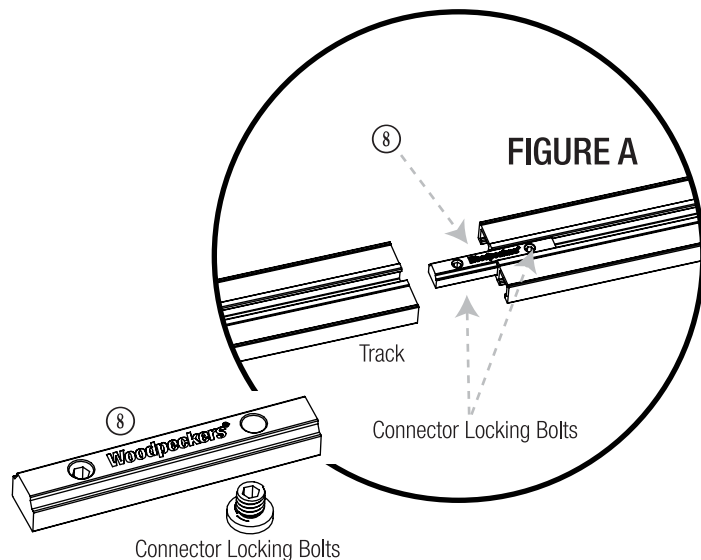
If you think you're missing anything, email us at mailroom@woodpeck.com.
You can also call us at 800-752-0725 from 9:00 a.m. to 5:00 p.m. EST Monday - Friday.

ASSEMBLE TRACK SECTIONS

1. The amount of Track you assemble for any task depends on the rough width of your opening. The two Pivoting Ends take up 5-1/4" each and you want the adjustable end to have a few inches of travel to expand into your opening. So, subtract 13" from your rough dimension to give you the amount of track to assemble. Assemble the combination that comes closest to your calculation.

2. Join the Track ⑥ or ⑦ sections by placing a Track Connector ⑧ half-way between two Track sections and tighten the 2 Connector Locking Bolts with the supplied Allen Wrench. **Figure A.**

NOTE: One 6" ⑦ and four 12" ⑥ Track Sections are provided. For maximum adjustment, a 12" Track Section should always be used on the adjustable end.

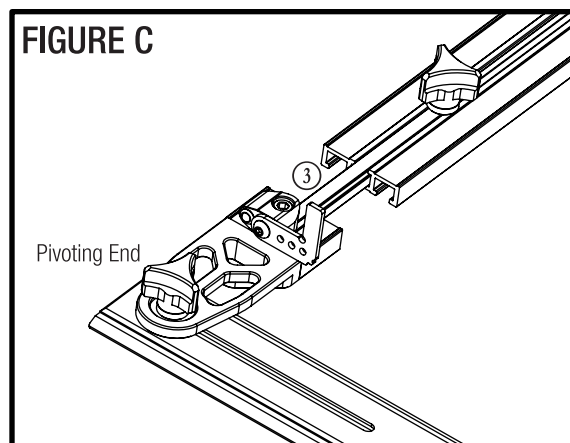


ASSEMBLE ADJUSTABLE END:

1. The adjustable end can be attached to either Pivoting End. Slide the Sliding Connector ③ into the assembled Track. **Figure B.**

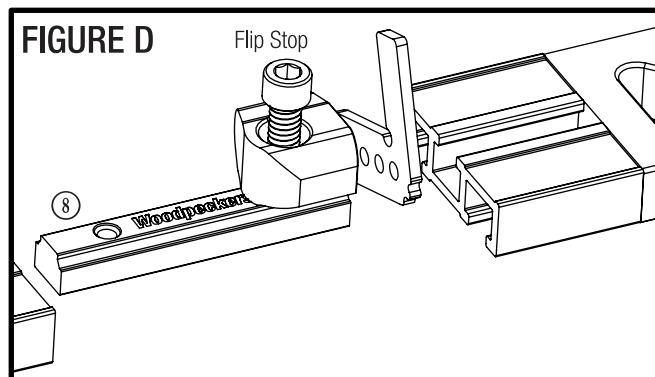
2. If you want to use the Flip Stop to align the template to your material, remove the Connector Locking Bolt from the Sliding Connector and replace it with the correct Flip Stop (*right or left depending on how you are assembling the gauge*). **Figure C.**

3. Slide the Sliding Connector ③ into the short section of Track attached to the Pivoting End and lock the Flip Stop with the provided Allen Wrench.



ASSEMBLE FIXED END:

1. If you want to use the Flip Stop to align the template to your material, remove the Connector Locking Bolt from a Track Connector ⑧ and replace it with the remaining Flip Stop. Slide the Track Connector into the short section of Track attached to the Pivoting End and lock with the Socket Head Screw and the provided Allen Wrench. **Figure D.**

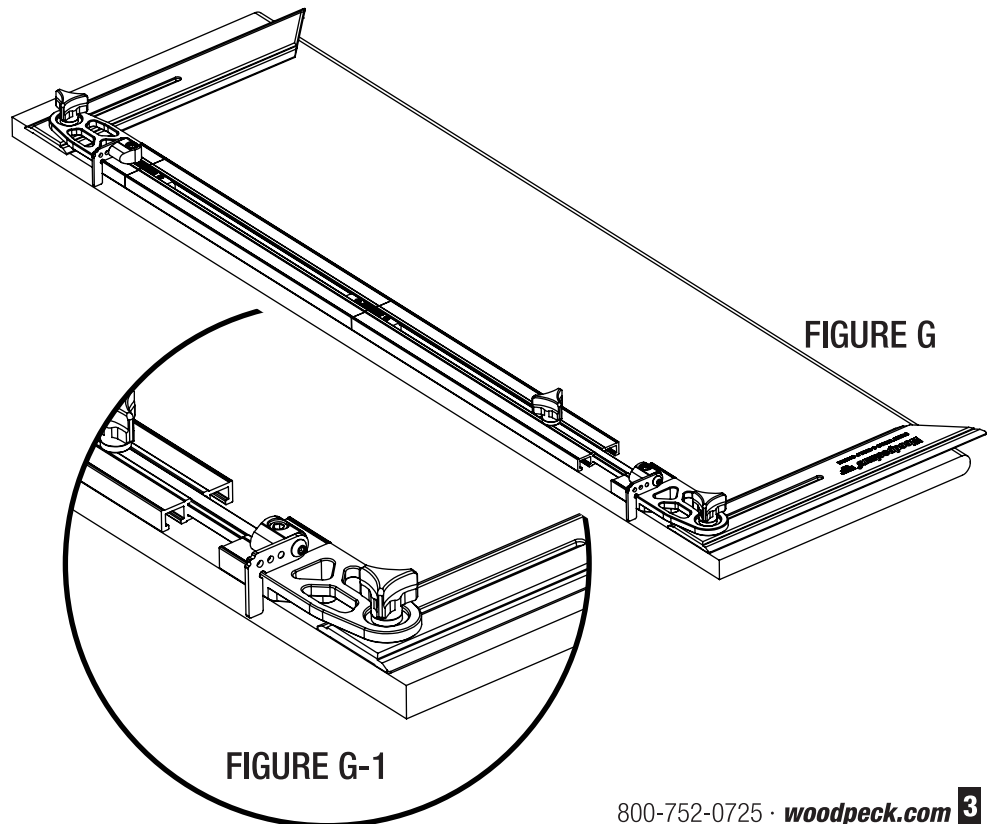
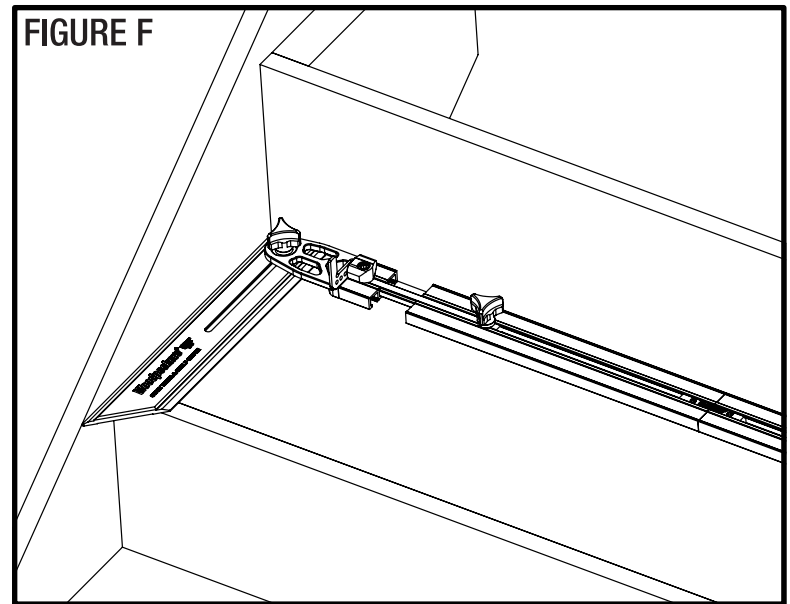
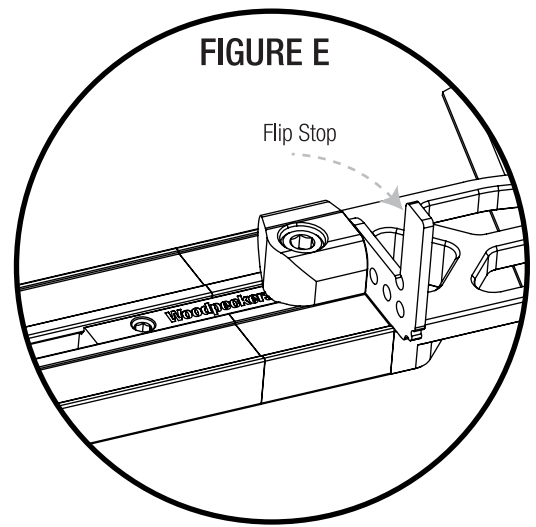


CREATING AN INSTANT TEMPLATE

1. Make sure the Flip Stops are up. **Figure E.**
2. Align the assembled Track with the back wall of your enclosure. Place the fixed end against the side wall with the Pivoting End freely pivoting.
3. Extend the adjustable end until the Pivoting End is against the other side wall. **Figure F.**
4. Adjust both Pivoting Ends to match their respective walls and lock them with the Locking Knobs.
5. Confirm both Pivoting Ends are flush to their walls and lock the Sliding Connector.
6. Lift your Stair Tread & Shelf Gauge template out carefully (*tipping one end up on an angle is usually required*).

TRANSFERRING SHAPE TO YOUR MATERIAL

1. Flip the Flip Stops down. Hook them on the edge of your material. **Figure G / Figure G-1.**
2. Mark dimension and angle by scribing lines along the two Pivoting Ends.



Woodpeckers®

Woodpeckers, LLC Strongsville, Ohio

woodpeck.com

© 2021 Woodpeckers, LLC



At Woodpeckers we are constantly reviewing & improving our tools. The most current version of our instruction manuals are always available to download/print at woodpeck.com via the tool's page.

(Located in the bottom section of the tool page under the "Additional Information" or "Instructions" tabs.)



Be the first to know all the new products & sales by subscribing to our eClub.

(Located at the top center of our webpage woodpeck.com.)



Subscribe to our YouTube channel to stay up-to-date on all the latest tool tips & tricks.



Interact with us! Follow us on Facebook & Instagram!



WARNING!

This product can expose you to chemicals, including chromium, which is known to the State of California to cause cancer and birth defects or other reproductive harm.

For more information go to www.P65Warnings.ca.gov