

ULTRA-SHEAR®

by Woodpeckers®

ROUTER BIT STORAGE PANEL INCLUDES RACKBIT BASES

OWNER'S MANUAL

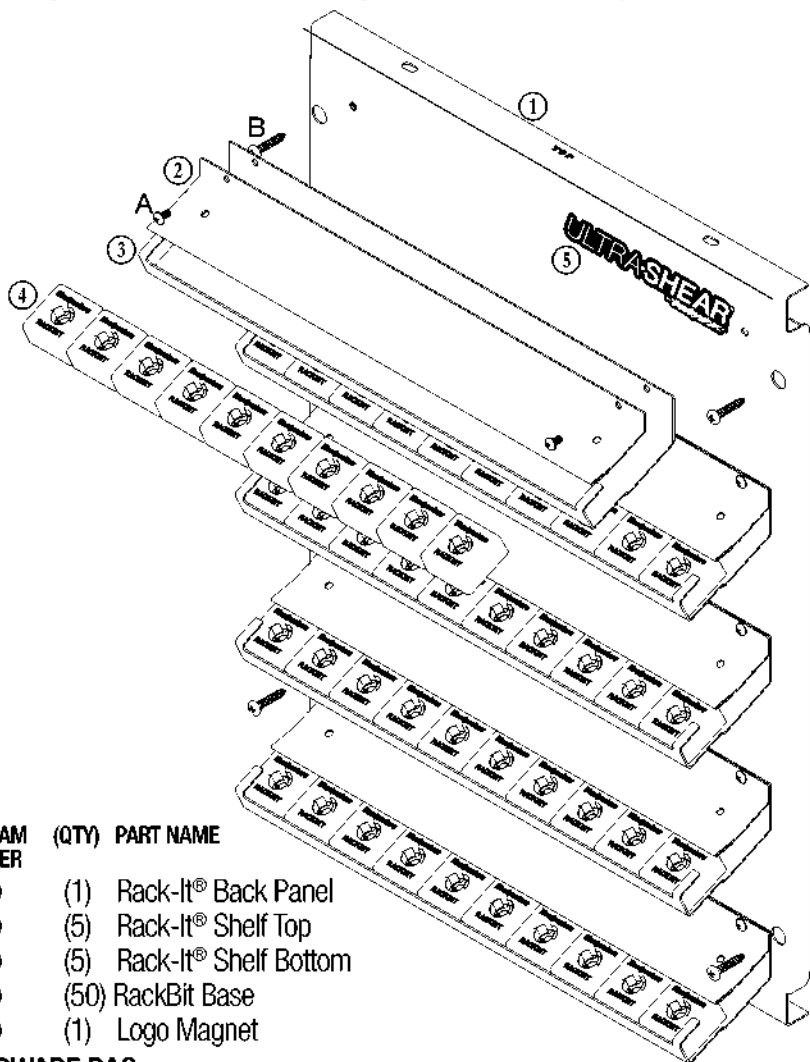
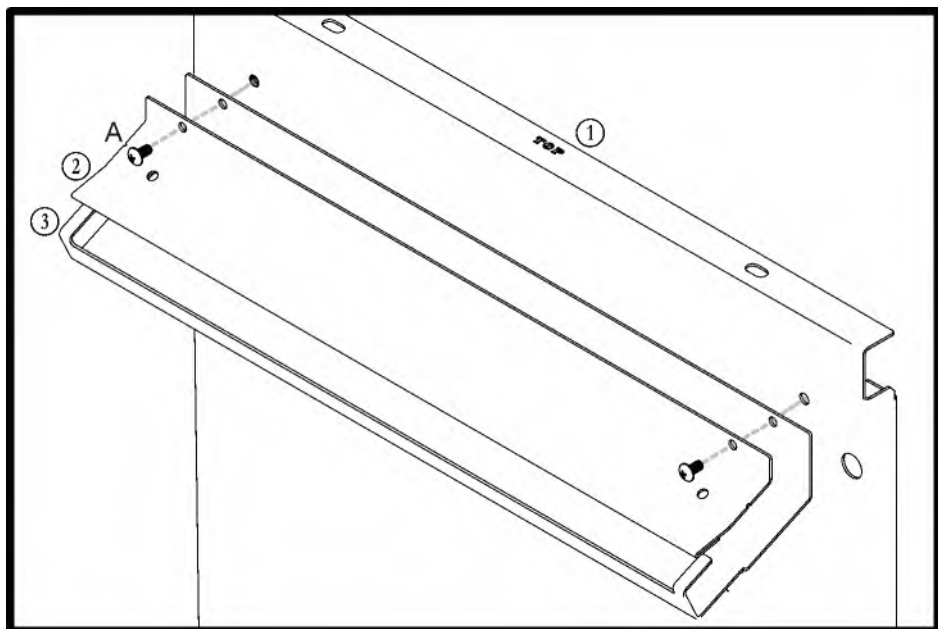


DIAGRAM NUMBER	(QTY)	PART NAME
①	(1)	Rack-It® Back Panel
②	(5)	Rack-It® Shelf Top
③	(5)	Rack-It® Shelf Bottom
④	(50)	RackBit Base
⑤	(1)	Logo Magnet

HARDWARE BAG

- A (10) Pan Head Screw, 8-32 x 5/16
- B (4) Mounting Screw, #10 x 1

If you think you're missing anything, email us at mailroom@woodpeck.com.
You can also call us at 800-752-0725 from 9:00 a.m. to 4:00 p.m. EST Monday - Friday.



Start from the bottom working up to attach the Rack-It Shelves.

Place a Rack-It Shelf Top (2) onto the Rack-It Shelf Bottom (3), align the holes of both with the holes in the Rack-It Back Panel (1). Fasten with Pan Head Screws (A).

Repeat for the remaining shelves.

Level and fasten the complete unit to studs in the wall using the Mounting Screws (B).

ULTRA·SHEAR[®]
Woodpeckers™

Woodpeckers, LLC Strongsville, Ohio

woodpeck.com

© 2026 Woodpeckers, LLC



woodpeck.com

At Woodpeckers we are constantly reviewing & improving our tools. The most current version of our Instruction manuals are always available to download at **woodpeck.com**.

(Located in the bottom section of the tool's page under the "Additional Information" or "Instructions" tabs.)



Be the first to know all the new products, **OneTIME Tools & sales** by subscribing to our eClub. *(Located at the top center of our webpage woodpeck.com.)*



Subscribe to our YouTube channel to stay up-to-date on all the latest tool tips & tricks.



INTERACT WITH US! Follow us on Facebook, Instagram & TikTok!



Enjoy shop tips, project ideas, tool techniques & more in our Woodworking Resource Center/Blog. *(Located at the bottom center of our webpage woodpeck.com.)*

REV 021136



WARNING! This product can expose you to chemicals, including chromium, which is known to the State of California to cause cancer and birth defects or other reproductive harm. For more information go to www.P65Warnings.ca.gov