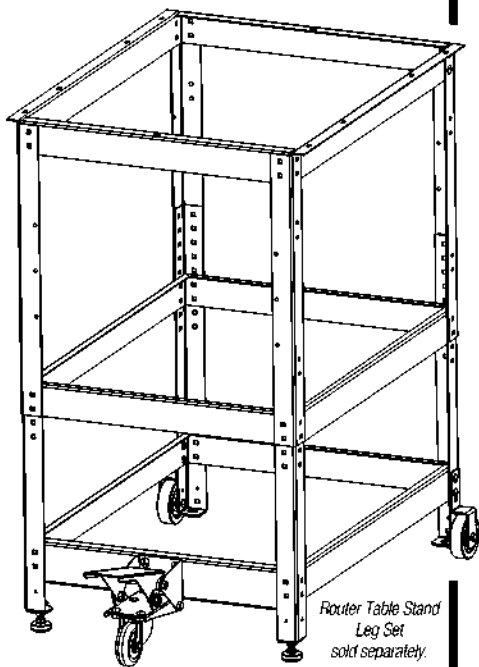
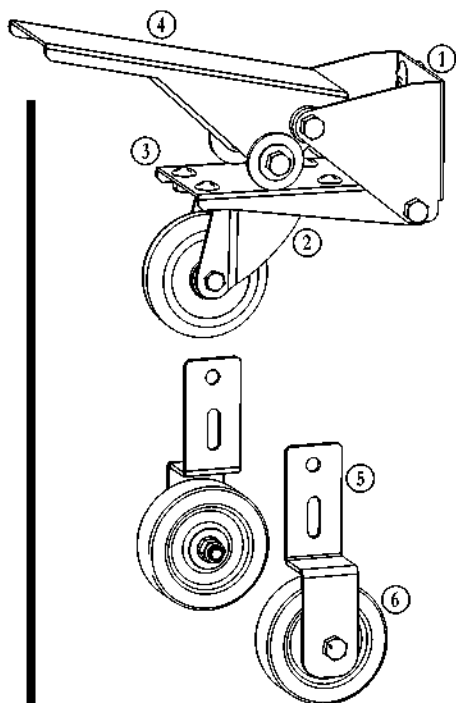


Woodpeckers[®]

WHEEL KIT | RTWKIT-22

OWNER'S MANUAL



DIAGRAM

NUMBER	PART NAME	QTY
①	Foot Pedal Mounting Bracket	(1)
②	Swivel Caster	(1)
③	Caster Bracket	(1)
④	Foot Pedal	(1)
⑤	Wheel Bracket	(2)
⑥	Wheel	(2)

HARDWARE BAG

HARDWARE BAG	QTY
Hex Head Bolt 5/16-18 x 1/2"	(2)
Hex Head Bolt 1/4-20 x 2"(Partial Thread)	(2)
Hex Head Bolt 5/16-18 X 3-3/4"(Partial Thread)	(2)
Hex Nut 5/16-18	(2)
Nylock Nut 5/16-18	(2)
Nylock Nut 1/4-20	(2)
USS Washer 5/16	(2)
Nylon Washer, Large	(2)
Nylon Washer, Small	(2)
Carriage Bolt 1/4-20 X 1/2"	(8)
Kep Nut 1/2-20	(8)

If you think you're missing anything, email us at mailroom@woodpeck.com.
You can also call us at 800-752-0725 from 9:00 a.m. to 4:00 p.m., EST Monday - Friday.

I. WHEEL KIT INSTALLATION

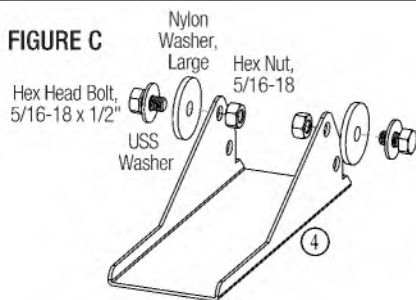
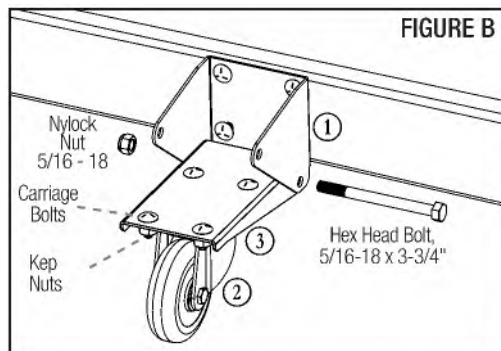
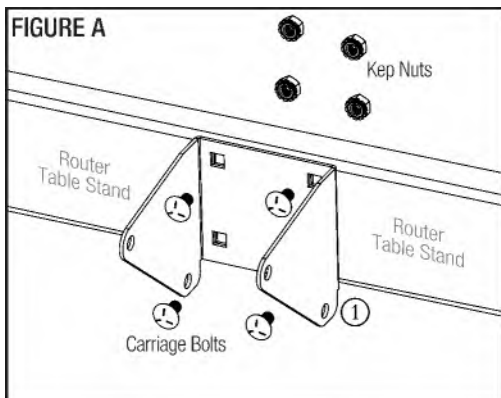
1. One end of your router table stand leg set has a brace with four holes. Use (4) Carriage Bolts and (4) Kep Nuts to attach the Foot Pedal Mounting Bracket ①. **Figure A.**

2. Use (4) Carriage Bolts and (4) Kep Nuts to attach the Swivel Caster ② to the Caster Bracket ③. **Figure B.**

3. Use a Hex Bolt (5/16-18 x 3-3/4") and a Nylock Nut to attach the Caster Bracket ③ to the Foot Pedal Mounting Bracket ①. **Figure B**

NOTE: DO NOT OVER TIGHTEN. Tighten the Nylock Nut (5/16-18) until it just begins to touch the brackets. The Caster Bracket must pivot freely. *Nylock Nuts have a protrusion on one side and self tighten as they are installed.*

4. To assemble the Foot Pedal ④ use a Hex Head Bolt (5/16-18 x 1/2"), a USS Washer and Nylon Washer, Large from the outside of the Foot Pedal and a Hex Nut (5/16-18) from the inside of the Foot Pedal. Repeat on the other side of the Foot Pedal **Figure C.**



5. Install the Foot Pedal ④ using the remaining Hex Head Bolt (5/16-18 x 3-3/4"), (2) Nylon Washers, Small and a Nylock Nut 5/16-18. **Figure D.**

IMPORTANT NOTE: The (2) Nylon Washers, Small must be inserted between each side of the Foot Pedal and the inside of the Foot Pedal Mounting Bracket. DO NOT FULLY TIGHTEN the Nylock Nut. The Pedal must move up and down freely.

6. Both leveler feet from the end of the router table leg stand opposite the Foot Pedal need to be removed. The levelers will interfere with installation and operation of the Wheels. **Figure D-1.**

7. The Wheel Brackets ⑤ will use the already installed bolts connecting the long bottom brace to the leg. Begin by removing the two bolts and nuts from one leg.

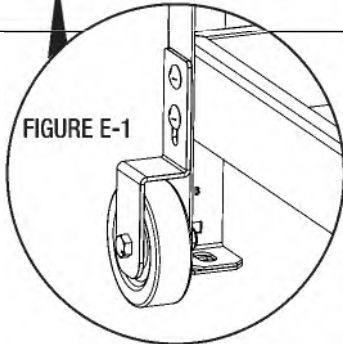
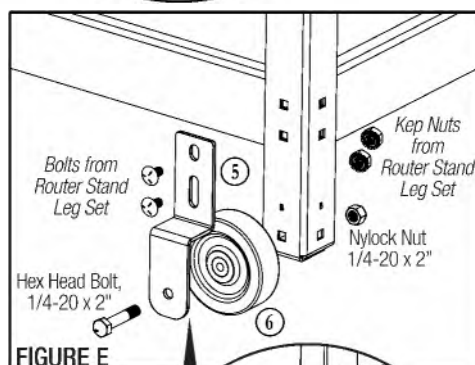
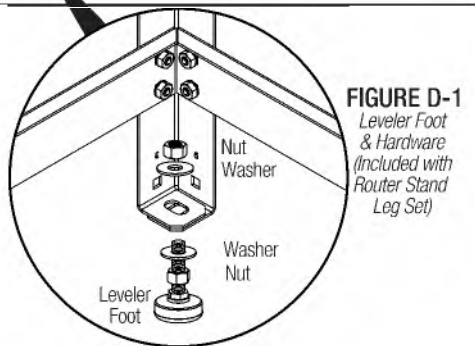
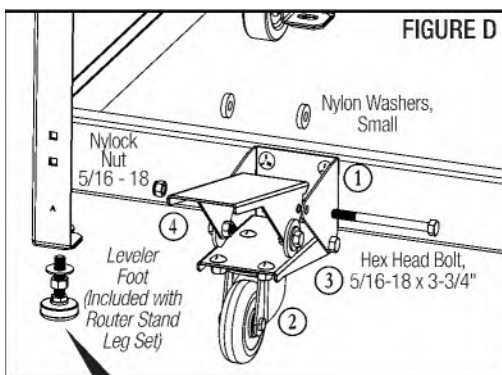
8. Install the Wheel Bracket using the bolts removed from the router stand leg set. DO NOT FULLY TIGHTEN the bolts.

9. Install a Hex Head Bolt (1/4-20 x 2") through the Wheel Bracket ⑤, Wheel ⑥ and the leg of the router stand. **Figure E.**

10. Install the Nylock Nut 1/4-20 on the Hex Head Bolt (1/4-20 x 2") from the inside of the leg of the router stand. Snug, but do not pinch the Wheel between the Wheel Bracket and leg of the router. The Wheel needs to spin freely.

11. While making sure that the Wheel remains parallel to the leg both vertically and horizontally, tighten the (2) bolts used to attach the Wheel Bracket to the leg. **Figure E-1.**

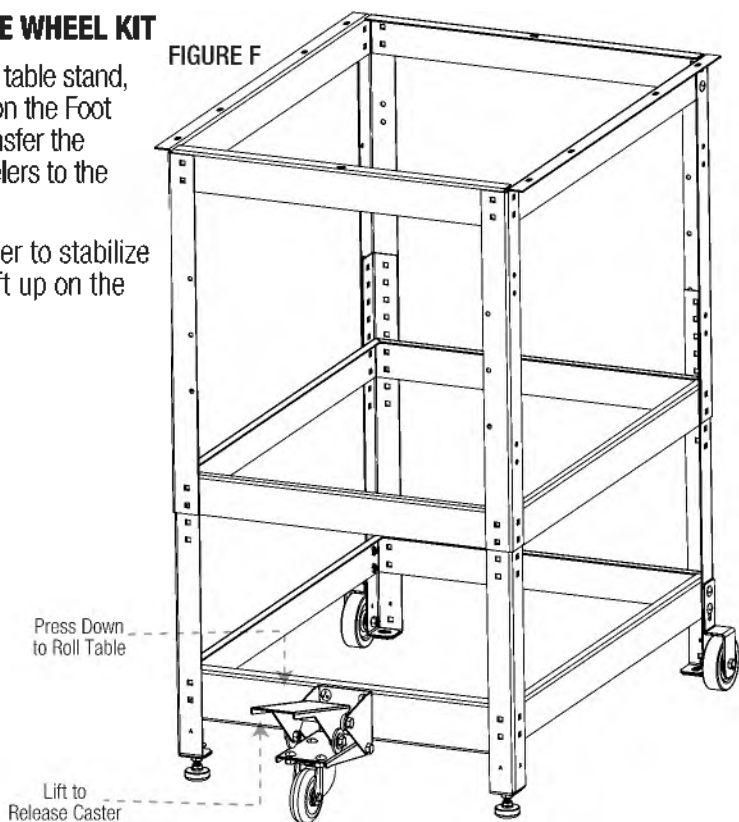
12. Repeat *Section I. Steps 7-11* for the opposite Wheel.



II. OPERATING THE WHEEL KIT

To move your router table stand, simply press down on the Foot Pedal which will transfer the weight from the levelers to the Caster. **Figure F.**

To release the Caster to stabilize the stand, simply lift up on the Foot Pedal.



Woodpeckers®

Woodpeckers, LLC Strongsville, Ohio

woodpeck.com

© 2022 Woodpeckers, LLC



woodpeck.com

At Woodpeckers we are constantly reviewing & improving our tools. The most current version of our instruction manuals are always available to download/print at woodpeck.com via the tool's page.

(Located in the bottom section of the tool page under the "Additional Information" or "Instructions" tabs.)



Woodpeckers®
eCLUB

Be the first to know all the new products & sales by subscribing to our eClub.

(Located at the top center of our webpage woodpeck.com.)



YouTube

Subscribe to our YouTube channel to stay up-to-date on all the latest tool tips & tricks.



Facebook & Instagram

Interact with us! Follow us on Facebook & Instagram!



WARNING! This product can expose you to chemicals, including chromium, which is known to the State of California to cause cancer and birth defects or other reproductive harm. For more information go to www.P65Warnings.ca.gov