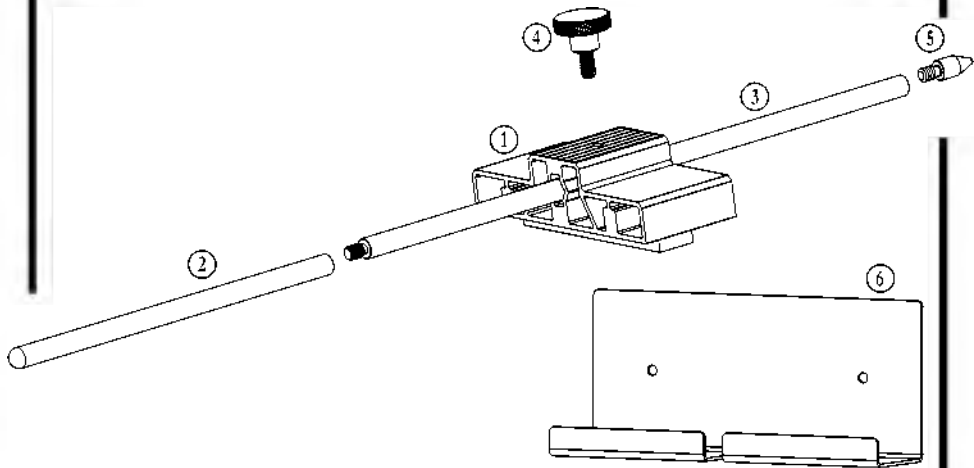


Woodpeckers[®]

SIMPLE SET FENCE GAUGE

O W N E R ' S M A N U A L



Physical reference tool for table saw blade and fence alignment.

DIAGRAM NUMBER	(QTY)	PART NAME
①	(2)	Simple Set Body
②	(2)	Short Rod
③	(2)	Long Rod
④	(2)	Lock Knob
⑤	(2)	Arrow Tip
⑥	(2)	Simple Set Rack-It™

HARDWARE BAG A

(4) Wood Screw 1"



Scan the QR code above to watch the video or visit woodpeck.com under the video tab towards the bottom of the product page.

If you think you're missing anything, email us at mailroom@woodpeck.com. You can also call us at 800-752-0725 from 9:00 a.m. to 4:00 p.m. EST Monday - Friday.

I. CHECKING TABLE SAW FENCE ALIGNMENT

1. Thread the Arrow Tip ⑤ onto the Long Rod ③. **FIGURE A.**

2. Slide the base of a Simple Set Body ① into the miter slot of your table saw.

3. Insert the assembled Long Rod and Arrow Tip into the Simple Set Body until the Arrow Tip comes in contact with your table saw fence.

4. Secure the Long Rod in place by tightening the Lock Knob ④.

5. Mark the position of the Arrow Tip on your table saw fence using a pencil. **FIGURE B.**

6. Slide the Simple Set Body down to the end of your table saw fence. **FIGURE C.**

NOTE: If your Simple Set binds up while sliding, that means your table saw fence is skewed inwards towards the blade. If this happens, begin by setting the Simple Set at the end of your table saw fence. Mark the position of the Arrow Tip once again and slide the Simple Set Assembly towards the front of your saw.

7. Insert another fully assembled Simple Set into your miter slot and align the Arrow Tip with the previous pencil mark. **FIGURE D.**

8. If there is a gap between the first Arrow Tip and table saw fence, then your fence is skewed left or right and adjustments must be made. Make adjustments to your fence until the fence comes in contact with both Arrow Tips.

FIGURE A.

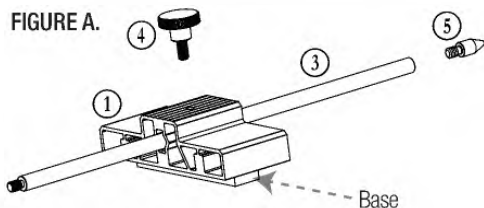


FIGURE B.

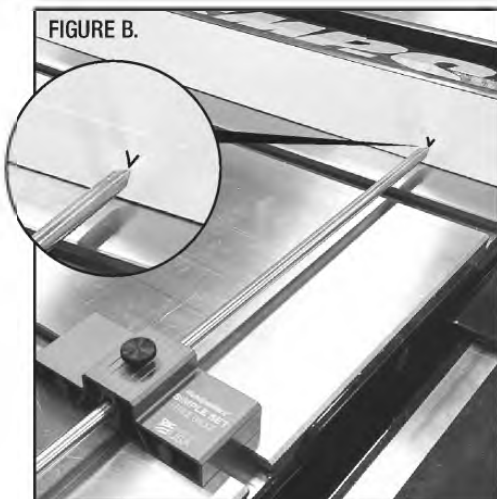


FIGURE C.

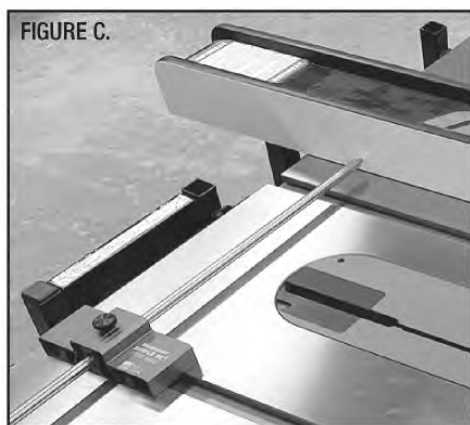
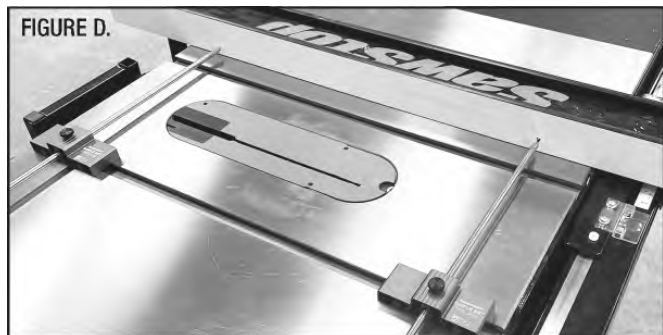


FIGURE D.



II. CHECKING SAW BLADE ALIGNMENT

1. Slide the base of a Simple Set Body ① into the miter slot of your table saw.

2. Thread the Arrow Tip ⑤ onto the Short Rod ②. **FIGURE E.**

3. Insert the Short Rod Assembly into the Simple Set Body until the Arrow Tip comes in contact with your table saw blade. Ensure that the tip is against the body of the blade and not the tooth. **FIGURE F.**

4. Secure the Short Rod in place by tightening the Lock Knob ④.

5. Make a mark with a pencil or marker where the Arrow Tip meets the blade.

6. Slide the Simple Set to the end of the blade. Rotate the blade so the mark lines up with the Arrow Tip. **FIGURE G.**

7. If there is a gap or binding between the Arrow Tip and the blade, adjust the table. Refer to your table saw owner's manual on how to make adjustments to your table saw.

FIGURE E.

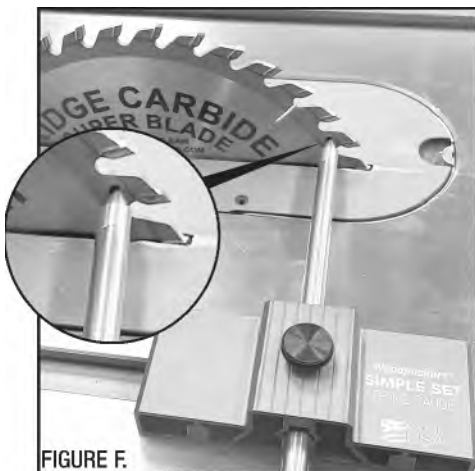
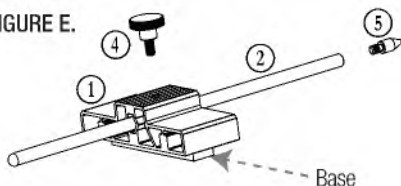


FIGURE F.



FIGURE G.

III. SAVING CRITICAL DIMENSIONS

1. You can use the Simple Set to record a critical cut that you need to be able to repeat.
2. Insert the fully assembled Simple Set into the miter slot. **FIGURE H.**
3. Slide the rod until the Arrow Tip comes in contact with your fence.
4. Lock it in position with the Lock Knob.
5. Take the Simple Set out of the miter slot. Use your saw for whatever alternating cut you need.
6. To come back to the previous dimension, insert the simple set and lock the fence in place when it comes in contact with the Arrow Tip.



FIGURE H.

IV. HANGING THE RACK-IT™

1. Use a level to position the Rack-It ⑥ plate on the wall. Insert the Wood Screws through the slotted holes and use a drill to secure the Rack-It to the wall. **FIGURE I.**

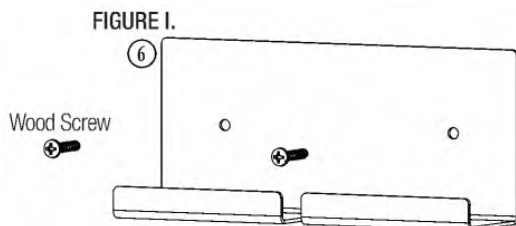


FIGURE I.

Woodpeckers®

Woodpeckers, LLC Strongsville, Ohio

woodpeck.com

© 2023 Woodpeckers, LLC



woodpeck.com

At Woodpeckers we are constantly reviewing & improving our tools. The most current version of our instruction manuals are always available to download at woodpeck.com.

(located in the bottom section of the tool's page under the "Additional Information" or "instructions" tabs.)



Be the first to know all the new products, *OneTime Tools* & sales by subscribing to our eClub. *(located at the top center of our webpage woodpeck.com.)*



Subscribe to our YouTube channel to stay up-to-date on all the latest tool tips & tricks.



INTERACT WITH US! Follow us on Facebook, Instagram & TikTok!



Enjoy shop tips, project ideas, tool techniques & more in our Woodworking Resource Center/Blog. *(located at the bottom center of our webpage woodpeck.com.)*



WARNING! This product can expose you to chemicals, including chromium, which is known to the State of California to cause cancer and birth defects or other reproductive harm. For more information go to www.P65Warnings.ca.gov