

Woodpeckers®

45/90 COMBO-T

OWNER'S MANUAL

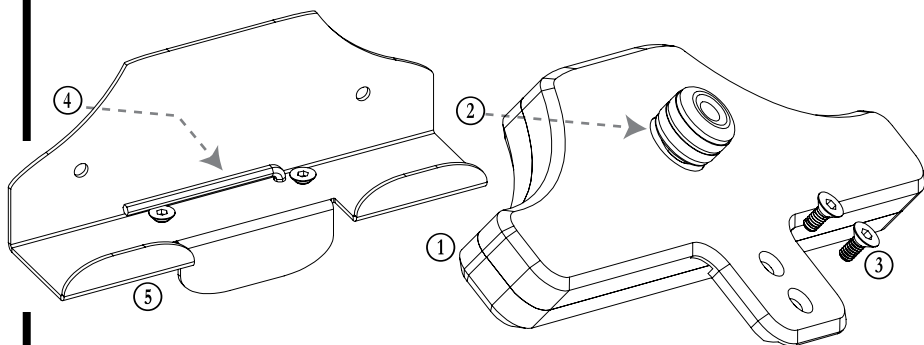


DIAGRAM NUMBER	(QTY)	PART NAME
①	(1)	45/90 Combo-T (2 Heads)
②	(1)	Adjustment Knob
③	(2)	Hex Screws, 8/32"
④	(1)	Hex Key, 1/8"
⑤	(1)	Rack-It™
N/A	(2)	Screws, 1" - #8



Scan the QR code above to watch the video or visit woodpeck.com under the video tab towards the bottom of the product page.

If you think you're missing anything, email us at mailroom@woodpeck.com. You can also call us at 800-752-0725 from 9:00 a.m. to 4:00 p.m. EST Monday - Friday.

Woodpeckers®

Woodpeckers, LLC Strongsville, Ohio
woodpeck.com
© 2022 Woodpeckers, LLC



woodpeck.com

At Woodpeckers we are constantly reviewing & improving our tools. The most current version of our instruction manuals are always available to download at woodpeck.com. (Located in the bottom section of the tool's page under the "Additional Information" or "Instructions" tabs.)



Be the first to know all the new products, **OneTIME Tools** & sales by subscribing to our eClub. (Located at the top center of our webpage woodpeck.com.)



Subscribe to our YouTube channel to stay up-to-date on all the latest tool tips & tricks.



INTERACT WITH US! Follow us on Facebook, Instagram & TikTok!



Enjoy shop tips, project ideas, tool techniques & more in our Woodworking Resource Center/Blog. (Located at the bottom center of our webpage woodpeck.com.)

REV081122



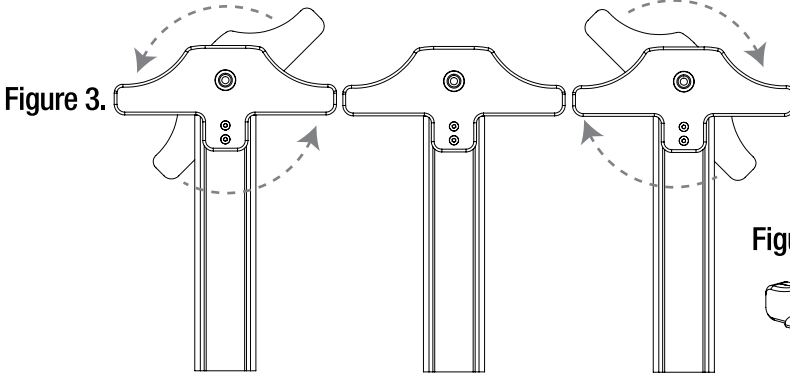
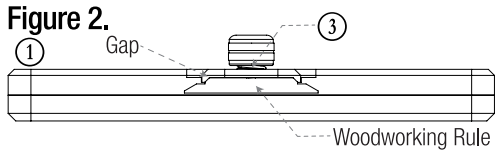
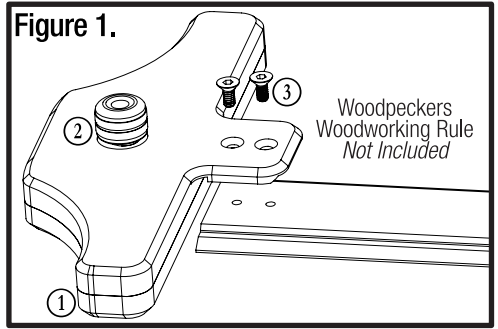
WARNING! This product can expose you to chemicals, including chromium, which is known to the State of California to cause cancer and birth defects or other reproductive harm. For more information go to www.P65Warnings.ca.gov

I. INSTALLATION

The 45/90 Combo-T can be installed on any of the Woodpecker Woodworking Rules *Not included* with the exception of the 6" size.

1. Install the 45/90 Combo-T ① on your preferred Woodworking Rule by first aligning the two threaded holes on the end of the rule where the scale begins, with the (2) countersunk holes on the 45/90. **Figure 1.**
2. Secure the 45/90 to the rule using the included (2) Hex Screws ③ and Hex Key ④.

NOTE: The Woodworking Rule should NOT touch the 45/90, a gap will remain. Only the angles meet. Do not over-tighten the Hex Screws. **Figure 2.**



II. ADJUSTING FROM 90° TO 45°

1. Loosen the Adjustment Knob ②.
2. Using one hand, place all four fingers on the back of the rule for leverage and depress the Adjustment Knob with your thumb until the two heads of the 45/90 separate.
3. Use your other hand to rotate the rear head to the left or right until the indexing pins align and the two heads snap back together to become one. **Figure 3.**
4. Secure the head in place by tightening the Adjustment Knob.

III. STORAGE

- Use the provided Screws to mount the Rack-It™ ⑤ (wall anchors are suggested when mounting to sheet rock).
- The 45/90 Combo-T can be stored on the wall-mountable Rack-It both with or without a Woodworking Rule installed on it. **Figures 4 & 4-A.**
- The Hex Key ④ stores conveniently in the Rack-It. **Figure 5.**

