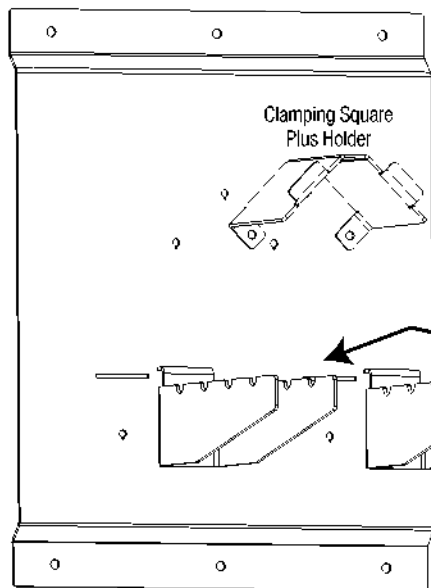


Woodpeckers®

CSP CLAMP RACK-IT™

O W N E R ' S M A N U A L

Main Mounting Bracket



QTY

- (1) Main Mounting Bracket
- (1) Clamping Square Plus Holder
- (2) CSP Clamp Holders
- (5) 10-32 x 3/8" Thread-Forming Hex Head With Slot Screws
- (6) #8 - 1" Wood Screws

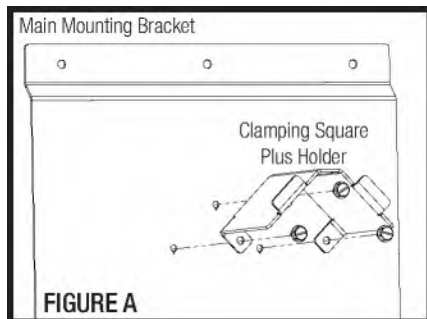
The **CSP Clamp Rack-It** is a simple solution to store all your Clamping Squares Plus and CSP Clamps.

If you think you're missing anything, email us at mailroom@woodpeck.com. You can also call us at 800-752-0725 from 9:00 a.m. to 4:00 p.m. EST Monday - Friday.

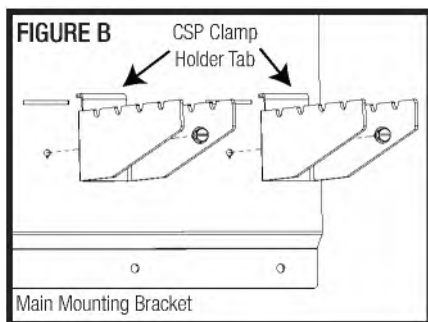
NOTE: In some cases, it may be beneficial to mount the Main Mounting Bracket to the wall prior to attaching the additional components

ASSEMBLING THE CSP CLAMP RACK-IT

1. Place the Clamping Square Plus Holder so the holes line up with the pattern on the Main Mounting Bracket.
2. Start the top middle self-threading screw, but do not tighten. Then start the remaining two screws. Once all screws are started, tighten each one. **FIGURE A.**



3. Insert the tab on the CSP Clamp Holder into a slot on the Main Mounting Bracket. **FIGURE B.**
4. Line up the hole and insert the self-threading screw. With the CSP Clamp Holder in place, tighten the screw.
5. Repeat steps 3-4 for the other CSP Clamp Holder.



MOUNTING THE CSP CLAMP RACK-IT

1. Locate the CSP Clamp Rack-It on a solid mounting area such as a stud or wood wall.
2. Using CSP Clamp Rack-It as a template, mark the location of the top center hole on the Main Mounting Bracket. **FIGURE C.**
3. Drill a pilot hole for a #8 wood screw. (1/8" pilot hole size for softwood / 13/64" pilot hole size for hardwood)
4. Align the center top-hole of the Main Mounting Bracket and thread the #8 wood screw into the pilot hole.
5. Hold the CSP Clamp Rack-It in place and mark the remaining hole locations being used according to mounting space. (Suggest using a level to insure it is plumb and level).
 - A. If you are mounting on a stud, use the center top and center bottom holes.
 - B. If you are mounting on a wood wall, use all top and bottom holes.
6. Remove screw and CSP Clamp Rack-It and drill all remaining pilot holes.
7. Align CSP Clamp Rack-It top and bottom holes with all pilot holes. Install all screws loosely at first until all are started. Then tighten all.
8. Place your CSP Clamps and Clamping Squares Plus on Rack-It. **FIGURE D.**

FIGURE C

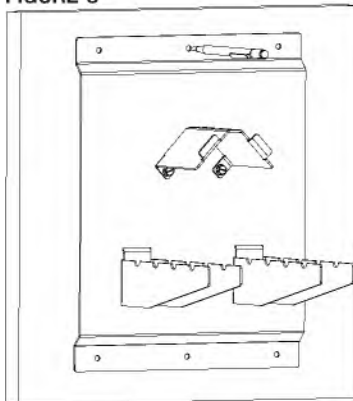
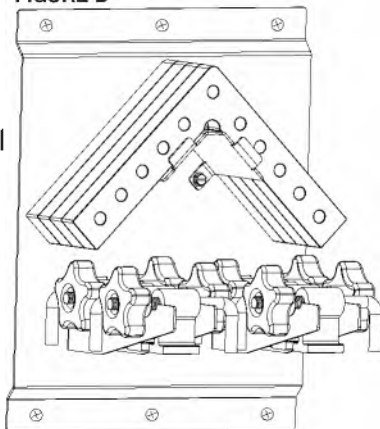


FIGURE D



Woodpeckers®

PRECISION WOODWORKING TOOLS

Woodpeckers, LLC Strongsville, Ohio · [woodpeck.com](http://www.woodpeck.com)

© 2023 Woodpeckers, LLC



WARNING! This product can expose you to chemicals, including chromium, which is known to the State of California to cause cancer and birth defects or other reproductive harm. For more information go to www.P65Warnings.ca.gov