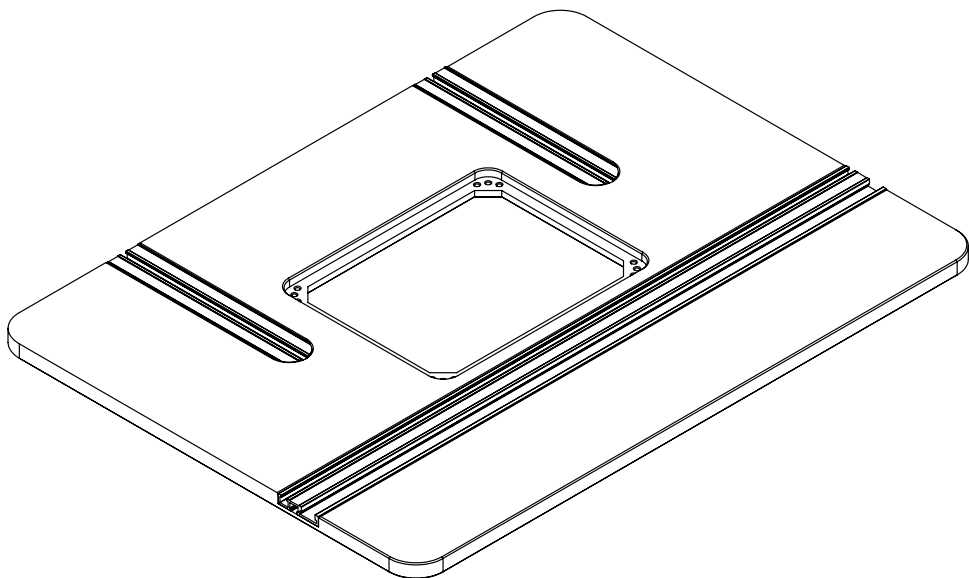


Woodpeckers[®]

PHENOLIC ROUTER TABLE

O W N E R ' S M A N U A L



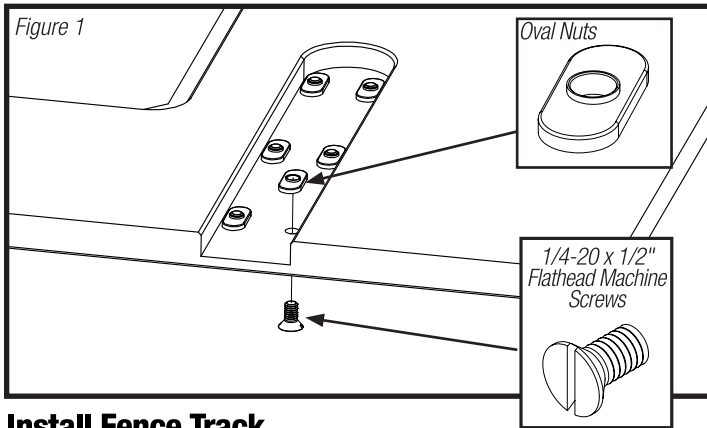
Two sizes are available of the **Woodpeckers Phenolic Router Table**, 24" x 32" nominal and 27" x 43" nominal. Both tables are 3/4" thick with a low friction, wear resistant surface on each face. These router tables are not affected by humidity, heat or even water.

Each table is pre-drilled with threaded holes for attaching to our steel router table stands. (Router Table Stand #RTS2027 fits the #RT2432-PH Router Table and the #RTS2037 fits the #RT2743-PH Router Table.)

The router plate opening is 9-1/4" x 11-3/4" by just over 3/8" deep with 3/4" radius corners making it compatible with most standard router mounting plates and lifts.

The opening itself is offset from the front edge by 13" for the 24" x 32" router table and 16-1/2" for the 27" x 43" table. In each case you'll have plenty of room for maneuvering raised panels, case work, molding and any other routing projects.

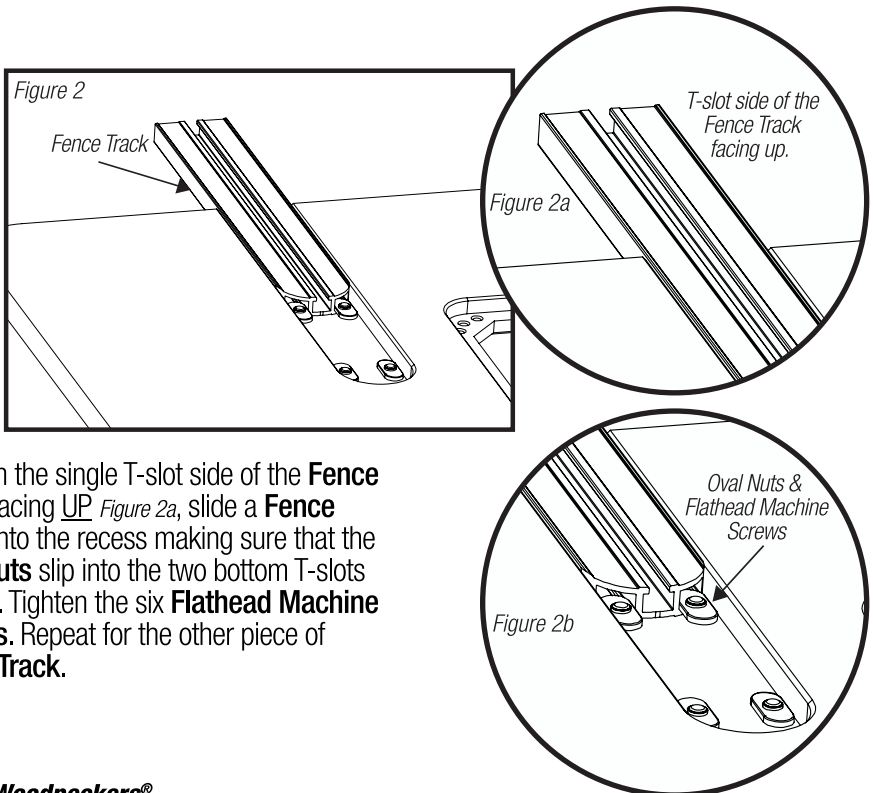
If you think you're missing anything, email us at mailroom@woodpeck.com.
You can also call us at 800-752-0725 from 9:00 a.m. to 5:00 p.m. EST Monday - Friday.



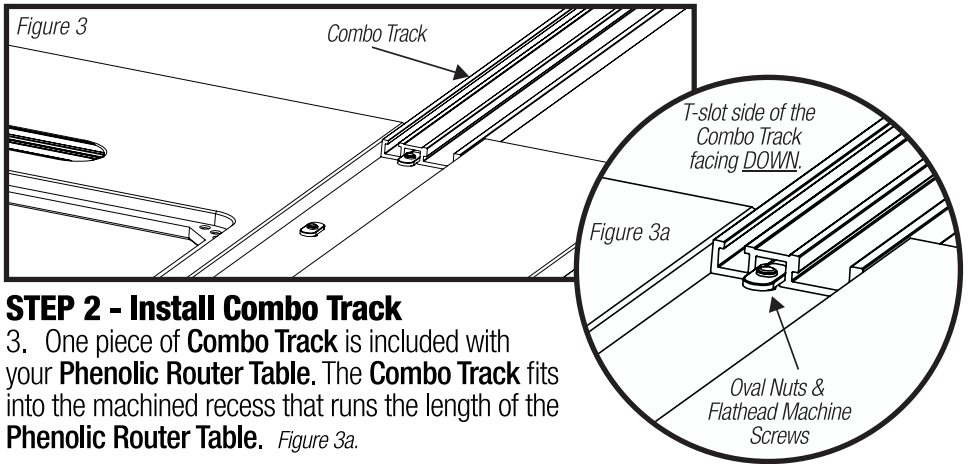
STEP 1 - Install Fence Track

1. Two pieces of **Fence Track** are included with your **Phenolic Router Table**. The **Fence Tracks** fit into the machined recesses with the rounded end. *Figure 1.*

Place an **Oval Nut**, smooth side down, aligned with one of the holes in the machined recess. From underneath the table, insert a **Flathead Machine Screw** through the table and thread loosely onto the **Oval Nut**. Repeat for all holes in each recess.



2. With the single T-slot side of the **Fence Track** facing **UP** *Figure 2a*, slide a **Fence Track** into the recess making sure that the **Oval Nuts** slip into the two bottom T-slots *Figure 2b*. Tighten the six **Flathead Machine Screws**. Repeat for the other piece of **Fence Track**.



STEP 2 - Install Combo Track

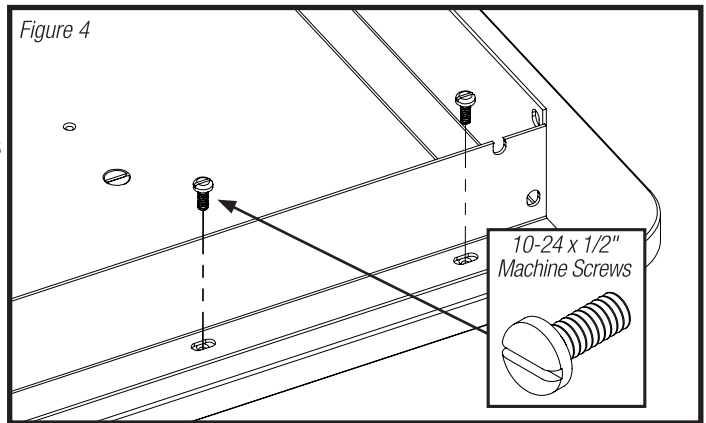
3. One piece of **Combo Track** is included with your **Phenolic Router Table**. The **Combo Track** fits into the machined recess that runs the length of the **Phenolic Router Table**. *Figure 3a.*

Place an **Oval Nut**, smooth side down, aligned with one of the holes in the machined recess. From underneath the table, insert a **Flathead Machine Screws** through the table and thread loosely onto the **Oval Nut**. Repeat for all holes in the recess.

4. With the single T-slot side of the **Combo Track** facing **DOWN** *Figure 3*, slide the **Combo Track** into the recess making sure that the **Oval Nuts** slip into the bottom T-slot. Tighten all **Flathead Machine Screws**.

STEP 3 - Attaching to a Router Table Stand

5. The **Woodpeckers Phenolic Router Table** easily attaches to the **Woodpeckers steel router table stand**. The bottom of the table is pre-drilled and tapped for **10-24 x 1/2" Machine Screws**. *Figure 4.*



For other brands of stands or a shop built stand drill & tap the **Phenolic Router Table** as needed, being careful not to drill completely through the table.

Woodpeckers[®]

PRECISION WOODWORKING TOOLS

Woodpeckers, Inc. Strongsville, Ohio · 800-752-0725 · ***woodpeck.com***

© 2020 Woodpeckers, Inc.

California Proposition 65 WARNING: This product may contain one or more chemicals known to the State of California to cause cancer and birth defects or other reproductive harm. Wash hands after handling.