

Woodpeckers[®]

WHEEL KIT | WHEELKIT-BLK

OWNER'S MANUAL

Leg Set Not Included.



(QTY) PART NAME

- (1) Foot Pedal Mounting Bracket
- (1) Swivel Caster
- (1) Caster Bracket
- (1) Foot Pedal
- (2) Wheel Bracket
- (2) Wheel

(QTY) PART NAME

- (2) 5/16-18 x 2 Hex Head Bolt
- (2) 5/16-18 x 3-3/4 Hex Head Bolt
- (6) 5/16-18 x 1/2 Hex Head Bolt
- (6) 5/16-18 Hex Nut
- (4) 5/16-18 Hex Nylock Nut
- (8) 5/16 Flat Washer
- (8) 1/4-20 x 3/4 Hex Head Bolt
- (8) 1/4 Flat Washer
- (8) 1/4-20 Hex Nuts
- (8) 1/4 Lock Washer
- (2) Large Nylon Washer
- (2) Small Nylon Washer

If you think you're missing anything, email us at mailroom@woodpeck.com.
You can also call us at 800-752-0725 from 9:00 a.m. to 4:00 p.m. EST Monday - Friday.

1. One end of your router table stand has a brace with four holes. Use four 1/4-20 x 3/4 Hex Bolts, 1/4 Flat Washers, 1/4 Lock Washers and 1/4-20 Hex Nuts to attach the Foot Pedal Mounting Bracket. **Figures A & A-1.**

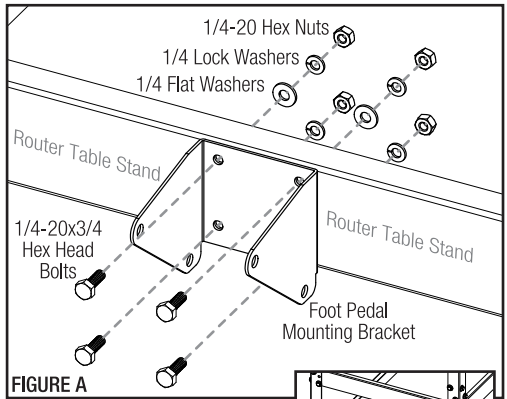


FIGURE A

2. Use four 5/16-18 x 1/2 Hex Bolts and 5/16-18 Hex Nuts to attach the Swivel Caster to the Caster Bracket. *Do not use any washers.* **Figure B.**

3. Use one 5/16-18 x 3-3/4 Hex Bolt and one 5/16-18 Hex Nylock Nut to attach the Caster Bracket to the Foot Pedal Mounting Bracket. **DO NOT OVER TIGHTEN.** Tighten the Nylock Nut until it just begins to touch the brackets. The Caster Bracket must pivot freely. *Nylock Nuts have a protrusion on one side and self tighten as they are installed.* **Figure C.**

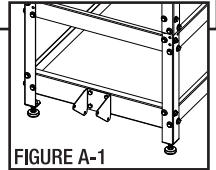


FIGURE A-1

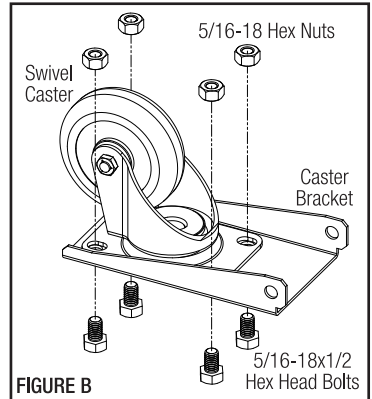


FIGURE B

4. To assemble the Foot Pedal, attach one Large Nylon Washer to each side of the Foot Pedal. **Figure D.** Use a 5/16-18 x 1/2 Hex Head Bolt, 5/16 Flat Washer and Large Nylon Washer from the outside of the Foot Pedal and a 5/16-18 Hex Nut from the inside of the Foot Pedal.

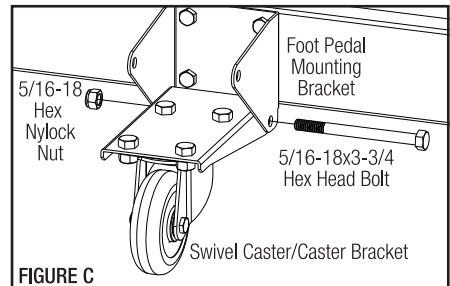


FIGURE C

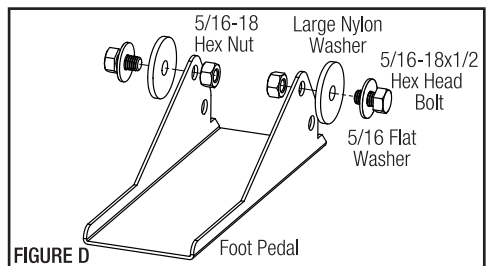


FIGURE D

5. To install the Foot Pedal use the remaining 5/16-18 x 3-3/4 Hex Head Bolt, two Small Nylon Washers and a 5/16-18 Hex Nylock Nut.

Figures E & E-1.

IMPORTANT! The two Nylon Washers must be inserted between each side of the Pedal and the inside of the Foot Pedal Mounting Bracket. DO NOT FULLY TIGHTEN the Nylock Nut. The Pedal must move up and down freely.

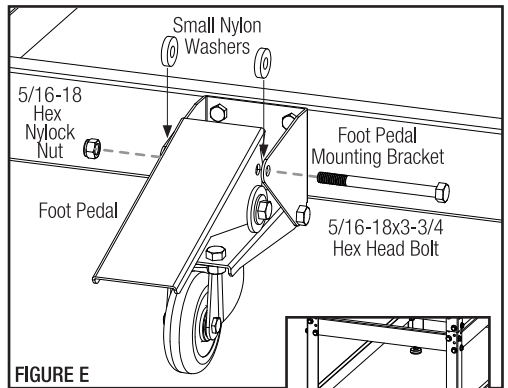


FIGURE E

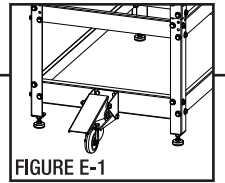


FIGURE E-1

6. Both levelers from the end of the stand opposite the Foot Pedal need to be removed. The levelers will interfere with installation and operation of the Wheels. **Figures F & F-1.**

7. The Wheel Brackets will use the already installed bolts connecting the long bottom brace to the leg. (Extras provided should they be damaged). Begin by removing the two bolts, washers and nuts from one leg.

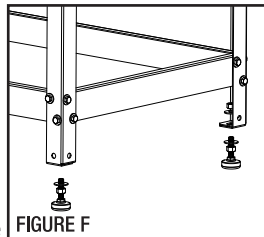


FIGURE F

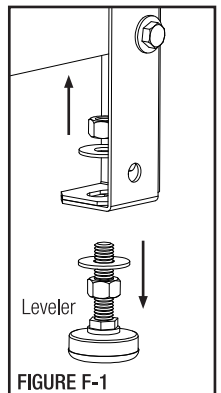


FIGURE F-1

8. Install the Wheel Bracket using the bolts removed from the router table leg. Do not fully tighten the two bolts. **Figures G & G-1.**

9. Use one 5/16-18 x 2 Hex Head Bolt through the Wheel Bracket, Wheel and the leg. **Figure G**

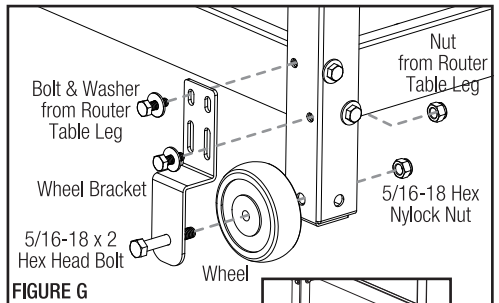


FIGURE G

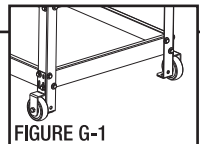


FIGURE G-1

10. Install the 5/16-18 Hex Nylock Nut on the 5/16-18 x 2 Hex Head Bolt from the inside of the leg. Do not pinch the Wheel between the Wheel Bracket and leg of the router. The Wheel needs to spin freely.

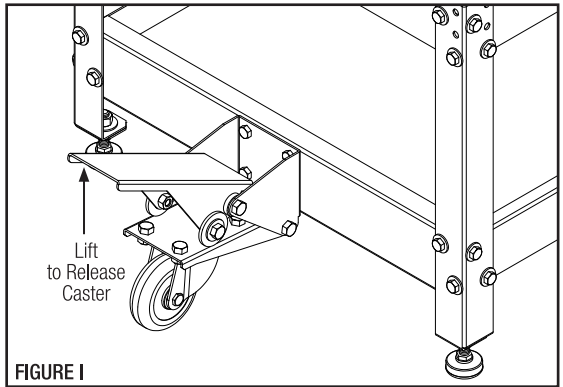
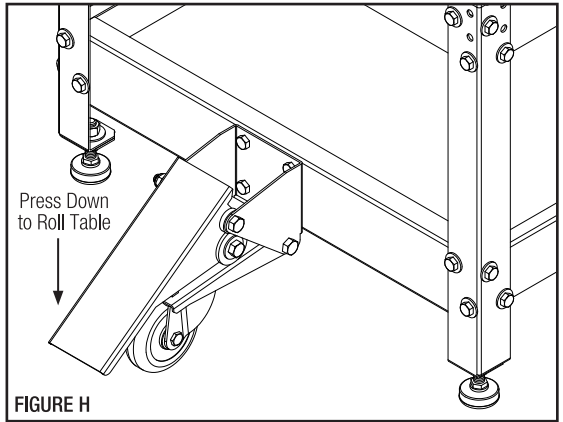
While making sure that the Wheel remains parallel to the leg both vertically and horizontally, tighten the two bolts used to attach the Wheel Bracket to the leg.

11. Repeat this step for the opposite Wheel.

OPERATING THE WHEEL KIT

To move your router table stand, simply press down on the Foot Pedal which will transfer the weight from the levelers to the Caster. **Figure H.**

To release the Caster, simply lift up on the Foot Pedal. **Figure I.**



Woodpeckers®

PRECISION WOODWORKING TOOLS

Woodpeckers, LLC Strongsville, Ohio · [woodpeck.com](http://www.woodpeck.com)

© 2021 Woodpeckers, LLC

REV021720



WARNING! This product can expose you to chemicals, including chromium, which is known to the State of California to cause cancer and birth defects or other reproductive harm. For more information go to www.P65Warnings.ca.gov