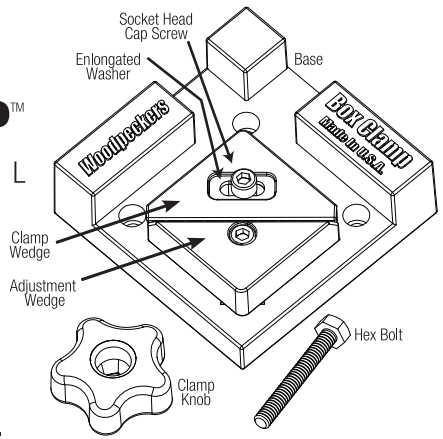


Woodpeckers®

BC4-M2 BOX CLAMP™

OWNER'S MANUAL



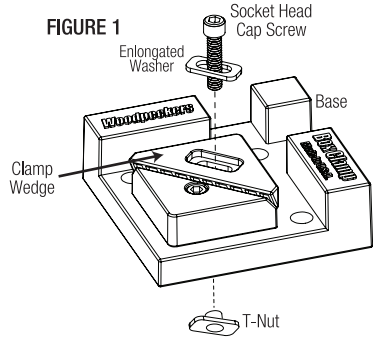
The Woodpeckers BC4-M2 Box Clamp™ is designed for squaring up boxes, drawers and cabinets. It can be set up to hold material of the same thickness, or adjusts easily for up to 1/4" difference between sides.

The Box Clamp can be used in “Fixture” or “Hand Clamp” mode. In both cases the clamp works by wedging the material into the fixed stops of the base. In Hand Clamp mode, you’ll use a knob from the backside of the clamp. In Fixture mode you’ll tighten the clamp using a socket head cap screw and hex key from the top.

If you think you’re missing anything, email us at mailroom@woodpeck.com. You can also call us at 800-752-0725 from 9:00 a.m. to 5:00 p.m. EST Monday - Friday.

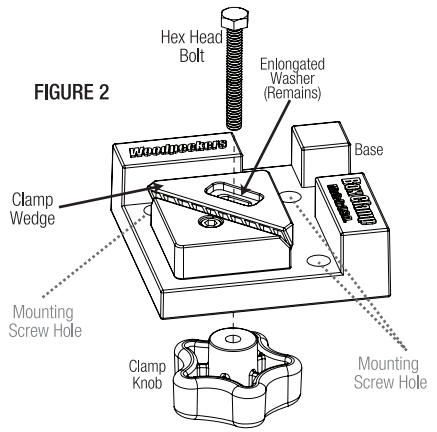
FIXTURE MODE

Your Box Clamp is shipped in “Fixture Mode,” meaning the Socket Head Cap Screw and Elongated Washer are in the Clamp Wedge, threaded into an T-Nut on the bottom of the Base. *Figure 1*



HAND CLAMP MODE

To convert to “Hand Clamp Mode,” remove the Socket Head Cap Screw and the T-Nut that secure the Clamp Wedge. Replace with the Hex Head Bolt and Clamp Knob, placing the Clamp Knob on the bottom. Be sure that the Elongated Washer and the Springs underneath remain in place. *Figure 2*



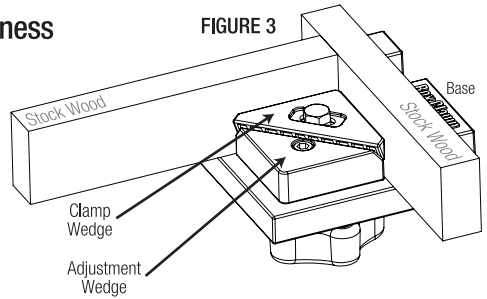
NOTE: There are three screw holes in the base of the Box Clamp which are there in the event you choose to attach the Box Clamp to a fixture.

USING THE BOX CLAMP

1. Set Adjustment Wedge to Board Thickness

Make sure both the Clamp Wedge and the Adjustment Wedge are loose enough to move. Place your stock into the Base of the Box Clamp. Slide the Wedges into the corner against your stock, lifting the Clamping Wedge slightly above the Base. Lock the Adjustment Wedge. If there's a difference in stock thickness, slide the Clamping Wedge laterally so it contacts both workpieces.

Figure 3



2. Lock the Clamping Wedge

With either the Clamp Knob or the Socket Head Cap Screw, tighten the Clamping Wedge, which will force the stock against the fixed stops on the Base.

GENERAL NOTES

It's not necessary to over tighten the Clamping Wedge. If it seems like there isn't enough clamping pressure or if the Clamping Wedge bottoms out, you need to move the Adjustment Wedge further into the corner.

That will require loosening the Clamping Wedge and the Adjustment Wedge and moving both, lifting the Clamping Wedge a bit higher.

There are teeth in the bottom of the Adjustment Wedge that lock into the Base. Anytime you want to move the Adjustment Wedge, you need to pick it up slightly.

The bottom of the Clamp Wedge has two Springs installed. Make sure they don't fall out. They're necessary for proper operation.

Upon loosening the Clamping Wedge, if your workpieces don't come out, tap up on the bottom of one of the boards so the Clamp Wedge will release.

Woodpeckers®

PRECISION WOODWORKING TOOLS MADE IN USA
Woodpeckers, LLC Strongsville, Ohio · woodpeck.com

© 2019 Woodpeckers, LLC

REV013119



WARNING! This product can expose you to chemicals, including bisphenol, which is known to the State of California to cause cancer and birth defects or other reproductive harm. For more information go to www.P65Warnings.ca.gov