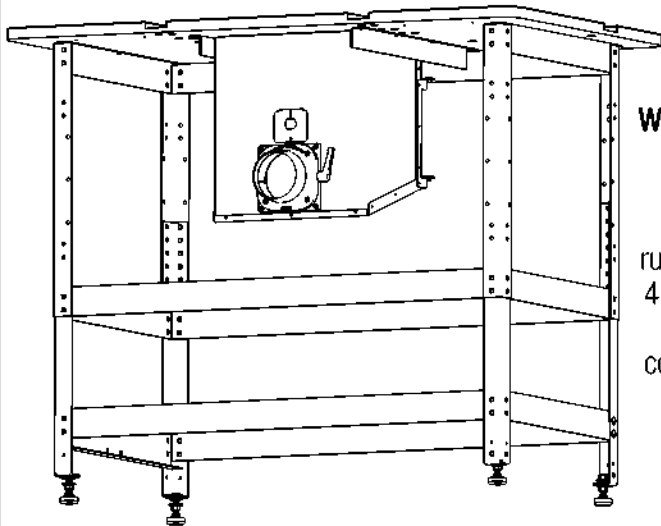


Woodpeckers®

DOWNDRAFT DUST CABINET

OWNER'S MANUAL



Woodpeckers Downdraft Dust Cabinet

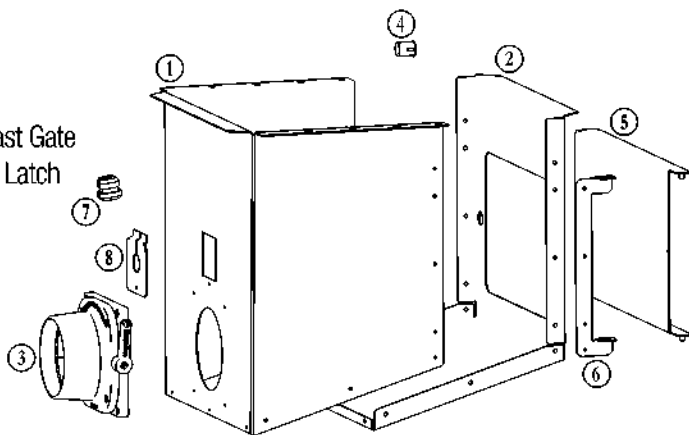
keeps your workshop clean and your router running cool. The included 4" Full Throttle Blast Gate will maintain your collection efficiency when your router table is not in use.

If you think you're missing anything, email us at mailroom@woodpeck.com.

You can also call us at 800-752-0725 from 9:00 a.m. to 4:00 p.m. EST Monday - Friday.

DIAGRAM NUMBER	PART NAME
----------------	-----------

- | | |
|---|--------------------------|
| ① | Rear Section |
| ② | Front Section |
| ③ | Full Throttle Blast Gate |
| ④ | Magnetic Door Latch |
| ⑤ | Access Door |
| ⑥ | Door Hinge |
| ⑦ | Strain Relief |
| ⑧ | Cord Clamp |



HARDWARE INCLUDED:

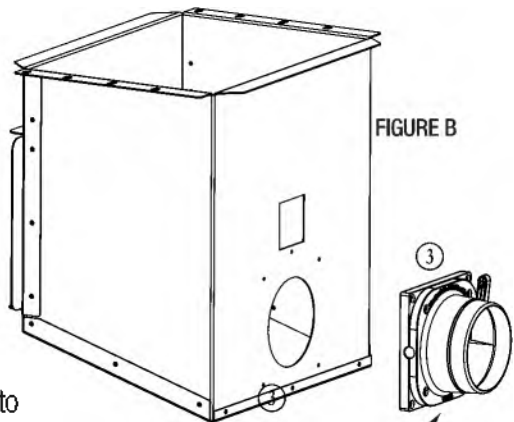
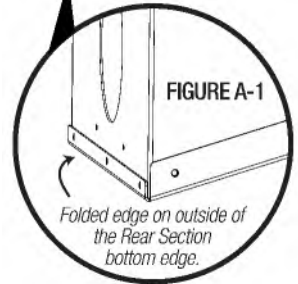
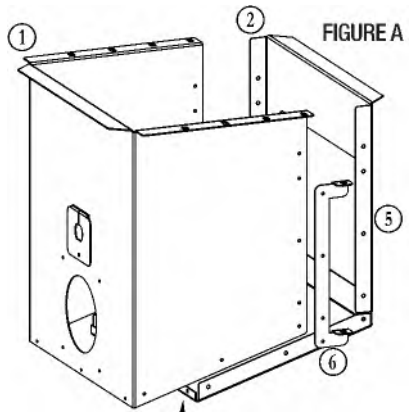
- (17) Sheet Metal Screws #8 x 3/8"
- (4) Machine Screws 10-24 x 1/2"
- (6) Washers #10
- (1) Machine Screw 8-32 x 3/8"
- (4) Sheet Metal Screw #8 x 5/8"

1. Align the Rear Section ① so the Door Hinge ⑥ tabs line up with the slots in the folded edge of the Front Section ②. **FIGURE A**

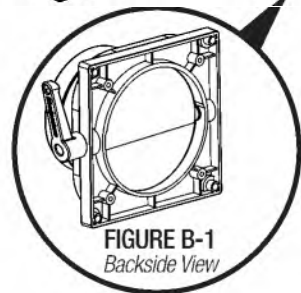
2. Slide the Rear Section into the Front Section ensuring all folded edges of the Front Section are on the outside, including the back bottom edge.

FIGURE A-1.

3. Screw the folded edges of the Front Section to the Rear Section with the (17) Sheet Metal Screws.



4. Secure the Full Throttle Blast Gate ③ to the Rear Section with (4) Sheet Metal Screws #8-5/8". **FIGURES B & B-1.**



5. Snap the Magnetic Door Latch (4) into the slot in the Front Section. *FIGURE C.*

6. Drop the door pins of the Access Door (5) into the hinge flanges. *FIGURE C-1.*

FIGURE C

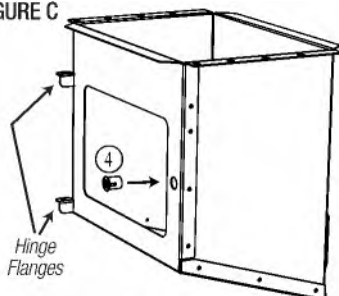


FIGURE C-1

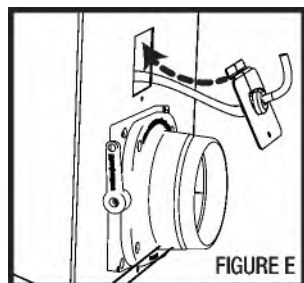
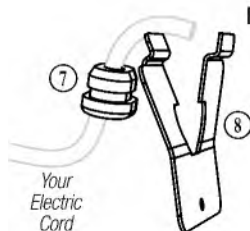


7. Place the Strain Relief (7) onto your electric cord. Position it so the electric cord has a little slack inside the Downdraft Dust Cabinet. *FIGURE D.*

8. Spread the two halves of the Cord Clamp (8) apart just enough to slip the Strain Relief in, then bring the Cord Clamp back to the flat position.

9. Slide the bent flange of the Cord Clamp inside the Cabinet and secure with an 8-32 Machine-Screw. *FIGURE E.*

FIGURE D



CAUTION: It is important to always use your Dust Collector once the cabinet is installed. Accumulated chips and saw dust could cause your router to over-heat.

10. Remove the support braces from the underside of the router table.

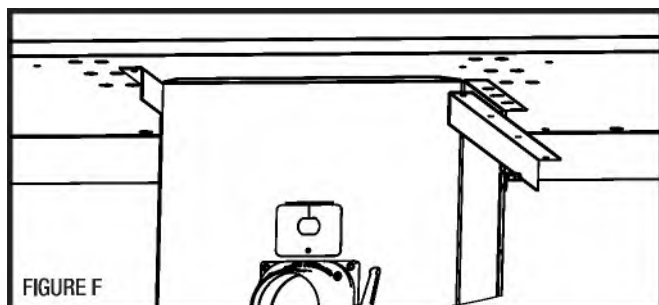
10a. If installing the Downdraft Dust Cabinet onto a 27" x 43" Woodpeckers Router Table:

When you center the Downdraft Dust Cabinet on the router plate opening, the third hole from the front of the cabinet will line up with the third hole from the front in the support braces. Install a 10-24 x 1/2" machine screw through the support brace and the flange of the cabinet and into the router table. Re-install the 10-24 x 1/2" machine screws in the remaining three holes in the support brace using the washers (provided with the Downdraft Dust Cabinet) as spacers between the brace and the table.

10b. If installing the Downdraft Dust Cabinet onto a 24" x 32" Woodpeckers Router Table:

When you center the Downdraft Dust Cabinet on the router plate opening, the first hole from the front of the cabinet will line up with the second hole in the support braces and the last hole on the cabinet will line up with the third hole in the support brace. Install a 10-24 x 1/2" machine screw through the support brace and the flange of the cabinet and into the router table. The remaining two holes in the support brace will now need the provided washers as spacers between the brace and the table.

11. For both, install the screws in alternating fashion (front to back and side to side). Install loosely at first and tighten in the same alternating pattern. **FIGURE F**



Woodpeckers®

Woodpeckers, LLC Strongsville, Ohio

woodpeck.com

© 2023 Woodpeckers, LLC



woodpeck.com

At Woodpeckers we are constantly reviewing & improving our tools. The most current version of our instruction manuals are always available to download at woodpeck.com.

(Located in the bottom section of the tool's page under the "Additional Information" or "Instructions" tabs.)

eCLUB

Be the first to know all the new products, OneTIME Tools & sales by subscribing to our eClub. *(Located at the top center of our webpage woodpeck.com.)*

YouTube

Subscribe to our YouTube channel to stay up-to-date on all the latest tool tips & tricks.

f i d

INTERACT WITH US! Follow us on Facebook, Instagram & TikTok!

KNOTHOLE

Enjoy shop tips, project ideas, tool techniques & more in our Woodworking Resource Center/Blog. *(Located at the bottom center of our webpage woodpeck.com.)*



WARNING! This product can expose you to chemicals, including chromium, which is known to the State of California to cause cancer and birth defects or other reproductive harm. For more information go to www.P65Warnings.ca.gov