

# Woodpeckers<sup>®</sup>

## DP-PRO DRAWER BASE

### OWNER'S MANUAL

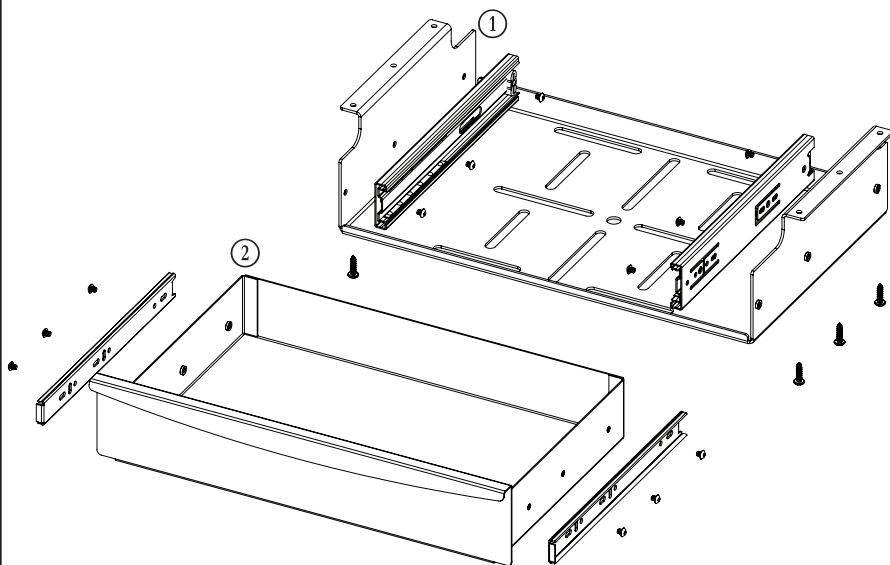


DIAGRAM	(QTY)	PART NAME
①	(1)	Drawer Base
②	(1)	Drawer

#### HARDWARE BAG C

C-1	(12)	8-32 x 3/16" Panhead Screw
C-2	(2)	Drawer Slide (includes Drawer Slide Extension)
C-3	(6)	#10 Panhead Phillips Wood Screw

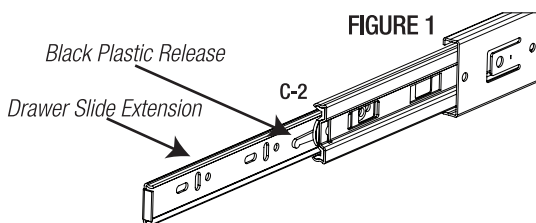
#### HARDWARE BAG D NOT SHOWN Drawer Base Mounting to a Drill Press

D-1	(4)	5/16-18 Large Rectangular Nut
D-2	(4)	5/16-18 x 3/4" Hex Bolt
D-3	(4)	5/16-18 x 1-1/4" Hex Bolt
D-4	(4)	5/16-18 Hex Nut
D-5	(4)	5/16 Washer
D-6	(4)	1/4-20 Rectangular Nut
D-7	(4)	1/4-20 x 3/4" Hex Bolt
D-8	(4)	#10 x 3/8" Phillips Flathead Wood Screw

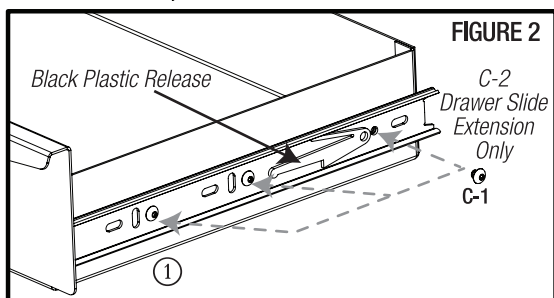
If you think you're missing anything, email us at [mailroom@woodpeck.com](mailto:mailroom@woodpeck.com).  
You can also call us at 800-752-0725 from 9:00 a.m. to 5:00 p.m. EST Monday - Friday.

## ASSEMBLY

1. Remove the C-2 Drawer Slide Extension by flexing the end of the Black Plastic Release up or down in direction and pulling away from the Drawer Slide. **Figure 1.**

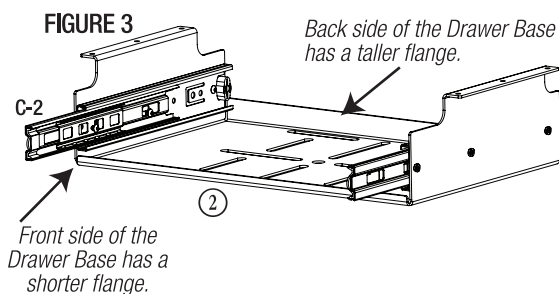


2. Using (3) C-1 Pan Head Screws, attach the Drawer Slide Extension to the Drawer. **NOTE:** Use only the round holes on the Drawer Slide Extension.) **Figure 2.**

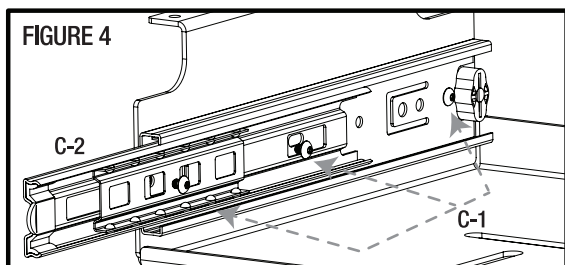


3. Repeat steps 1 & 2 for the other side of the Drawer.

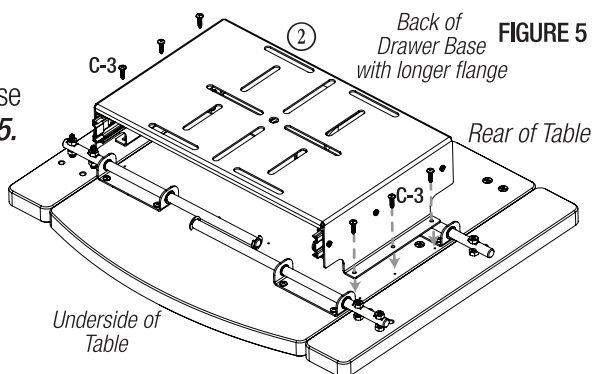
4. Attach the C-2 Drawer Slide to the ① Drawer Base using the (3) C-1 Pan Head Screws. The back of the Drawer Slide has a Black Bumper at the end. The Black Bumper end of the Drawer Slide should be at the back side of the Drawer Base. **NOTE:** Use only the round holes on the Drawer Slide.) **Figures 3/4.**



5. Repeat step 4 for the other side of the Drawer Base.



6. Attach the ① Drawer Base to the underside of the table using (3) Panhead Phillips Wood Screws through each side of the Drawer Base into the Table. **NOTE:** Be certain the back of the Drawer Base is at the rear of the Table. **Figure 5.**



7. Line up the Drawer Slides on the ② Drawer with the Slides on the ① Drawer Base and slide the Drawer in.

## MOUNTING

The DP-PRO Drawer Base has several slots in the Base. The pattern is designed to intersect with virtually any pattern of slots in a factory drill press table. **Figure 6.**

1. The DP-PRO Table has a 1/4" hole at the optimum position for location of the center of the press. Chuck a 1/4" drill bit in your chuck and adjust the table so the drill bit aligns with the hole in the table.

2. Find the outermost points where the slots in the Drawer Base align with the slots in your factory table. These are the optimum points for securing the Drawer Base to your factory table.

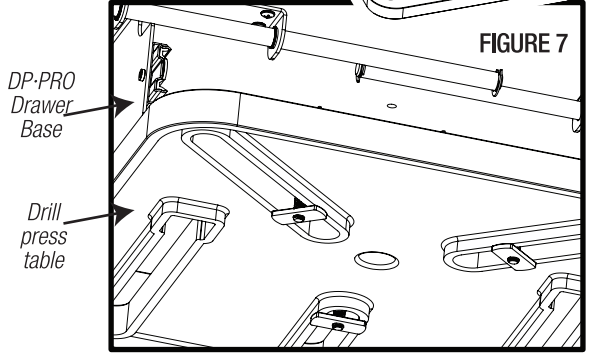
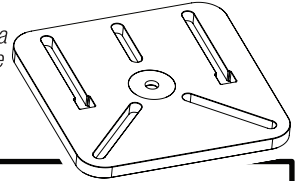
3. A variety of hardware has been supplied to attach your DP-PRO table to your factory drill press table. We have supplied two sizes of rectangular nuts.

A. In tables with through-slots, the larger (5/16"-18) should bridge across the slot as shown. **Figure 6/7.**

B. In drill press tables with T-slots, one size or the other should fit the slot as shown. **Figure 8/9.**

**FIGURE 6**

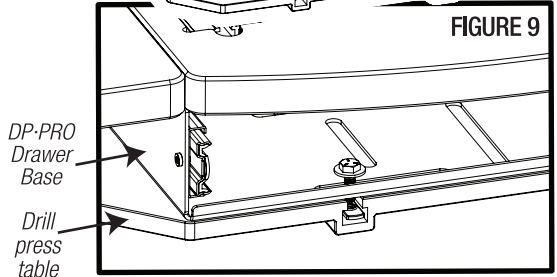
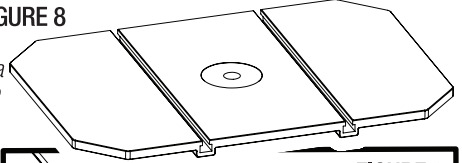
An example of a drill press table with thru slots.



**FIGURE 7**

**FIGURE 8**

An example of a drill press table with T-slots.



**FIGURE 9**

# **Woodpeckers<sup>®</sup>**

PRECISION WOODWORKING TOOLS

Woodpeckers, LLC Strongsville, Ohio · ***woodpeck.com***

© 2020 Woodpeckers, LLC



**WARNING!** This product can expose you to chemicals, including chromium, which is known to the State of California to cause cancer and birth defects or other reproductive harm. For more information go to [www.P65Warnings.ca.gov](http://www.P65Warnings.ca.gov)